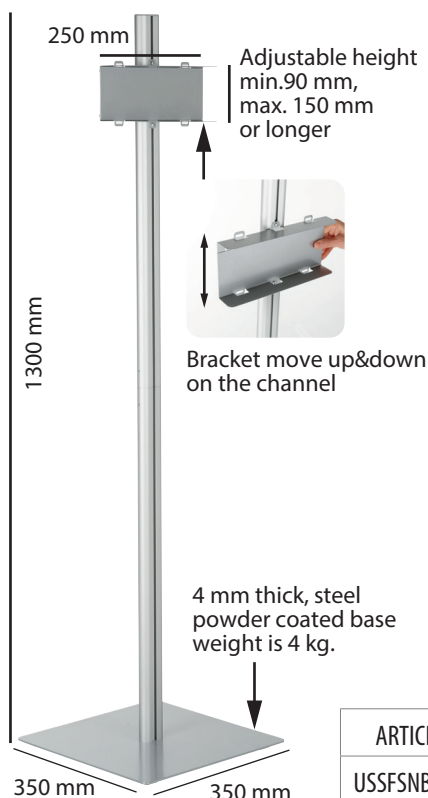
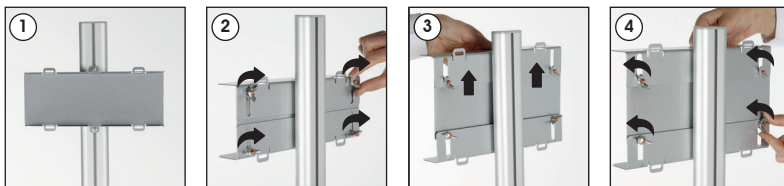


FLOOR STAND FOR HEALTHCARE DISPENSERS IN BOX

- The Floor Stand for Healthcare dispenser is designed to hold personal protection equipment boxes such as disposable glove, face mask, alcohol wet wipes or tissue easily.
- Dispenser size is adaptable for various box sizes available in the market. Max width of the box is 15 cm and min width of the box is 9 cm, that can be placed on the box dispenser. Any length of the box is available as long as the max weight of the box does not exceed 2 kg.
- Dispenser's position at height is also adjustable on the pole, moving up and down the channel of the aluminium post.
- If required an additional box dispenser can be added, allowing the stand to offer two dispensers at the same time.
- The boxes are mounted with 2 pcs of very tight weather- resistant velcro tape, which is replaceable if need be. The length of each velcro tape is 50 cm, and allows different box depths to be placed on the dispenser. When box is at max 15 cm width, the max depth of the box is 10 cm that can be placed in the dispenser.
- The station is suitable for use in high traffic areas such as supermarkets, pharmacies, banks, factories, construction sites, apartments and many more.
- 100% Made in Turkey by M&T Displays.
- Refilling is easy for maintenance staff, there is no lock for maintenance access.
- Easy to assemble: only 3 main parts
- Strong aluminum material suitable for indoor and outdoor.
- Supports different brands of all kind of disposable glove and tissue boxes etc (boxes not included).

Adjusting the height of the Mask / Gloves Holder



ARTICLE	DESCRIPTION
USSFSNB001	Floor stand for healthcare dispensers in box
UYPFsBN000	Additional Floor Stand For Box Dispenser Bracket

