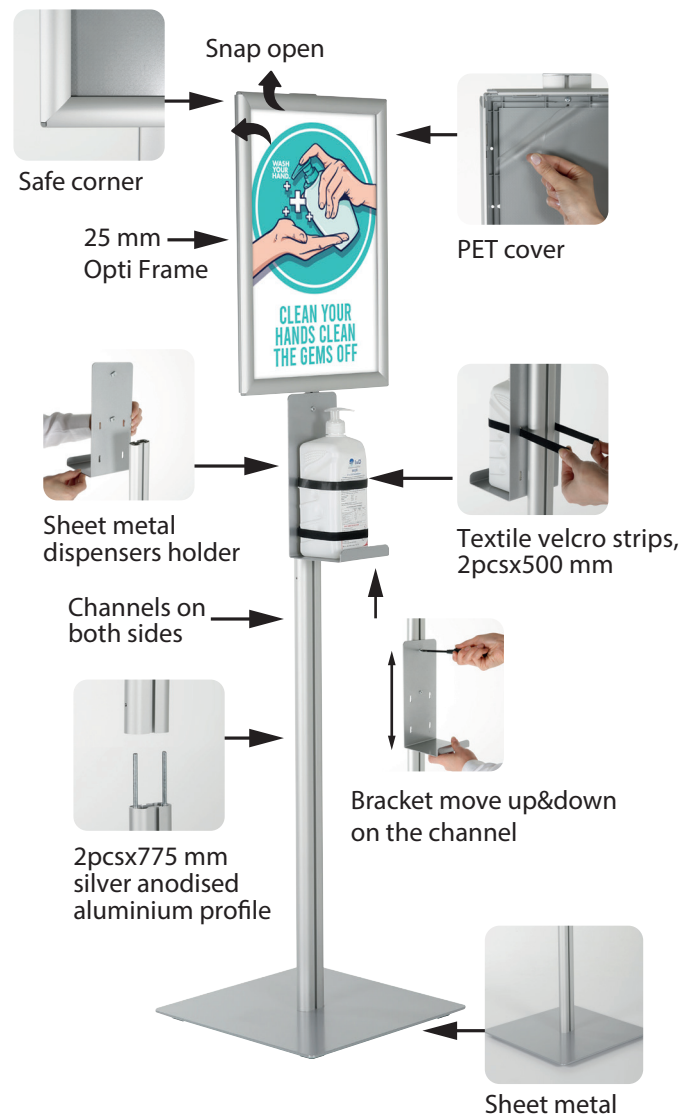
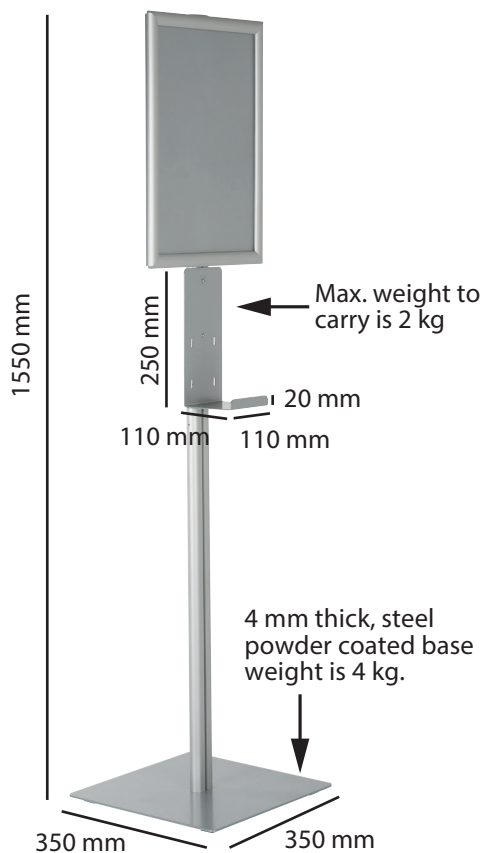


# FLOOR STAND FOR PUMP DISPENSERS WITH OPTI FRAME

- Floor Stand for Pump Dispensers is ideal for use with hand sanitizing or wipe dispensers.
- It is equipped with an aluminium A3 snap open opti frame and its anti-reflex poster protection for messages and hygiene rules to draw attention.
- Dispenser height is adaptable for various brands available in the market. Height of the bracket is 25 cm. Any height of dispenser can be used as long as the max weight does not exceed 2 kg on each bracket.
- Opti Frame's and Dispenser's position at height is also adjustable on the pole, moving up and down the channel of the aluminium post.
- If required an additional Opti Frame, box dispenser or pump dispenser bracket can be added, allowing the stand to offer two dispensers or 2 frames at the same time.
- The dispensers are mounted with 2 pcs of very tight weather- resistant

- velcro tape, which is replaceable if need be. The length of each velcro tape is 50 cm, and allows different dispenser depths or heights to be placed on the bracket. The dispenser placement at the bracket is 10 cm x 10 cm.
- The station is suitable for use in high traffic areas such as supermarkets, pharmacies, banks, factories, construction sites, apartments and many more.
- 100% Made in Turkey by M&T Displays.
- Refilling is easy for maintenance staff, there is no lock for maintenance access.
- Easy to assemble: only 4 main parts
- Strong aluminum material suitable for indoor and outdoor.
- Supports different brands of all kind of disposable wipes, tissue boxes and liquid sanitizers (boxes or dispensers not included).



ARTICLE	DESCRIPTION
USSFSN0002	Floor Stand for Hand Sanitizer Dispensers with A3 Opti Frame
UYPFSPN000	Additional Pump Dispenser Bracket
UYPFBSN000	Additional Box Dispenser Bracket