

360° ROTATING REFERENCE RACK



ORGANIZE YOUR POSTERS IN PET POCKETS FOR BUSY ENVIRONMENTS

360° rotating tabletop reference rack has capacity of 50 display pockets. Pockets and index tabs should be ordered separately. Suitable for places where various information is needed.

KEY SELECTION ATTRIBUTES

- * The table top rotating reference rack with a black sturdy plastic body.
- * Please don't forget to order poster pockets and tab insets separately.
- * Pocket frames in three color mix as red, black and grey.
- * 50 pockets in one rack, pockets are double sided.
- * Allows to display 100 different pages.



SUITABLE FOR

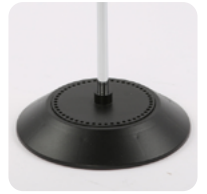
Reference Racks can be used for INDOOR applications, for signage needs in many locations like shopping centers, markets, hotels, offices airports, shops and stores, hospitals, schools, apartments and many more.

WATCH VIDEO

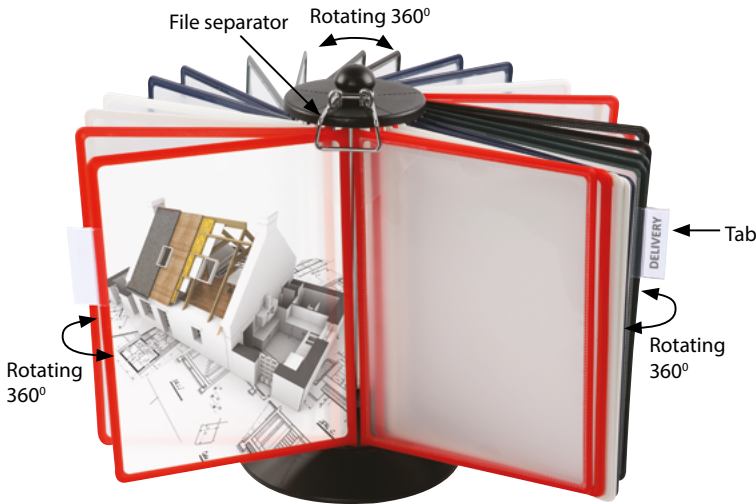


Watch video at our website
www.mtdisplays.com

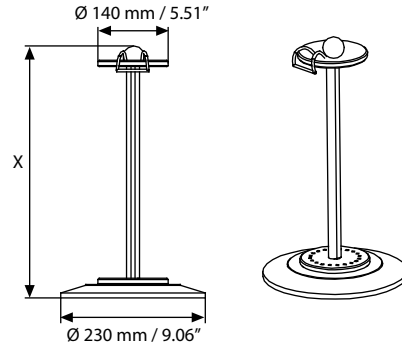
FEATURES



EXPLODED VIEW



TECHNICAL DRAWING

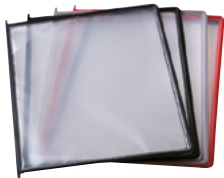


3600 Rotating Reference Rack with file separator.

ARTICLES

ARTICLE	PAPER SIZE	X	DESCRIPTION	WEIGHT	PACKING SIZE
				WITH PACKING	*W X H X D
TAB5897001	210 X 297 mm	415 mm	Black	2,620 kg	265 X 420 X 265 mm

OPTIONAL ACCESSORIES



Please don't forget to order. 10 pcs of 1 colour in a box.

POSTER POCKET			WEIGHT	PACKING SIZE(10 Pcs)
ARTICLE	PAPER SIZE	DESCRIPTION	WITH PACKING	*W X H X D
TAB0590304	210 X 297 mm	Red	0,550 kg	390 X 550 X 590 mm
TAB0590301	210 X 297 mm	Black	0,550 kg	390 X 550 X 590 mm
TAB0590309	210 X 297 mm	Grey	0,550 kg	390 X 550 X 590 mm



Tab & Inset. Please don't forget to order.
TAB5904003

PHYSICAL DATA

Material

Plastic body, plastic inserts, PET pockets with plastic frame.

Warranty

All products are guaranteed for 3 years by MT Displays with below conditions:
[Warranty Conditions](#)

Installation Considerations

Packed unassembled. Sturdy base for a stable and secure unit. Pockets and index tab&insets should be ordered separately.

Storage Conditions

Goods should be stored at 0° to 25°C in a dry place. Store in the original package.

Design Considerations

Holds 50 pockets at a time. Pockets available in Red, Black and Grey.

Cleaning and Disinfecting

Clean your displays, with damp microfiber clothes, rinsed with simply water or warm, soapy or gentle shampooed water. Avoid using vinegar, abrasive, acidic, alcohol-based or heavy cleaners or cleaners containing Ammonia. Only after cleaning the product, if needed, simply apply disinfectant or sanitizer that is in compliance with your local guidelines and regulations.

Poster Material & Thickness

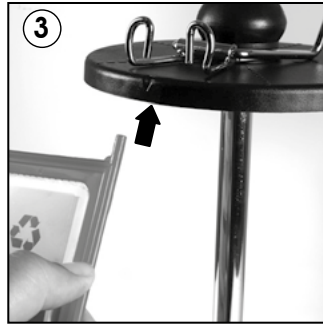
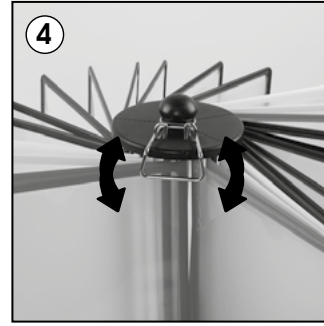
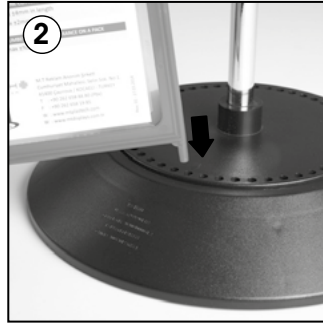
0,2-0,1mm for standard product. Max poster thickness is 1mm. Any non-standard poster thicknesses should be indicated with order.



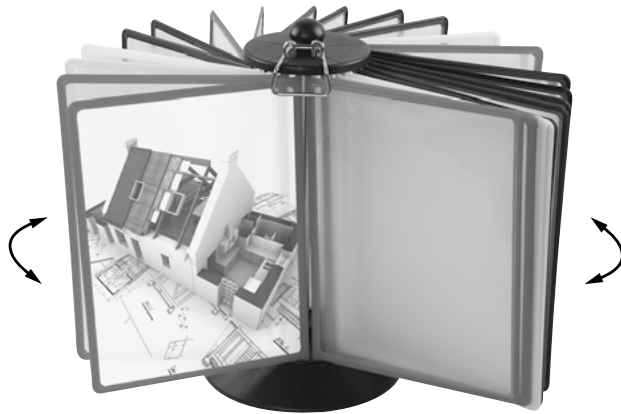
T: +90 850 433 67 85 / info@mtdisplays.com / www.mtdisplays.com

INSTALLATION INSTRUCTIONS

3600 Rotating Reference Rack / 1009938H000



CAUTION : PET Pockets are not included in the pack. Please don't forget to order.
Pockets in 3 colours (red, black, gray).
Each colour boxed in 10 pcs.



- Please inform the order number on the product or on the carton (e.g. 1/110001394-460) to the place that you have made the purchase if any problem with the product occurs.
- All rights reserved. All pictures, figures and writings are secured internationally by copy-right law. Infringements will be sued by civil and legal law.

This technical sheet's contents are all subject to update and modification at MT Displays' exclusive discretion. There is nothing official about this document. For final and legally binding information, please get in touch with the sales staff at MT Displays.



T: +90 850 433 67 85 / info@mtdisplays.com / www.mtdisplays.com