

AL MAKI



DOUBLE SIDED SIDEWALK SIGNS WITH HEAVY LONG FEET

A double-sided customer stopper, practical to change the poster within. A1, 500x700 mm, 700x1000 mm sizes are available. 32 mm profile, snap frame. Round or mitred corner options.

KEY SELECTION ATTRIBUTES

- * Double-sided Pavement Sign with 32mm frame Snap-Open design
- * Suitable for poster sizes A1, 500x700mm, 700x1000mm.
- * One set includes double sided snap open frames with round or mitred corner options, 2 anti-reflex poster covers and heavy long feet for keeping the system stable.

- * Natural silver-anodized, black in standard and various RAL colors available with antimicrobial powder coating.
- * Packed unassembled.



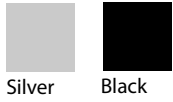
Round Corner



Mitred Corner



COLOURS IN STOCK



Silver Black

COLOUR OPTIONS

Black Anodised

White - RAL 9003

Red - RAL 3020

Green - RAL 6029

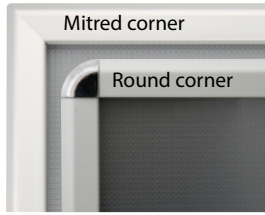
Silver Anodised

Black - RAL 9005

Blue - RAL 5002

Yellow - RAL 1021

CORNER TYPES



SUITABLE FOR

Al Maki signs can be used for INDOOR and OUTDOOR applications, for signage needs in many locations like shopping centers, markets, groceries, hotels, offices airports, shops and stores, hospitals, schools, apartments and many more.

WATCH VIDEO

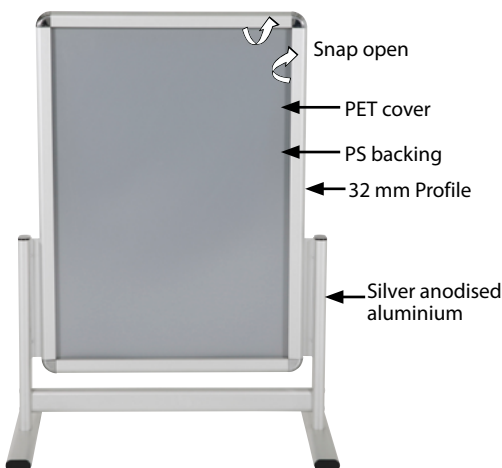


Watch video at our website www.mtdisplays.com

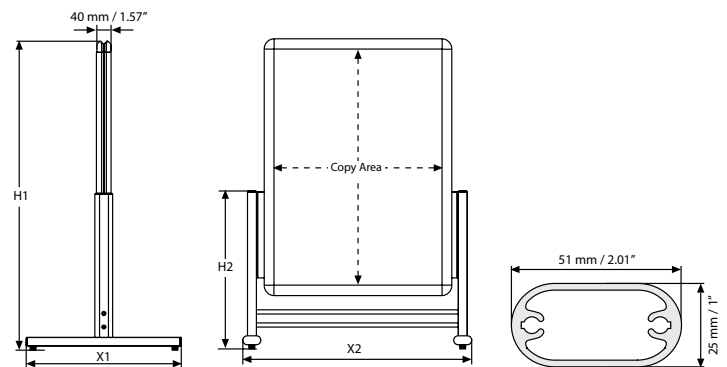
FEATURES



EXPLODED VIEW



TECHNICAL DRAWING



ARTICLES

| ARTICLE | POSTER | X1 | X2 | H1 | H2 | WEIGHT | PACKING SIZE |
|------------|---------------|--------|--------|---------|--------|--------------|-------------------------|
| | | | | | | WITH PACKING | *W X H X D |
| UAM321CNA1 | 594 X 841 mm | 700 mm | 760 mm | 1030 mm | 540 mm | 8,250 kg | 750 X 1080 X 70 mm |
| UAM321CNB2 | 500 X 700 mm | 550 mm | 660 mm | 880 mm | 460 mm | 6,000 kg | 600 X 850 X 70 mm |
| UAM321CNB1 | 700 X 1000 mm | 700 mm | 860 mm | 1180 mm | 540 mm | 14,100 kg | 840 X 1240 X 70 mm |
| UAM321CN22 | 22" X 28" | 24.41" | 28.35" | 34.65" | 18.11" | 13.668 lbs | 25.98" X 33.46" X 2.76" |

PHYSICAL DATA

Material

32mm aluminium profile click clack snap open frame, PET anti-reflex poster cover, PS backing and 51x25mm silver anodised aluminum profile feet.

Poster Material & Thickness

0,10 – 0,20 mm for standard product. Max poster thickness 3 mm for mitred corner, 2 mm for round corner. Any non-standard poster thicknesses should be indicated with order.

Surface Finish

Natural silver-anodized, or black in standard and various RAL colors available with antimicrobial powder coating. Call for custom color requests.

Recycled Content

Up to 78% recycled content used.

Warranty

All products are guaranteed for 3 years by MT Displays with below conditions: [Warranty Conditions](#).

Installation Considerations

Al Maki Signs are packed unassembled with an easy-to-understand instruction sheet & fixing set. One set includes double sided snap open frames, 2 anti-reflex poster covers, PS backing and heavy long feet on the base. Suitable for rainy conditions, protect the poster within. Thick & solid backing for outdoor use.

Storage Conditions

Goods should be stored at 0° to 25°C in a dry place. Store in the original package.

Design Considerations

Double-sided Pavement Sign with "Click Clack" snap-open design. Suitable for silk screen printing, max. letter height is 16 mm. Suitable for A1, 500x700mm, 700x1000mm poster sizes with round or mitred corner options. Heavy long feet on the base provides stability.

Cleaning and Disinfecting

Clean your displays, with damp microfiber clothes, rinsed with simply water or warm, soapy or gentle shampooed water. Avoid using vinegar, abrasive, acidic, alcohol-based or heavy cleaners or cleaners containing Ammonia. Only after cleaning the product, if needed, simply apply disinfectant or sanitizer that is in compliance with your local guidelines and regulations.



T: +90 850 433 67 85 / info@mtdisplays.com / www.mtdisplays.com

PRINT TEMPLATES

AI Maki - A1

Document Size: 604 x 851 mm (Includes Bleeds)

Finished Size: A1 (594 x 841 mm) [Print](#)

AI Maki - B1

Document Size: 710 x 1010 (Includes Bleeds)

Finished Size: B1 (700 x 1000 mm) [Print](#)

AI Maki - B2

Document Size: 510 x 710 (Includes Bleeds)

Finished Size: B2 (500 x 700 mm) [Print](#)

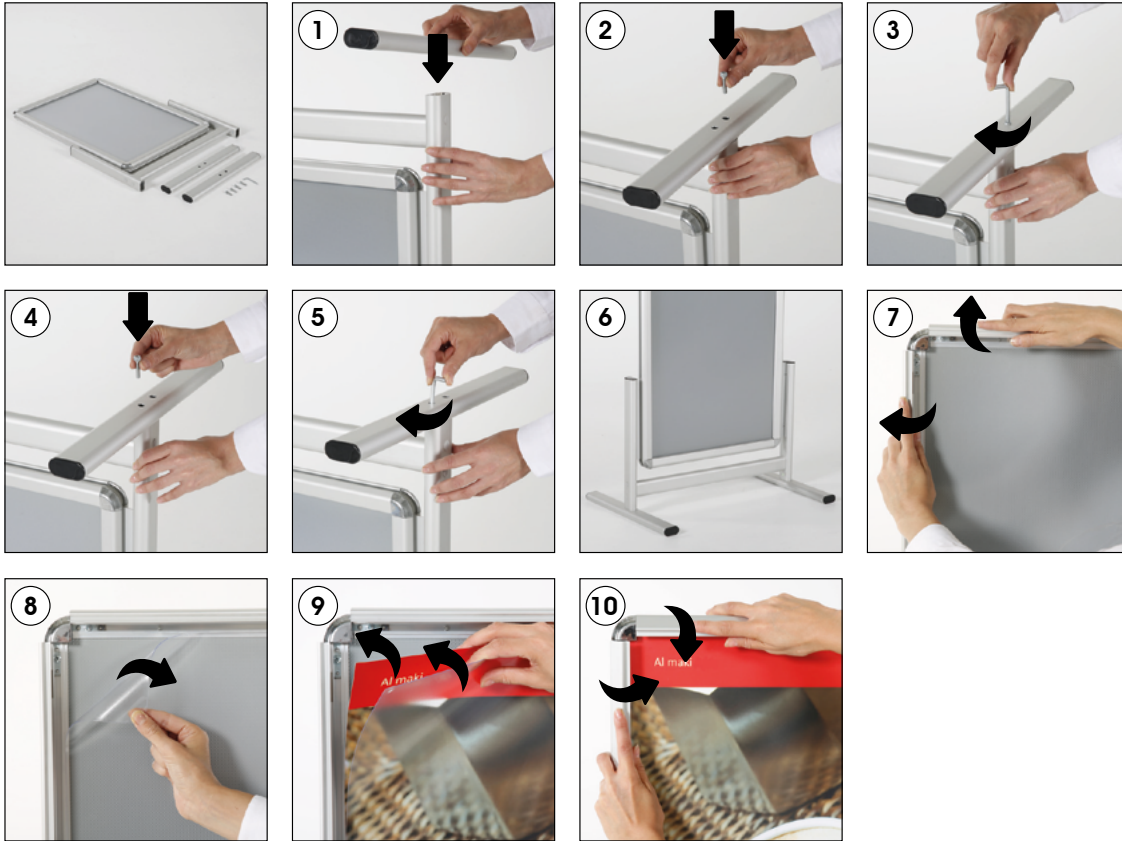
AI Maki - 22" x 28"

Document Size: 22.4" x 28.4" (Includes Bleeds)

Finished Size: 22" x 28" (558.8 x 711.2 mm)

INSTALLATION INSTRUCTIONS

AI Maki / 1001885



Each AI Maki includes mounting accessories
(4 screws & 1 allen key)

- Please inform the order number on the product or on the carton (e.g. 1/110001394-460) to the place that you have made the purchase if any problem with the product occurs.
- All rights reserved. All pictures, figures and writings are secured internationally by copy-right law. Infringements will be sued by civil and legal law.



This technical sheet's contents are all subject to update and modification at MT Displays' exclusive discretion. There is nothing official about this document. For final and legally binding information, please get in touch with the sales staff at MT Displays.



T: +90 850 433 67 85 / info@mtdisplays.com / www.mtdisplays.com