

## BROCHURE SETS FOR WALL



### SINGLE SIDED BROCHURE HOLDERS WITH ACRYLIC SHELVES

A brochure holder designed to keep minimum 6 / maximum 32 brochures at the same time in stores, galleries and banks. When used with 4 wheels it is free and mobile. Single or double-faced options are available. Transparent shelves are made of 4 mm acrylic, the legs are made of aluminum.

### KEY SELECTION ATTRIBUTES

- \* Single-sided, wall mounting brochure holders with acrylic shelves for keeping minimum 8 brochures at the same time.
- \* Suitable for INDOOR public spaces with brochure holding capacity of 8x4.
- \* One set includes 4 single sided transparent shelves made of 4mm acrylic, 25x51 mm anodised aluminium profile main body with round corners and 1450 mm height, 8 screws and 8 anchors for wall mounting.

- \* In case if needed, additional single sided acrylic shelves can be ordered separately.
- \* Natural silver-anodized in standard and various RAL colors available with antimicrobial powder coating.
- \* The product is packed unassembled with an easy-to understand instruction sheet & fixing elements. Shelves are packed separately in a protected box.



## COLOURS IN STOCK



Silver

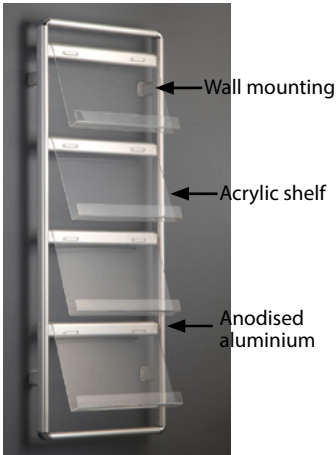
## SUITABLE FOR

Brochure Sets can be used for INDOOR applications, for displaying brochures in many locations like shopping centers, markets, groceries, hotels, offices airports, shops and stores, hospitals, schools, apartments, restaurants, halls, meeting rooms, gas stations and many more.

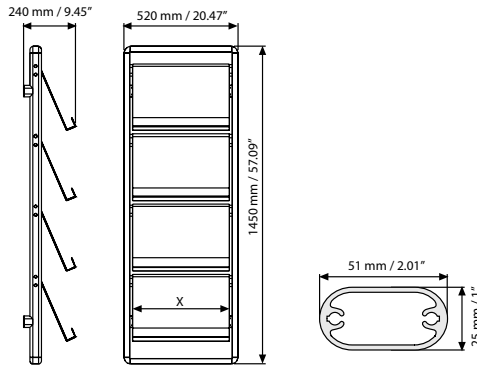
## FEATURES



## EXPLODED VIEW



## TECHNICAL DRAWING



## ARTICLES

ARTICLE	CAPACITY	WEIGHT	PACKING SIZE
		WITH PACKING	*W X H X D
UBSSD10N24	8 X A4	13,000 kg	550 X 1500 X 130 mm

## PHYSICAL DATA

### Material

Material  
Acrylic shelves, 25x51 mm aluminium profile main body and feet.

### Surface Finish

Natural silver-anodized in standard and various RAL colors available with antimicrobial powder coating. Call for custom color requests.

### Recycled Content

Up to 78% recycled content used.

### Storage Conditions

Goods should be stored at 0° to 25°C in a dry place. Store in the original package.

### Warranty

All products are guaranteed for 3 years by MT Displays with below conditions:  
[Warranty Conditions](#)

### Installation Considerations

Brochure sets are packed unassembled with an easy-to understand instruction sheet & fixing elements. Shelves are packed separately in a protected box. One set includes 4 single sided transparent shelves made of 4mm acrylic, 25x51 mm anodised aluminium profile main body with round corners and 1450 mm height, 8 screws and 8 anchors for wall mounting. In case if needed, additional single sided acrylic shelves can be ordered separately

### Cleaning and Disinfecting

Clean your displays, with damp microfiber clothes, rinsed with simply water or warm, soapy or gentle shampooed water. Avoid using vinegar, abrasive, acidic, alcohol-based or heavy cleaners or cleaners containing Ammonia. Only after cleaning the product, if needed, simply apply disinfectant or sanitizer that is in compliance with your local guidelines and regulations.

### Design Considerations

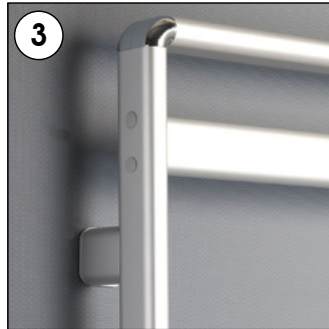
Single-sided, wall mounting brochure holders with acrylic shelves for keeping minimum 8 brochures at the same time. Suitable for INDOOR public spaces with brochure holding capacity of 8xA4.



T: +90 850 433 67 85 / [info@mtdisplays.com](mailto:info@mtdisplays.com) / [www.mtdisplays.com](http://www.mtdisplays.com)

# INSTALLATION INSTRUCTIONS

Brochure Sets for Wall / 1001918



Each product package includes mounting accessories

- 1 x Brochure set main body
- 8 x Anchor Ø6 mm
- 8 x Screw 3,9x60 mm
- 4 x Acrylic shelf



- Please inform the order number on the product or on the carton (e.g. 1/110001394-460) to the place that you have made the purchase if any problem with the product occurs.
- All rights reserved. All pictures, figures and writings are secured internationally by copy-right law. Infringements will be sued by civil and legal law.

This technical sheet's contents are all subject to update and modification at MT Displays' exclusive discretion. There is nothing official about this document. For final and legally binding information, please get in touch with the sales staff at MT Displays.



T: +90 850 433 67 85 / [info@mtdisplays.com](mailto:info@mtdisplays.com) / [www.mtdisplays.com](http://www.mtdisplays.com)