

BUY MAX LEDBOX SINGLE SIDED



LONG LASTING AND COST SAVING AD SIGNS WITH HOMOGENOUS ILLUMINATION

Ultra slim single sided Buy Max LEDbox with 18 mm thickness is an attractive custom sign solution for a wide range of indoor applications. 25 mm profile Snap Frame makes the change of poster easy. Even illumination is achieved by specially treated acrylic.. Illuminated Buy Max LEDbox will capture the attention of passersby easily wherever it is mounted.

KEY SELECTION ATTRIBUTES

- * Single-sided, wall hanging, edge-lit lightbox with easy and slim snap open frame and long lasting LED technology bulbs.
- * One of the thinnest lightboxes in the market with 18mm depth.
- * Suitable for A1, A2, A3, A4, B1, B2, 20"x30", 30"x40" size posters in portrait and landscape position.
- * Suitable for INDOOR applications for high-traffic areas, because it doesn't obstruct walking paths.
- * High powerful illumination is achieved by specially treated acrylic and provides homogenous illumination.
- * LED bulbs are not seen from outside, since they are embedded in sides of the frame.
- * Gives an impressive effect to grab the passers-by.
- * Besides being less expensive, saves up to 60% energy costs, resulting in cost saving both initially and after overall usage.
- * Supplied with quality certificates and CE/UL PAT test reports passed.
- * Black and natural silver-anodized in standard and various RAL colors available with antimicrobial powder coating.
- * One set includes a single sided 25mm snap open frame with 18mm depth and embedded LED bulbs, specially treated acrylic non-glare PET lens to diffuse light across graphics, 1 anti-reflex PET poster cover, 2 wall hangers, 4 screws, 4 anchors, 1 power adapter (12V-2A) with 2,5 meter long cable and 1 EU Plug. UK and US plugs are available, should be specified with order. All electrical components are CE listed.
- * 2 wall hangers are standard in each product. Moving hangers let the mounting in portrait and landscape position.
- * Optional dimmer is available. Adjusting the light from dark to max lux of LED illuminated frame.
- * Easy to load and re-load posters, with easy snap open framing. Simply snap up all four sides of the frame and easily insert your poster or take out.
- * Packed in a single box with an easy mounting instruction sheet & fixing set. No tool assembly is required. See info chart for pack sizes.
- * Has no switch. Complete with built-in power supply, anti-reflex poster cover and wall plugs.
- * For using LED frame 24 hours in 7 days, please ask for special 7/24 power supplies.



Silver



Black

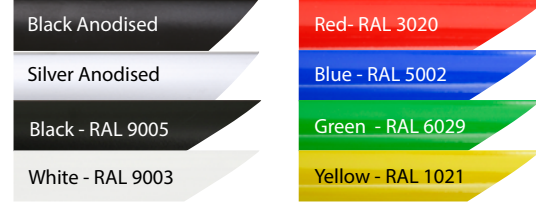


COLOURS IN STOCK



Silver Black

COLOUR OPTIONS



CORNER TYPES



WATCH VIDEO



Watch video at our website
www.mtdisplays.com

SUITABLE FOR

Best Buy LEDbox can be used for a wide range of INDOOR applications, for signage needs in many locations like retail point-of-purchase, tradeshow displays, movie theatres, sports facilities, shopping malls, markets, groceries, hotels, airports, shops and stores, hospitals, restaurants, halls, meeting, rooms, gas stations, casinos, and more.

FEATURES



EXPLODED VIEW

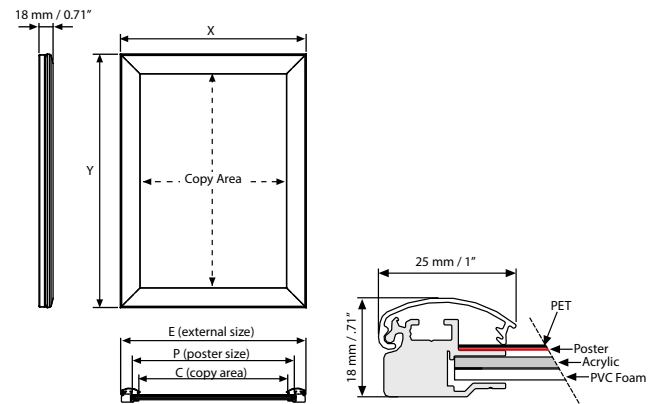
Snap open



2 wall hangers are standard in each product. Moving hangers let the mounting in portrait and landscape position.

1 m cable

TECHNICAL DRAWING



ARTICLES

SILVER	BLACK	EXTERNAL (x-y)	POSTER	COPY	LIGHTING	WEIGHT	PACKING SIZE
						WITH PACKING	*W X H X D
ULM25TN0A4	ULM25TB0A4	242 X 329 mm	210 X 297 mm	190 X 277 mm	1300-1500 LUX	1,050 kg	255 X 400 X 35 mm
ULM25TN0A3	ULM25TB0A3	329 X 452 mm	297 X 420 mm	277 X 400 mm	1200-1400 LUX	1,550 kg	345 X 520 X 35 mm
ULM25TN0A2	ULM25TB0A2	452 X 626 mm	420 X 594 mm	400 X 574 mm	900-1100 LUX	2,500 kg	465 X 695 X 35 mm
ULM25TN0A1	ULM25TB0A1	626 X 873 mm	594 X 841 mm	574 X 821 mm	1300-1500 LUX	4,500 kg	640 X 960 X 35 mm
ULM25TN0B2	ULM25TB0B2	532 X 732 mm	500 X 700 mm	480 X 680 mm	1100-1300 LUX	3,150 kg	545 X 800 X 35 mm
ULM25TN0B1	ULM25TB0B1	732 X 1032 mm	700 X 1000 mm	680 X 980 mm	1400-1600 LUX	5,800 kg	745 X 1100 X 35 mm
ULM25TN017	ULM25TB017	12.20" X 18.19"	11" X 17"	10.20" X 16.18"			
ULM25TN022	ULM25TB022	23.19" X 29.21"	22" X 28"	21.18" X 27.20"			
ULM25TN023	ULM25TB023	21.18" X 31.18"	20" X 30"	19.17" X 29.17"	1200-1300 LUX	6.944 lbs	21.85" X 33.86" X 1.38"
ULM25TN024	ULM25TB024	25.20" X 37.20"	24" X 36"	23.19" X 35.20"			
ULM25TN034	ULM25TB034	31.18" X 41.18"	30" X 40"	29.17" X 39.17"	1100-1300 LUX	14.219 lbs	31.89" X 43.90" X 1.38"

OPTIONAL ACCESSORIES



Optional dimmer to go with LED illuminated frame.. Simply jack the dimmer in frame and then into powersupply. It adjust the light from dark to max lux of LED illuminated frame.
UYUP445550



T: +90 850 433 67 85 / info@mtdisplays.com / www.mtdisplays.com

PHYSICAL DATA

Material

25mm aluminium profile snap open frame with 18 mm depth, PET anti-reflex poster cover, acrylic backing, LED bulbs.

Poster Material & Thickness

0,10 – 0,20 mm for standard product. Max poster thickness 2 mm. Any non-standard poster thicknesses should be indicated with order.

Surface Finish

Black or natural silver-anodized in standard and various RAL colors available with antimicrobial powder coating. Call for custom color requests.

Recycled Content

Up to 78% recycled content used.

Storage Conditions

Goods should be stored at 0° to 25°C in a dry place. Store in the original package.

Warranty

All products are guaranteed for 3 years by MT Displays with below conditions:

[Warranty Conditions](#)

Design Considerations

Single-sided, wall hanging, edge-lit lightbox with easy and slim snap open frame and long lasting LED technology bulbs. One of the thinnest lightboxes in the market with 18mm depth. Suitable for A1, A2, A3, A4, B1, B2, 20"x30", 30"x40" size posters in portrait and landscape position. 2 wall hangers are standard in each product. Moving hangers let the mounting in portrait and landscape position. Suitable for INDOOR applications for high-traffic areas, because it doesn't obstruct walking paths. Highly powerful illumination is achieved by specially treated acrylic and provides homogenous illumination. LED bulbs are not seen from outside, since they are embedded in sides of the frame. Gives an impressive effect to grab the passers-by. Besides being less expensive, saves up to 60% energy costs, resulting in cost saving both initially and after overall usage. Easy to load and re-load posters, with easy snap open framing. Simply snap up all four sides of the frame and easily insert your poster or take out. Suitable for silk screen printing, max. letter height is 15 mm.

Installation Considerations

Buy Max LEDbox Single Sided is packed a single box with an easy mounting instruction sheet & fixing set. No tool assembly is required. See info chart for pack sizes. Supplied with quality certificates and CE/UL PAT test reports passed. One set includes a single sided 25mm snap open frame with 18mm depth and embedded LED bulbs, specially treated acrylic non-glare PET lens to diffuse light across graphics, 1 anti-reflex PET poster cover, 2 wall hangers, 4 screws, 4 anchors, 1 power adapter (12V-2A) with 2,5 meter long cable and 1 EU Plug. UK and US plugs are available, should be specified with order. All electrical components are CE listed. Has no switch, supplied with built-in powersupply, helping long product life. Optional dimmer is available, adjusting the light from dark to max lux of LED illuminated frame. For using LED frame 24 hours in 7 days, please ask for special 7/24 power supplies. Suitable for maximum 35°C Indoor temperature (incl. daily sunny hours.) It should be assembled 30 cm from the window.

Cleaning and Disinfecting

Clean your displays, with damp microfiber clothes, rinsed with simply water or warm, soapy or gentle shampooed water. Avoid using vinegar, abrasive, acidic, alcohol-based or heavy cleaners or cleaners containing Ammonia. Only after cleaning the product, if needed, simply apply disinfectant or sanitizer that is in compliance with your local guidelines and regulations.

PRINT TEMPLATES

Buy Max LEDbox - A4

Document Size: 220 x 307 mm (Includes Bleeds)
Finished Size: A4 (210 x 297 mm) [Print](#)

Buy Max LEDbox - A3

Document Size: 307 x 430 mm (Includes Bleeds)
Finished Size: A3 (297 x 420 mm) [Print](#)

Buy Max LEDbox - A2

Document Size: 430 x 604 mm (Includes Bleeds)
Finished Size: A2 (420 x 594 mm) [Print](#)

Buy Max LEDbox - A1

Document Size: 604 x 851 mm (Includes Bleeds)
Finished Size: A1 (594 x 841 mm) [Print](#)

Buy Max LEDbox - B2

Document Size: 510 x 710 mm (Includes Bleeds)
Finished Size: B2 (500 x 700 mm) [Print](#)

Buy Max LEDbox - B1

Document Size: 710 x 1010 mm (Includes Bleeds)
Finished Size: B1 (700 x 1000 mm) [Print](#)

Buy Max LEDbox - 11"x17"

Document Size: 11.4" x 17.4" (Includes Bleeds)
Finished Size: 11"x17" (279.4x431.8 mm) [Print](#)

Buy Max LEDbox - 20"x30"

Document Size: 20.4" x 30.4" (Includes Bleeds)
Finished Size: 20"x30" (508x762 mm) [Print](#)

Buy Max LEDbox - 22"x28"

Document Size: 22.4" x 28.4" (Includes Bleeds)
Finished Size: 22"x28" (558.8x711.1 mm) [Print](#)

Buy Max LEDbox - 24"x36"

Document Size: 24.4" x 36.4" (Includes Bleeds)
Finished Size: 24"x36" (609.6x914.4 mm) [Print](#)

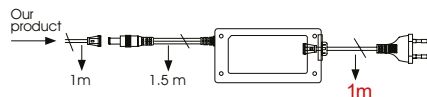
Buy Max LEDbox - 30"x40"

Document Size: 30.4" x 40.4" (Includes Bleeds)
Finished Size: 30"x40" (762x1016 mm) [Print](#)

ILLUMINATED PRODUCTS TECHNICAL MANUAL

POWER SUPPLY

- 12 V DC
- Complete with power supply
- 2 year guaranteed
- 7/16 use
- If 7/24 use required, please order individually.



CABLE

Delivered with 3,5 meter long cable and EU plug. UK, US or CH plugs should be specified with order. Extension cable: 1 mm, 2 mm, 3 mm.



TECHNICAL SPECIFICATION

ARTICLE	POSTER	ACRYLIC THICKNESS	ILLUMINATION	POWER CONSUMPTION	POWER SUPPLY RECOMMENDED
ULB25TND0A4	210 X 297 mm	3 mm	3000-3300 LUX	7 W / 0.58 A	1 A
ULB25TND0A3	297 X 420 mm	3 mm	2800-3000 LUX	11 W / 0.91 A	1 A
ULB25TND0A2	420 X 594 mm	3 mm	2400-2700 LUX	14 W / 1.16 A	2 A
ULB25TND0A1	594 X 841 mm	4 mm	1900-2100 LUX	21 W / 1.75 A	2 A
ULB25TND0A0	841 X 1189 mm	4 mm	1500-1800 LUX	29 W / 2.4 A	3 A
ULB25TNOB2	500 X 700 mm	3 mm	2100-2400 LUX	17 W / 1.41 A	2 A
ULB25TNOB1	700 X 1000 mm	4 mm	1700-2000 LUX	25 W / 2.08 A	3 A
ULB25TNO17	280 X 432 mm	3 mm	2800-3000 LUX	10 W / 0.84 A	1 A
ULB25TNO22	559 X 712 mm	3 mm	2000-2200 LUX	17.6 W / 1.5 A	2 A
ULB25TNO23	508 X 762 mm	3 mm	2200-2500 LUX	17 W / 1.41 A	2 A
ULB25TNO24	610 X 915 mm	4 mm	1900-2100 LUX	22.5 W / 1.9 A	3 A
ULB25TNO34	762 X 1016 mm	4 mm	1700-2000 LUX	25 W / 2.08 A	3 A

HANGER



2 wall hangers are standard in each product. Moving hangers let the mounting in portrait and landscape position.

LED FEATURES (Duris E3)

Viewing angle at 50 % IV: 120°
Color: 2700 K - 6500 K (warm, neutral and cool white)
CRI: Min. 80
Luminous Flux: Typ. 30 lm @ 5000 K
Luminous efficacy: Typ. 153 lm/W @ 5000 K
Lumen Maintenance: Testing according to IESNA LM-80 in progress
Life Time : 50.000 Hours
Colour: 5700 K -6500 K (White)*
*For special inquired colour is available in 2700 K -6500 K

ASSEMBLY SHEET

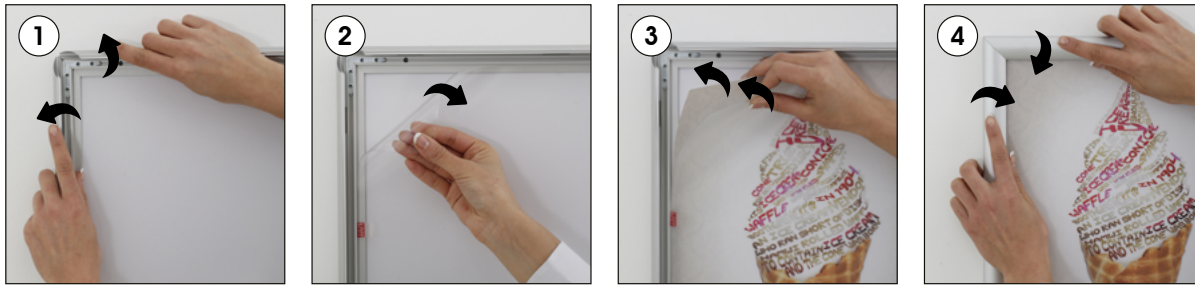


T: +90 850 433 67 85 / info@mtdisplays.com / www.mtdisplays.com

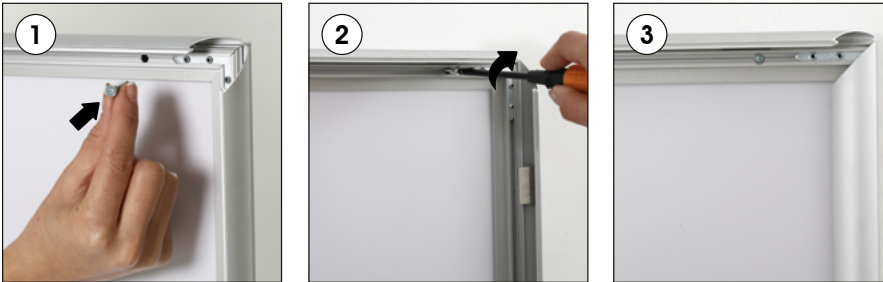
INSTALLATION INSTRUCTIONS

Buy Max LEDbox Single Sided / 1010993H000

Poster

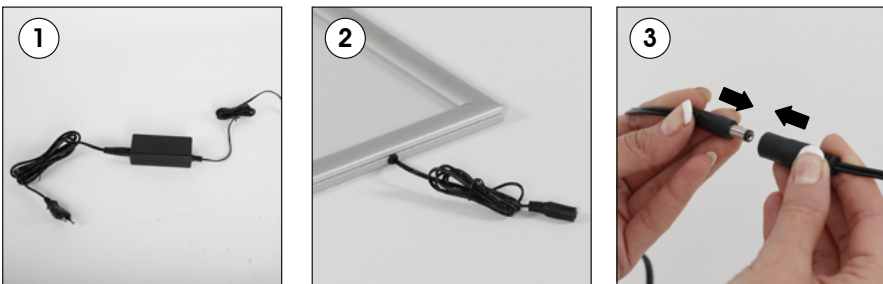


Screw & anchor mounting



Each LED frame includes wall mounting accessories (4 screws & 4 anchors)

Power Supply



Caution!

- 1-Do not step on the light panel nor place the heavy object on the light panel.
- 2-Do not pull the cable with excessive force.
- 3-Use correct capacity and voltage of D.C. power supply. Failure to observe this instruction could result in breakdown.
- 4-Do not touch the light panel or electrical devices with wet hand. Failure to observe this instruction could result in electrical shocks and severe injuries.
- 5-Do not subject this light panel to outdoor, high humid and vaporized area. Failure to observe this instruction could result in breakdown.
- 6-Keep this out of the direct rays of the sun. Failure to observe this instruction could result in color changes of acrylic plate.
- 7-Keep away from fire or severe hot place. Acceptable ambient temperature is max.35°C. Failure to observe this instruction could result in shorten the life time and degradation of brightness of LED light source.

- Please inform the order number on the product or on the carton (e.g. 1/110001394-460) to the place that you have made the purchase if any problem with the product occurs.
- All rights reserved. All pictures, figures and writings are secured internationally by copy-right law. Infringements will be sued by civil and legal law.



This technical sheet's contents are all subject to update and modification at MT Displays' exclusive discretion. There is nothing official about this document. For final and legally binding information, please get in touch with the sales staff at MT Displays.



T: +90 850 433 67 85 / info@mtdisplays.com / www.mtdisplays.com