

COUNTER SLIDE-IN FRAMES



LONG LASTING AND LESS EXPENSIVE THAN CONVENTIONAL

A new model of counter stand slide-in frame. Practical to change posters by sliding them in & out. Ready for shipment with 2 PET covers, an end plastic wick on the open side & a double-sided tape at the bottom feet. This product is delivered in the landscape position for standard articles. An optional portrait position is available. The frame is suitable for outdoor use when equipped with a sealing rubber on the open edge. The sealing rubber is supplied free of charge with every unit.

KEY SELECTION ATTRIBUTES

- Ideal poster sizes available in standard A5 to A3.
- Custom sizes options ranging from a minimum of A4 to a maximum of A2 landscape.
- Natural silver-anodized and various RAL colors are available with antimicrobial powder coating.
- Anti-glare poster cover sheet.
- Sealing rubber included.
- Standard landscape, portrait.
- Easy poster changing by "peel&stick" fixing.



A4 size portrait



A4 size landscape



COLOURS IN STOCK



Silver

COLOUR OPTIONS

Ral9005 Black

White - RAL 9003

Red - RAL 3020

Blue - RAL 5002

Green - RAL 6029

Yellow - RAL 1021

SUITABLE FOR

Counter Slide-in Frames can be used for INDOOR or OUTDOOR applications under a top shelter, for publishing various messages in different business environments and all sectors where traffic is open to public spaces like shopping centers, markets, groceries, hotels, offices airports, shops and stores, hospitals, schools, apartments, restaurants, halls, meeting rooms, gas stations and many more.

WATCH VIDEO

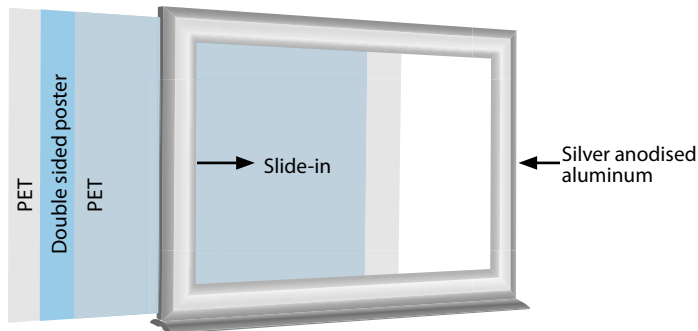


Watch video at our website
www.mtdisplays.com

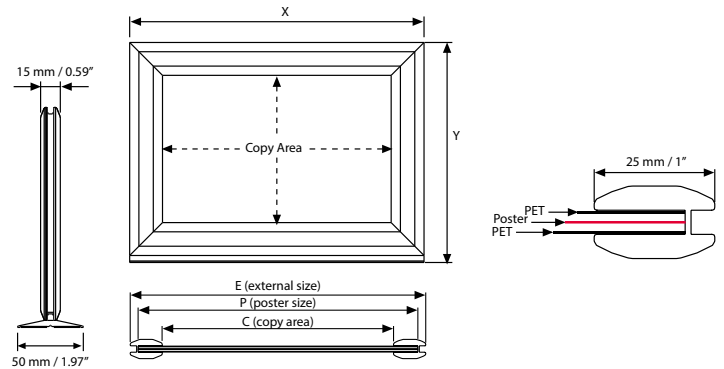
FEATURES



EXPLODED VIEW



TECHNICAL DRAWING



ARTICLES

PORTRAIT	ARTICLE	EXTERNAL(x-y)	POSTER	COPY
	UCA255N1A5	162 X 229 mm	148 X 210 mm	112 X 174 mm
	UCA255N1A4	224 X 316 mm	210 X 297 mm	174 X 261 mm
	UCA255N1A3	311 X 439 mm	297 X 420 mm	261 X 384 mm
	UCA255N181	9.06" X 11.77"	8.5" X 11"	7.09" X 9.61"
	UCA255N117	11.57" X 17.76"	11" X 17"	9.61" X 15.59"

WEIGHT	PACKING SIZE
WITH PACKING	*W X H X D
0,652 kg	190 X 270 X 65 mm
0,862 kg	260 X 360 X 65 mm
1,204 kg	340 X 470 X 65 mm
1,720 lbs	10.63" X 13.78" X 2.76"
2,654 lbs	12.20" X 18.11" X 2.36"

LANDSCAPE	ARTICLE	EXTERNAL(x-y)	POSTER	COPY
	UCA255N2A5	224 X 167 mm	210 X 148 mm	174 X 112 mm
	UCA255N2A4	311 X 229 mm	297 X 210 mm	261 X 174 mm
	UCA255N2A3	434 X 316 mm	420 X 297 mm	384 X 261 mm
	UCA255N281	9.06" X 11.77"	8.5" X 11"	7.09" X 9.61"
	UCA255N217	11.57" X 17.76"	11" X 17"	9.61" X 15.59"

WEIGHT	PACKING SIZE
WITH PACKING	*W X H X D
0,652 kg	190 X 270 X 65 mm
0,862 kg	260 X 360 X 65 mm
1,204 kg	340 X 470 X 65 mm
1,720 lbs	10.63" X 13.78" X 2.76"
2,654 lbs	12.20" X 18.11" X 2.36"

PHYSICAL DATA

Material

25 mm aluminum profiles.
2 PET poster covers.

Surface Finish

Silver anodized or black colour, antimicrobial powder coating. Custom colors also available, call for custom color requests.

Recycled Content

Up to 70% recycled content used.

Storage Conditions

Goods should be stored at 0° to 25°C in a dry place. Store in the original package.

Warranty

All products are guaranteed for 2 years by MT Displays with below conditions:
[Warranty Conditions](#)

Installation Considerations

Please clean the surface before applying the double sided tape for better application.

Design Considerations

Suitable for silk screen printing, max. letter height is 9 mm.

Cleaning and Disinfecting

Clean your displays, with damp microfiber clothes, rinsed with simply water or warm, soapy or gentle shampooed water. Avoid using vinegar, abrasive, acidic, alcohol-based or heavy cleaners or cleaners containing Ammonia. Only after cleaning the product, if needed, simply apply disinfectant or sanitizer that is in compliance with your local guidelines and regulations.

Poster Material & Thickness

0,10-0,20mm for standard product. Max poster thickness is 3mm when used with PET poster protection and 4,5mm when used without PET protection. Any non-standard poster thicknesses should be indicated with order.

PRINT TEMPLATES

Counter Slide-in Frame - A5

Document Size: 158 x 220 mm (Includes Bleeds)
Finished Size: A5 (148 x 210 mm) [Print](#)

Counter Slide-in Frame - A4

Document Size: 220 x 307 mm (Includes Bleeds)
Finished Size: A4 (210 x 297 mm) [Print](#)

Counter Slide-in Frame - A3

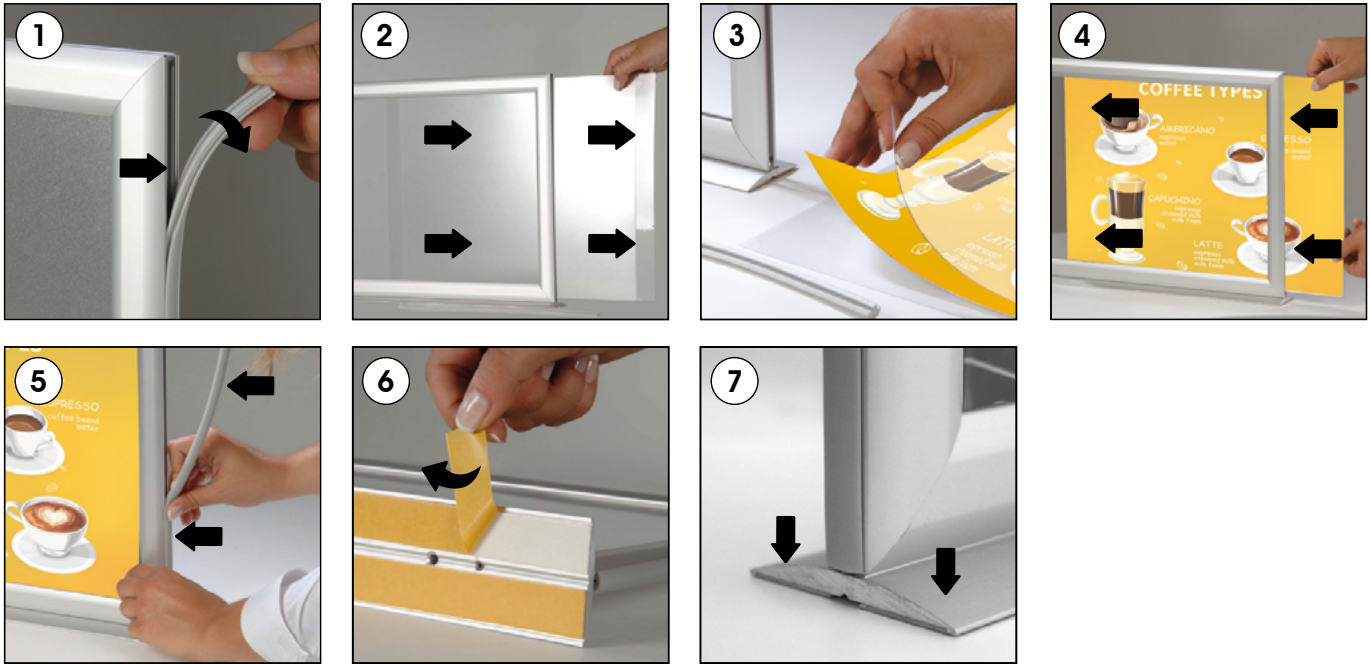
Document Size: 307 x 430 mm (Includes Bleeds)
Finished Size: A3 (297 x 420 mm) [Print](#)



T: +90 850 433 67 85 / info@mtdisplays.com / www.mtdisplays.com

INSTALLATION INSTRUCTIONS

Counter Slide-in Frame / 1002007



- Please inform the order number on the product or on the carton (e.g. 1/110001394-460) to the place that you have made the purchase if any problem with the product occurs.
- All rights reserved. All pictures, figures and writings are secured internationally by copy-right law. Infringements will be sued by civil and legal law.

This technical sheet's contents are all subject to update and modification at MT Displays' exclusive discretion. There is nothing official about this document. For final and legally binding information, please get in touch with the sales staff at MT Displays.



T: +90 850 433 67 85 / info@mtdisplays.com / www.mtdisplays.com