

COUNTER WOOD CHALK FRAME

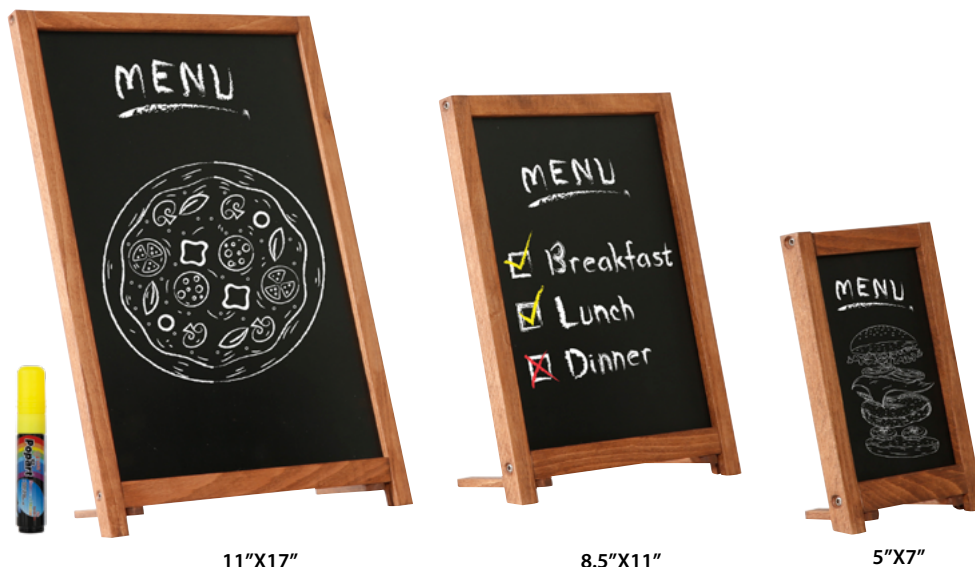


PRACTICAL FOR PRESENTING YOUR MENUS, PROMOTIONS AND MORE

Counter Wood Chalk Frame is made of beech wood. Lacquered finish is applied for long term use. Foldable support provides stability. It is suitable for desktop usage and 3 size options are available. Its wooden look creates a friendly atmosphere to your business, menu or announcements. It has a dry-wipe chalkboard surface that easy to change notes. Chalkboard marker is optional.

KEY SELECTION ATTRIBUTES

- * Practical and foldable Beech Wood Chalk Frame.
- * Suitable for desktop usage with 3 size options: 11"x17", 8.5"x11", 5"x7"
- * Perfect way to present/change the menus, messages, announcements or promotions.
- * One set includes beech wood frame with lacquered finish for durability, a dry-wipe chalkboard surface for changing notes easily and foldable supports for stability.
- * Optional accessories like chalkboard markers are not included. Please order separately.
- * Packed unassembled in a sturdy box. Assembly in 10 seconds.



11"x17"

8.5"x11"

5"x7"



COLOURS IN STOCK



Dark Wood

SUITABLE FOR

Wood Portable Easels can be used for INDOOR applications, for signage needs in many locations like shopping centers, markets, groceries, hotels, offices airports, shops and stores, hospitals, schools, apartments and many more.

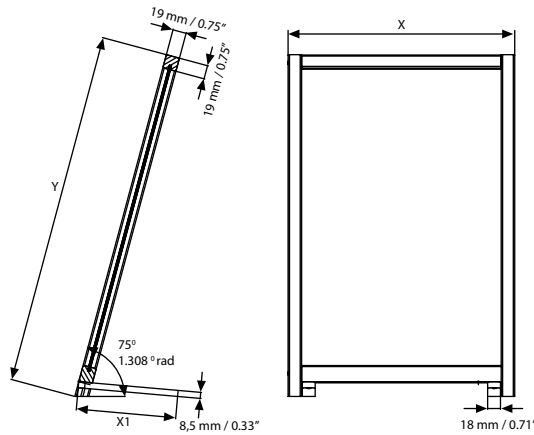
FEATURES



EXPLODED VIEW



TECHNICAL DRAWING



ARTICLES

ARTICLE	EXTERNAL (x-y)	SIZE	X1	DESCRIPTION	WEIGHT	PACKING SIZE
					WITH PACKING	*W X H X D
UWCFD00057	165 X 235 mm	5" X 7" - 127 X 177,8 mm	60 mm	Dark Wood - Black Chalkboard	0,350 kg	190 X 260 X 30 mm
UWCFD00081	254 X 341 mm	8.5" X 11" - 215,9 X 279,4 mm	100 mm	Dark Wood - Black Chalkboard	0,600 kg	280 X 360 X 30 mm
UWCFD00017	318 X 496,5 mm	11" X 17" - 279,4 X 431,8 mm	140 mm	Dark Wood - Black Chalkboard	0,950 kg	340 X 510 X 30 mm

OPTIONAL ACCESSORIES



Colour chalkboard marker. 10 mm wide. 5 Pcs. / UYAKLM1251



White chalkboard marker for Wood Display. 10 mm wide. 3 Pcs / UYAKLM1250

PHYSICAL DATA

Material

Beech Wood frame, dry-wipe chalkboard

Surface Finish

Beech Wood frame with lacquered finish, black colored chalkboard.

Surface Finish

Goods should be stored at 0° to 25°C in a dry place. Store in the original package.

Warranty

All products are guaranteed for 1 years by MT Displays with below conditions:

[Warranty Conditions](#)

Installation Considerations

Packed unassembled in a sturdy box with an easy to understand instruction. Assembly in 10 seconds. One set includes beech wood frame with lacquered finish for durability, a dry-wipe chalkboard surface for changing notes easily and foldable supports for stability. Optional accessories like chalkboard markers are not included. Please order separately.

Design Considerations

Practical and foldable Beech Wood Chalk Frame. Perfect way to present/change the menus, messages, announcements or promotions. Suitable for desktop usage with 3 size options: 11"x17", 8.5"x11", 5"x7"

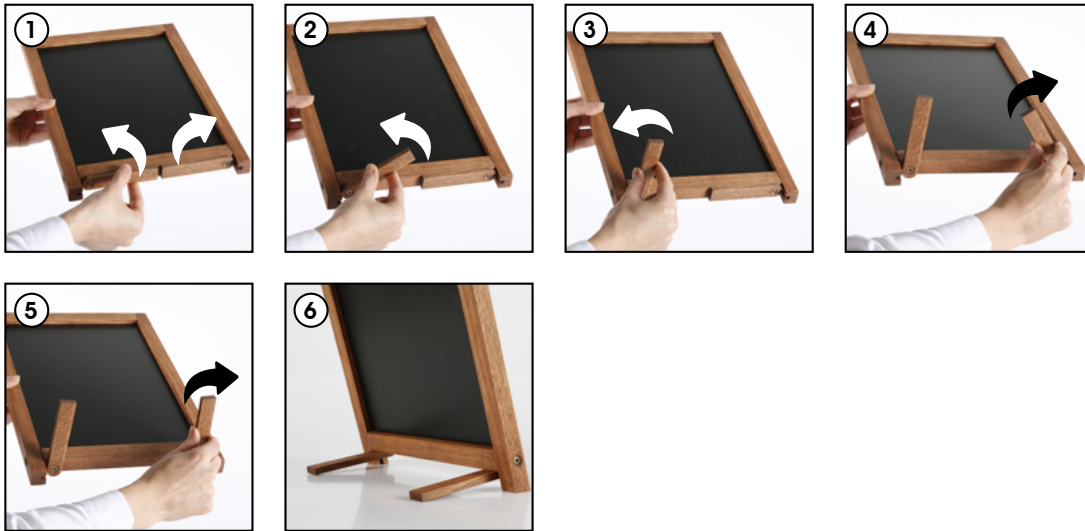
Cleaning and Disinfecting

Clean your displays, with damp microfiber clothes, rinsed with simply water or warm, soapy or gentle shampooed water. Avoid using vinegar, abrasive, acidic, alcohol-based or heavy cleaners or cleaners containing Ammonia. Only after cleaning the product, if needed, simply apply disinfectant or sanitizer that is in compliance with your local guidelines and regulations.



INSTALLATION INSTRUCTIONS

Counter Wood Chalk Frame / 1011566H000



- Please inform the order number on the product or on the carton (e.g. 1/110001394-460) to the place that you have made the purchase if any problem with the product occurs.
- All rights reserved. All pictures, figures and writings are secured internationally by copy-right law. Infringements will be sued by civil and legal law.

This technical sheet's contents are all subject to update and modification at MT Displays' exclusive discretion. There is nothing official about this document. For final and legally binding information, please get in touch with the sales staff at MT Displays.



T: +90 850 433 67 85 / info@mtdisplays.com / www.mtdisplays.com