

DECORATIVE BROCHURE STAND PLUS



FREE STANDING BROCHURE HOLDERS WITH ACRYLIC TOP SHELF AND HEADER

Decorative Brochure Stand is available in A4 size. It is easy to change top header in portrait & landscape positions. Height is 970 mm in landscape position and 1000 mm in portrait position. It has a perfectly convenient size in both portrait and landscape positions. Equipped with sturdy decorative powder coated base. Soft feet prevent the product sliding and the surface scratching. It is ideal for exhibition, museum, conference and showroom areas. Decorative Brochure Stand adds value to your brand's announcements or information brochures. Its modern and qualified look ensures your brands and its announcement attracts the attention deserve.

KEY SELECTION ATTRIBUTES

- * Free standing, decorative brochure holders with an acrylic top shelf.
- * Suitable for INDOOR public spaces with two shelf versions for holding A4 size brochures in portrait and landscape positions.
- * One set includes an acrylic transparent shelf suitable for holding A4 brochures in portrait or landscape positions, 51x25 mm anodised aluminium main body profile with 970 mm height for landscape version and 1000mm height for portrait one, 330x250 mm metallic gray RAL 9006 powder coated decorative base with 1,62 kg weight for stability, 3 M4 bolts and 3 M4 nuts for landscape header or 2 M4 bolts and 2 M4 nuts for portrait header, 1 shelf connector, 2 bolts M6x25mm, 2 bolts M6x50mm, 4 screws, 1 allen key (4mm)

- and 1 allen key (5mm) for fixing.
- * Soft feet prevent the product sliding and the surface scratching.
- * It is easy to change top header in portrait & landscape positions.
- * Natural silver-anodized main body profile, metallic gray powder coated steel base and transparent shelf in standard. Custom colors also available, call for custom color requests.
- * Decorative brochure stand is packed unassembled in 2 boxes with an easy-to understand instruction sheet & fixing elements. See info chart for pack sizes. Assembly in 60 seconds.



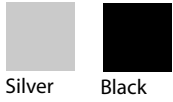
A4 landscape with logo



A4 portrait with logo



COLOURS IN STOCK



Silver Black

SUITABLE FOR

Brochure Sets can be used for INDOOR applications, for displaying brochures in many locations like shopping centers, markets, groceries, hotels, offices airports, shops and stores, hospitals, schools, apartments, restaurants, halls, meeting rooms, gas stations and many more.

WATCH VIDEO

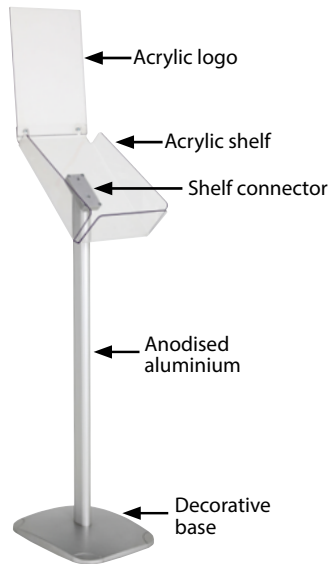


Watch video at our website
www.mtdisplays.com

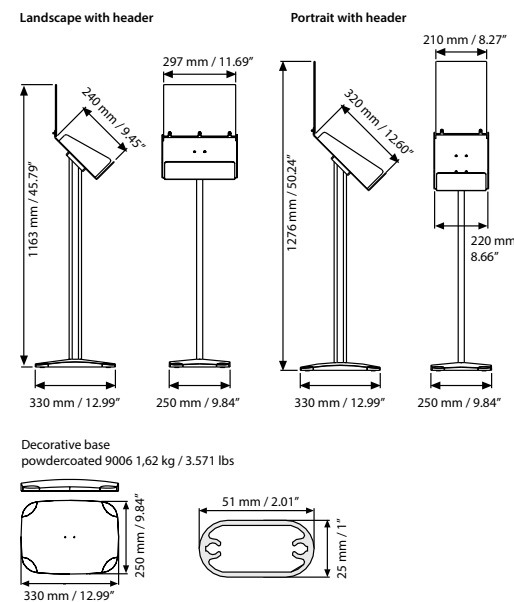
FEATURES



EXPLODED VIEW



TECHNICAL DRAWING



ARTICLES

ARTICLE	DESCRIPTION	WEIGHT	PACKING SIZE
		WITH PACKING	*W X H X D
UDBS20Y0A4	A4 landscape with logo	3,980 kg	280 X 880 X 125 mm
UDBS20D0A4	A4 portrait with logo	3,980 kg	280 X 880 X 125 mm

PHYSICAL DATA

Material

Main body made from aluminium profile, steel base and acrylic shelf.

Surface Finish

Natural silver-anodized main body, metallic gray RAL 9006 powder coated steel base and transparent shelf in standard. Custom colors also available, call for custom color requests.

Recycled Content

Up to 78% recycled content used.

Storage Conditions

Goods should be stored at 0° to 25°C in a dry place. Store in the original package.

Warranty

All products are guaranteed for 3 years by MT Displays with below conditions:

[Warranty Conditions](#)

Installation Considerations

Decorative brochure stand is packed unassembled in 2 boxes with an easy-to understand instruction sheet & fixing elements. See info chart for pack sizes. Assembly in 60 seconds. One set includes an acrylic transparent shelf suitable for holding A4 brochures in portrait or landscape positions, 51x25 mm anodised aluminium main body profile with 970 mm height for landscape version and 1000mm height for portrait one, 330x250 mm metallic gray RAL 9006 powder coated decorative base with 1,62 kg weight for stability, 3 M4 bolts and 3 M4 nuts for landscape header or 2 M4 bolts and 2 M4 nuts for portrait header, 1 shelf connector, 2 bolts M6x25mm, 2 bolts M6x50mm, 4 screws, 1 allen key (4mm) and 1 allen key (5mm) for fixing. Soft feet prevent the product sliding and the surface scratching.

Design Considerations

Free standing, decorative brochure holders with an acrylic top shelf. Suitable for INDOOR public spaces with two shelf versions for holding A4 size brochures in portrait and landscape positions. It is easy to change top header in portrait & landscape positions.

Cleaning and Disinfecting

Clean your displays, with damp microfiber clothes, rinsed with simply water or warm, soapy or gentle shampooed water. Avoid using vinegar, abrasive, acidic, alcohol-based or heavy cleaners or cleaners containing Ammonia. Only after cleaning the product, if needed, simply apply disinfectant or sanitizer that is in compliance with your local guidelines and regulations.



T: +90 850 433 67 85 / info@mtdisplays.com / www.mtdisplays.com

INSTALLATION INSTRUCTIONS

Decorative Brochure Stand Plus / 1004900

Each product package includes mounting accessories

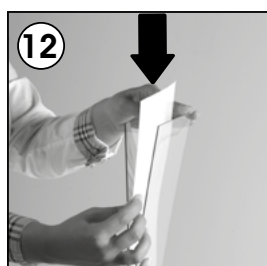
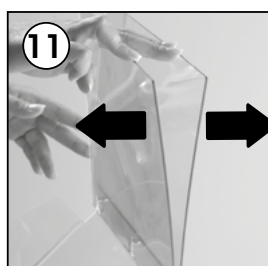
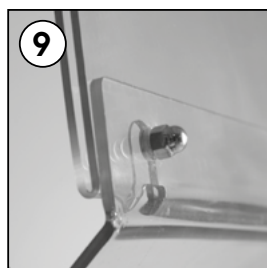
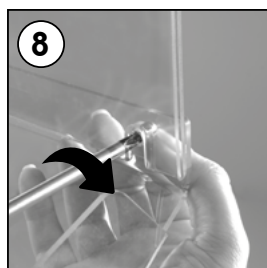
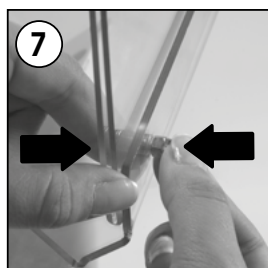
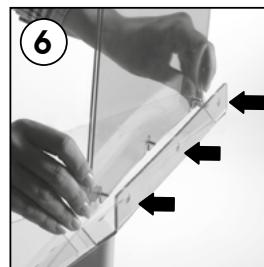
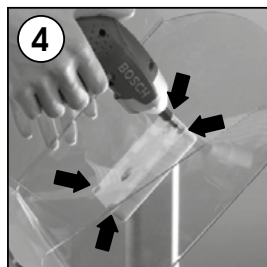
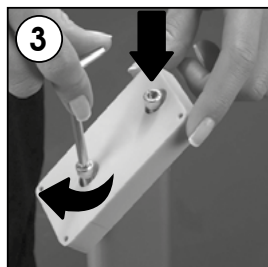
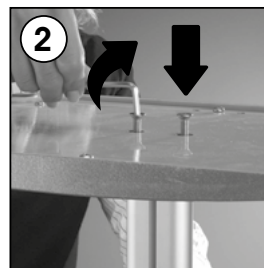
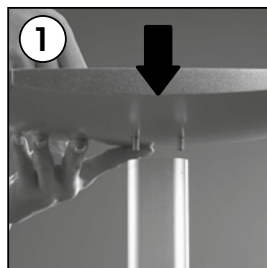
- 1 x Base
- 1 x Main body profile
- 1 x Shelf
- 1 x Header
- 1 x Shelf connector
- 2 x Bolt M6x25 mm
- 2 x Bolt M6x50 mm
- 4 x Screw 3,5x16 mm
- 1 x 4 Allen key
- 1 x 5 Allen key

for landscape header

- 3 x Bolt M4x8
- 3 x Nut M4

for portrait header

- 2 x Bolt M4x8
- 2 x Nut M4



- Please inform the order number on the product or on the carton (e.g. 1/110001394-460) to the place that you have made the purchase if any problem with the product occurs.
- All rights reserved. All pictures, figures and writings are secured internationally by copy-right law. Infringements will be sued by civil and legal law.



This technical sheet's contents are all subject to update and modification at MT Displays' exclusive discretion. There is nothing official about this document. For final and legally binding information, please get in touch with the sales staff at MT Displays.



T: +90 850 433 67 85 / info@mtdisplays.com / www.mtdisplays.com