

EASY WOOD FRAME



WALL-MOUNTED BOARDS FOR PRESENTING YOUR REMOVABLE MESSAGES

Suitable for the display of messages in restaurants, cafés, bars, malls, offices and education centers. The erasable surface enables you to erase your messages and transmit them to your audience while keeping them updated. You can use a chalkboard pen to write on the black surface. There are also special water-based and scent-free markers. We sell chalk pens individually 2 in convenient sets.

KEY SELECTION ATTRIBUTES

- * Practical, single-sided and wall-mounted Beech Wood Frames, designed for writing on with chalk or waterbase markers.
- * Suitable for INTERIOR use in landscape and portrait positions with optional 300x400mm, 400x600mm, 400x900mm, 600x800mm, 600x1150mm and 800x1200mm writing areas.
- * A perfect way to present removable messages, announcements or promotions to your audience while keeping them updated.
- * One set includes beech wood frame with 22mm depth and lacquered finish for durability, a single-sided dry wipe black chalkboard for changing notes easily, 2 anchors, 2 hangers and 2 screws for installing on wall.
- * Suitable for using chalk or chalkboard water-based pen. Chalkboard pens are not included in the original pack, should be ordered separately. No-ghost after cleaning. For spotless removing of chalk pens from surface, please use window & glass cleaner otherwise clean with damp cloth.
- * Can also be used with easel to provide an aesthetic appearance to your message. Please order easel separately.
- * Natural or dark beech wood frames with lacquered finish and black chalk surface in standard.
- * Each unit comes ready with mounting set and easy-to-understand installation sheet.



Natural wood



Dark wood



COLOURS IN STOCK



Natural Wood Dark Wood

SUITABLE FOR

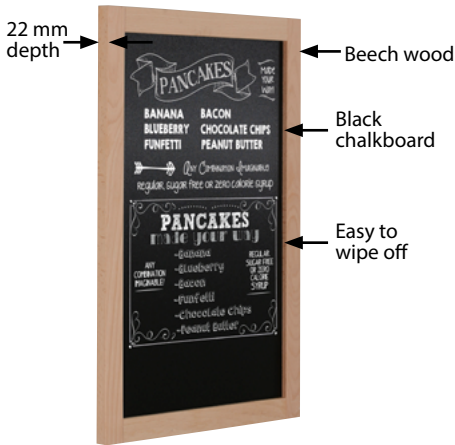
Easy Wood Frames can be used for INDOOR applications, for signage needs in many locations like shopping centers, markets, groceries, hotels, offices airports, shops and stores, hospitals, schools, apartments and many more.

FEATURES

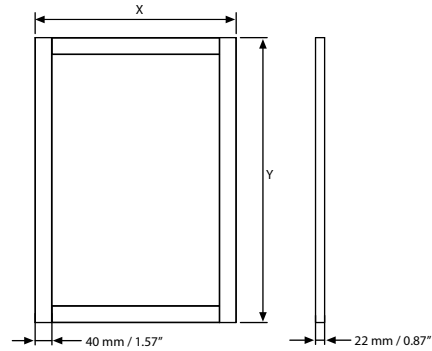


Landscape or portrait positions

EXPLODED VIEW



TECHNICAL DRAWING



ARTICLES

NATURAL WOOD	DARK WOOD	EXTERNAL	SIZE	DESCRIPTION	WEIGHT WITH PACKING	PACKING SIZE *W X H X D
UWSS010034	UWSS010034	380 X 480 mm	300 X 400 mm	Black Chalkboard	1,060 kg	400 X 510 X 24 mm
UWSS010046	UWSS010046	480 X 680 mm	400 X 600 mm	Black Chalkboard	1,650 kg	500 X 710 X 24 mm
UWSS010049	UWSS010049	480 X 980 mm	400 X 900 mm	Black Chalkboard	3,065 kg	500 X 1010 X 24 mm
UWSS010068	UWSS010068	680 X 880 mm	600 X 800 mm	Black Chalkboard	3,400 kg	700 X 910 X 24 mm
UWSS010061	UWSS010061	680 X 1230 mm	600 X 1150 mm	Black Chalkboard	4,340 kg	700 X 1310 X 24 mm
UWSS010081	UWSS010081	880 X 1280 mm	800 X 1200 mm	Black Chalkboard	5,050 kg	900 X 1310 X 24 mm

OPTIONAL ACCESSORIES



Colour chalkboard marker. 10 mm wide. 5 Pcs. / UYAKLM1251



White chalkboard marker for Wood Display. 10 mm wide. 3 Pcs / UYAKLM1250

PHYSICAL DATA

Material

Beech Wood frame, magnetic chalkboard.

Surface Finish

Natural or dark beech wood frames with lacquered finish and black chalk surface in standard.

Warranty

All products are guaranteed for 1 years by MT Displays with below conditions:

[Warranty Conditions](#)

Storage Conditions

Goods should be stored at 0° to 25°C in a dry place. Store in the original package.

Installation Considerations

Each unit comes ready with mounting set and easy-to-understand installation sheet. One set includes beech wood frame with 22mm depth and lacquered finish for durability, a single-sided dry wipe black chalkboard for changing notes easily,

2 anchors, 2 hangers and 2 screws for installing on wall. Suitable for using chalk or chalkboard water-based pen. Chalkboard pens are not included in the original pack, should be ordered separately. No-ghost after cleaning. For spotless removing of chalk pens from surface, please use window & glass cleaner otherwise clean with damp cloth. Can also be used with easel to provide an aesthetic appearance to your message. Please order easel separately.

Design Considerations

Practical, single-sided and wall-mounted Beech Wood Frames, designed for writing on with chalk or waterbase markers. Suitable for INTERIOR use in landscape and portrait positions with optional 300x400mm, 400x600mm, 400x900mm, 600x800mm, 600x1150mm and 800x1200mm writing areas. A perfect way to present removable messages, announcements or promotions to your audience while keeping them updated.

Cleaning and Disinfecting

Clean your displays, with damp microfiber clothes, rinsed with simply water or warm, soapy or gentle shampooed water. Avoid using vinegar, abrasive, acidic, alcohol-based or heavy cleaners or cleaners containing Ammonia. Only after cleaning the product, if needed, simply apply disinfectant or sanitizer that is in compliance with your local guidelines and regulations.



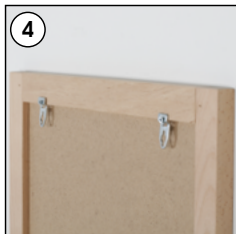
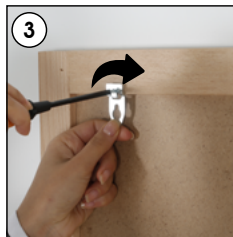
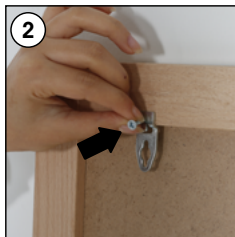
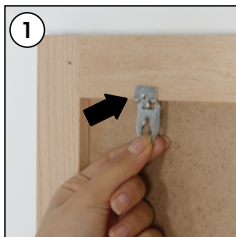
T: +90 850 433 67 85 / info@mtdisplays.com / www.mtdisplays.com

INSTALLATION INSTRUCTIONS

Easy Wood Frame / 1006607

Each frame includes wall mounting accessories

- 2 x Screws
- 2 x Anchors
- 2 x Hangers



- Please inform the order number on the product or on the carton (e.g. 1/110001394-460) to the place that you have made the purchase if any problem with the product occurs.
- All rights reserved. All pictures, figures and writings are secured internationally by copy-right law. Infringements will be sued by civil and legal law.

This technical sheet's contents are all subject to update and modification at MT Displays' exclusive discretion. There is nothing official about this document. For final and legally binding information, please get in touch with the sales staff at MT Displays.



T: +90 850 433 67 85 / info@mtdisplays.com / www.mtdisplays.com