

## ECO WATERBASE WINDSIGN



### COST-SAVING HEAVY-BASE SIDEWALK SIGNS WITH FLEXIBLE SPRING DESIGN

Various sizes are available all with safe mitred corners. Its round corners do not have sharp edges. After the closure of the side profiles, the rubber seal in addition with over size PET makes the product waterproof. The easy-to-open snap frame includes an anti-reflex cover. The steel springs provide the flexibility to ensure stability. The wheels ensure the movement of the unit. Product is double sided.

### KEY SELECTION ATTRIBUTES

- \* Double-sided Pavement Sign with heavy waterbase and steel spring design for flexibility and stability.
- \* Suitable for various poster sizes, available with round mitred corners for safety.
- \* Wind Resistant: Suitable for windy outdoor conditions.
- \* Weatherproof IP56: Suitable for rainy conditions with over size anti-reflex PET and a rubber seal around the frame for protecting the poster within.
- \* One set includes a double sided snap open swing master frame, 2 anti-reflex poster covers, 1 PP backing, heavy waterbase with wheels, 2 nuts for installation.
- \* For optional header use, header enabled frames must be ordered. Optional carry tool is available.
- \* The wheels ensure the movement of the unit.
- \* Natural silver-anodized, black in standard and various RAL colors available with antimicrobial powder coating. Standard color for waterbase is metallic grey while other colors are available upon request
- \* Packed unassembled with an easy mounting instruction sheet & fixing set. 2 packs. See info chart for pack sizes.



## COLOURS IN STOCK



Silver

## SUITABLE FOR

Eco Waterbase Windsign can be used for INDOOR and OUTDOOR applications, for signage needs in many locations like shopping centers, markets, groceries, hotels, offices airports, shops and stores, hospitals, schools, apartments and many more.

## WATCH VIDEO



Watch video at our website  
www.mtdisplays.com

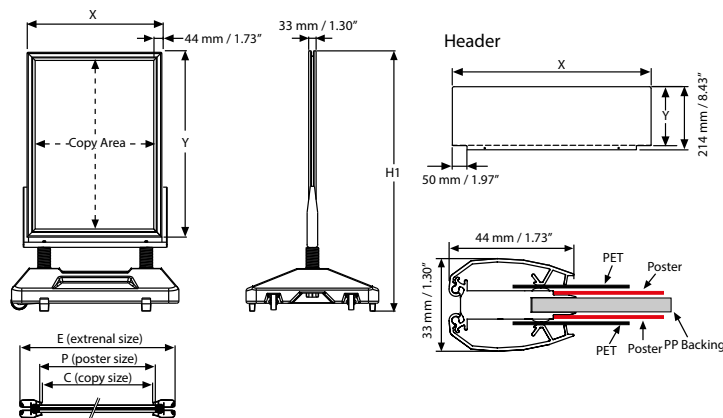
## FEATURES



## EXPLODED VIEW



## TECHNICAL DRAWING



## ARTICLES

ARTICLE	EXTERNAL (x-y)	POSTER	COPY	H1
UEWM000NA2	479 X 671 mm	420 X 594 mm	408 X 582 mm	1020 mm
UEWM000NA1	671 X 918 mm	594 X 841 mm	582 X 829 mm	1280 mm
UEWM000NA0	918 X 1266 mm	841 X 1189 mm	829 X 1177 mm	1655 mm
UEWM000NB2	577 X 777 mm	500 X 700 mm	488 X 688 mm	1130 mm
UEWM000NB1	777 X 1077 mm	700 X 1000 mm	688 X 988 mm	1435 mm
UEWM000NB0	1077 X 1477 mm	1000 X 1400 mm	988 X 1388 mm	1865 mm
UEWM000N22	25.03" X 31.03"	22" X 28"	21.53" X 27.53"	45.08"
UEWM000N23	23.03" X 33.03"	20" X 30"	19.53" X 29.53"	46.85"
UEWM000N24	27.03" X 39.03"	24" X 36"	23.53" X 35.53"	53.35"
UEWM000N34	33.03" X 43.03"	30" X 40"	29.53" X 39.53"	57.28"
UEWM000N46	43.03" X 63.03"	40" X 60"	39.53" X 59.53"	74.02"

MAIN BODY		WATER BASE	
WEIGHT	PACKING SIZE	WEIGHT	PACKING SIZE
WITH PACKING	*W X H X D	WITH PACKING	*W X H X D
4,700 kg	540 X 940 X 40 mm	8,500 kg	570 X 720 X 240 mm
8,000 kg	705 X 1180 X 40 mm	11,500 kg	670 X 840 X 240 mm
12,000 kg	960 X 1545 X 40 mm	11,500 kg	670 X 840 X 240 mm
6,200 kg	615 X 1020 X 40 mm	8,500 kg	570 X 720 X 240 mm
10,200 kg	815 X 1320 X 40 mm	11,500 kg	670 X 840 X 240 mm
13,200 kg	1115 X 1720 X 40 mm	13,200 kg	750 X 1070 X 240 mm
17,526 lbs	26.18" X 40.55" X 1.57"	17,857 lbs	22.44" X 28.35" X 9.45"
17,526 lbs	24.21" X 43.31" X 1.57"	17,857 lbs	22.44" X 28.35" X 9.45"
19,731 lbs	27.95" X 48.82" X 1.57"	25,353 lbs	33.07" X 26.38" X 9.45"
24,912 lbs	34.45" X 53.15" X 1.57"	25,353 lbs	33.07" X 26.38" X 9.45"
37,478 lbs	39.96" X 67.52" X 1.57"	30,864 lbs	40.16" X 30.31" X 9.45"

HEADER	PRINTING AREA (x-y)	WEIGHT WITH PACKING
UYFT0050A2	479 X 200 mm	1,885 kg
UYFT0050A1	671 X 200 mm	2,640 kg
UYFT0050A0	918 X 200 mm	3,615 kg
UYFT0050B2	577 X 200 mm	2,270 kg
UYFT0050B1	777 X 200 mm	3,060 kg
UYFT0050B0	1077 X 200 mm	4,240 kg
UYFT005022	25" X 7.87"	0.551 lbs
UYFT005023	23.03" X 7.87"	0.507 lbs
UYFT005024	27.05" X 7.87"	0.595 lbs
UYFT005034	33.03" X 7.87"	0.738 lbs
UYFT005046	43.03" X 7.87"	0.992 lbs

## OPTIONAL ACCESSORIES



Eco Swingmaster & Eco Waterbase Wind Sign header (3 PVC Foam).

## PHYSICAL DATA

### Material

45mm aluminium profile snap open swing master frame, PET anti-reflex poster cover, PP backing, optional PVC Foam header, LDPE Resin waterbase, produced in rotation molding line.

### Poster Material & Thickness

0,10 – 0,20 mm for standard product. Max poster thickness is 2 mm. Any non-standard poster thicknesses should be indicated with order.

### Surface Finish

Natural silver-anodized, or black in standard and various RAL colors available with antimicrobial powder coating. Call for custom color requests. Standard color for waterbase is metallic grey while other colors are available upon request.

### Recycled Content

Up to 78 % recycled content used.

### Warranty

All products are guaranteed for 3 years by MT Displays with below conditions:  
[Warranty Conditions](#)

### Installation Considerations

Packed unassembled with an easy mounting instruction sheet & fixing set. 2 packs. See info chart for pack sizes. One set includes a double sided snap open swing master frame, 2 anti-reflex poster covers, 1 PP backing, heavy waterbase with wheels, 2 nuts for installation. For optional header use, header enabled frames must be ordered. Optional carry tool is available.

### Design Considerations

Double-sided Pavement Sign with heavy waterbase and steel spring design for flexibility and stability. Suitable for various poster sizes, available with round mitred corners for raising safety level on the pavement. Suitable for windy outdoor conditions.

Suitable for rainy conditions with over size anti-reflex PET and a rubber seal around the frame for protecting the poster within. The wheels ensure the movement of the unit.

### Storage Conditions

Goods should be stored at 0° to 25°C in a dry place. Store in the original package.

### Cleaning and Disinfecting

Clean your displays, with damp microfiber clothes, rinsed with simply water or warm, soapy or gentle shampooed water. Avoid using vinegar, abrasive, acidic, alcohol-based or heavy cleaners or cleaners containing Ammonia. Only after cleaning the product, if needed, simply apply disinfectant or sanitizer that is in compliance with your local guidelines and regulations.

### Patent

PCT/EP2018/060515



T: +90 850 433 67 85 / info@mtdisplays.com / www.mtdisplays.com

# PRINT TEMPLATES

## Eco Waterbase Windsign - A2

Document Size: 430 x 604 mm (Includes Bleeds)  
 Finished Size: A2 (420 x 594 mm) [Print](#)

## Eco Waterbase Windsign - A1

Document Size: 604 x 851 mm (Includes Bleeds)  
 Finished Size: A1 (594 x 841 mm) [Print](#)

## Eco Waterbase Windsign - A0

Document Size: 851 x 1199 (Includes Bleeds)  
 Finished Size: A0 (841 x 1189 mm) [Print](#)

## Eco Waterbase Windsign - B2

Document Size: 510 x 710 (Includes Bleeds)  
 Finished Size: B2 (500 x 700 mm) [Print](#)

## Eco Waterbase Windsign - B1

Document Size: 710 x 1010 (Includes Bleeds)  
 Finished Size: B1 (700 x 1000 mm) [Print](#)

## Eco Waterbase Windsign - B0

Document Size: 1010 x 1410 (Includes Bleeds)  
 Finished Size: B0 (1000 x 1400 mm) [Print](#)

## Eco Waterbase Windsign - 20" x 30"

Document Size: 20.4" x 30.4" (Includes Bleeds)  
 Finished Size: 20" x 30" (508 x 762 mm) [Print](#)

## Eco Waterbase Windsign - 22" x 28"

Document Size: 22.4" x 28.4" (Includes Bleeds)  
 Finished Size: 22" x 28" (558.8 x 711.2 mm) [Print](#)

## Eco Waterbase Windsign - 24" x 36"

Document Size: 24.4" x 36.4" (Includes Bleeds)  
 Finished Size: 24" x 36" (609.6 x 914.4 mm) [Print](#)

## Eco Waterbase Windsign - 30" x 40"

Document Size: 30.4" x 40.4" (Includes Bleeds)  
 Finished Size: 30" x 40" (762 x 1016 mm) [Print](#)

## Eco Waterbase Windsign - 40" x 60"

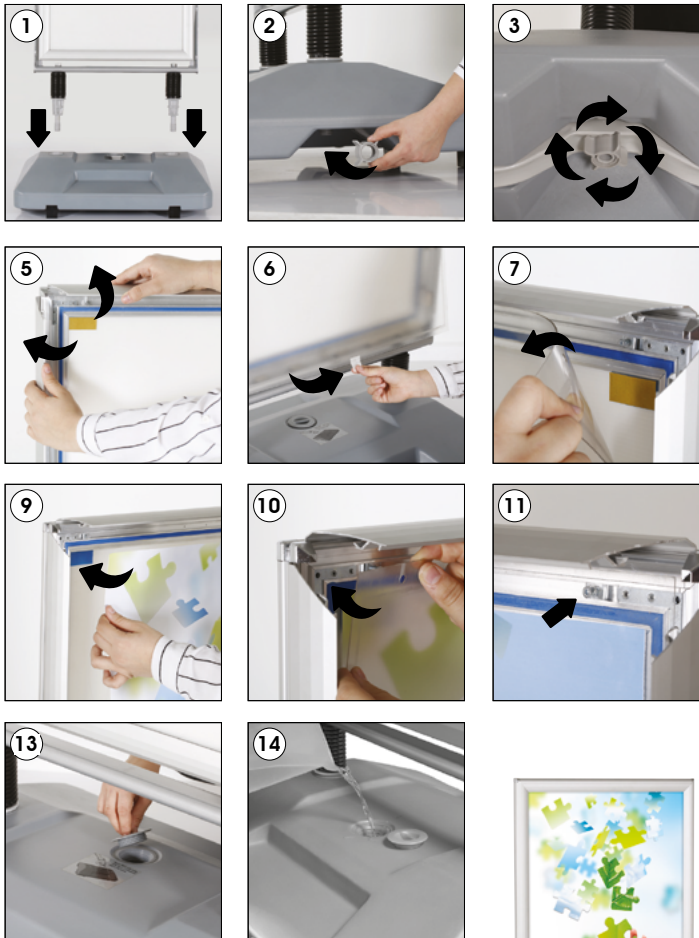
Document Size: 40.4" x 60.4" (Includes Bleeds)  
 Finished Size: 40" x 60" (1016 x 1524 mm) [Print](#)

# INSTALLATION INSTRUCTIONS

## Eco Waterbase Windsign / 1010537H000

### Each product package includes

- 1 x Eco Waterbase Windsign Frame
- 1 x Water base
- 2 x Nut
- 2 x PET cover



• Please inform the order number on the product or on the carton (e.g. 1/110001394-460) to the place that you have made the purchase if any problem with the product occurs.

• All rights reserved. All pictures, figures and writings are secured internationally by copy-right law. Infringements will be sued by civil and legal law.

This technical sheet's contents are all subject to update and modification at MT Displays' exclusive discretion. There is nothing official about this document. For final and legally binding information, please get in touch with the sales staff at MT Displays.



T: +90 850 433 67 85 / info@mtdisplays.com / www.mtdisplays.com