

FLEXIBLE REFERENCE RACK



SHOW OFF YOUR POSTERS IN COMPLETELY FLEXIBLE RACK SYSTEMS

Completely Flexible Reference Rack System in every means with capacity of 10 display pockets. Table Top Reference allows you to get organized for busy environments, it can rotate 360° round, its height can be adjusted up to 355 mm and the reading angle is adjustable as required to comfortable eye level. 10 x pockets are included in the system. Pockets are double sided, allowing you to display 20 pages at a time.

KEY SELECTION ATTRIBUTES

- * Completely adjustable table edge reference rack
 - * It can be fixed to furnitures max 60 mm, height adjusted up to 355mm and rotated 360° round
 - * Table edge mounted plastic base with up to 60mm adjustment.
 - * Capacity of 10 PET pockets in one rack.
 - * Double sided pockets allow to display 20 different pages.
- * 10 mix colour pockets included in the system.
 - * Pocket frames in three colour mix as red, black and grey.
 - * Please don't forget to order tab insets seperately.



SUITABLE FOR

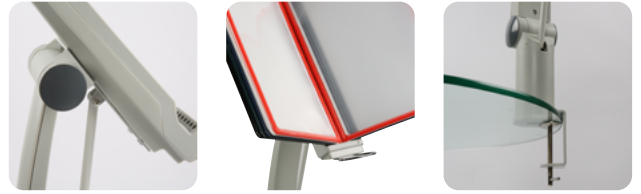
Reference Racks can be used for INDOOR applications, for signage needs in many locations like shopping centers, markets, groceries, hotels, offices airports, shops and stores, hospitals, schools, apartments and many more.

WATCH VIDEO

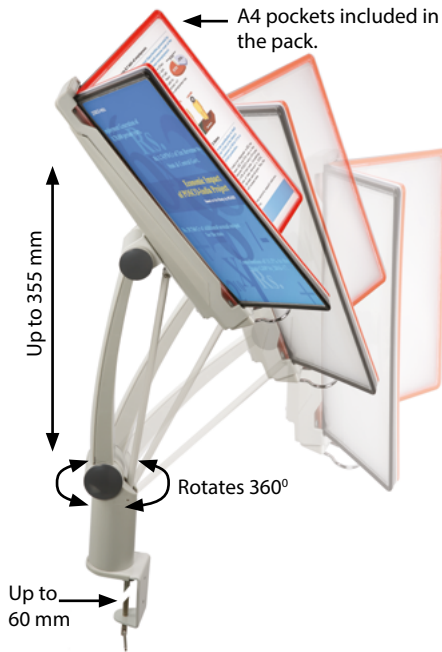


Watch video at our website www.mtdisplays.com

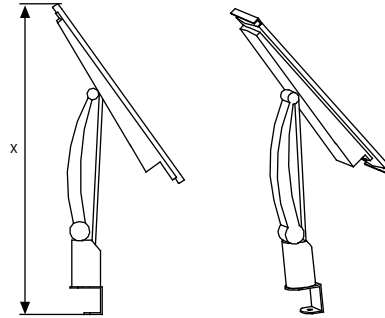
FEATURES



EXPLODED VIEW



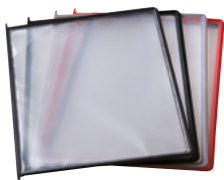
TECHNICAL DRAWING



ARTICLES

ARTICLE	PAPER SIZE	X	DESCRIPTION	WEIGHT	PACKING SIZE
				WITH PACKING	*W X H X D
TAB5845002	210 X 297 mm	625 mm	White	2,250 kg	155 X 480 X 265 mm

OPTIONAL ACCESSORIES



Please don't forget to order. 10 pcs of 1 colour in a box.

POSTER POCKET			WEIGHT	PACKING SIZE(10 Pcs)
ARTICLE	PAPER SIZE	DESCRIPTION	WITH PACKING	*W X H X D
TAB0590304	210 X 297 mm	Red	0,550 kg	390 X 550 X 590 mm
TAB0590301	210 X 297 mm	Black	0,550 kg	390 X 550 X 590 mm
TAB0590309	210 X 297 mm	Grey	0,550 kg	390 X 550 X 590 mm



Tab & Inset. Please don't forget to order. TAB5904003

PHYSICAL DATA

Material

Plastic body, plastic inserts, PET pockets with plastic frame.

Surface Finish

Suitable for A4 papers. Standard with paper clip and magnet on the back. Peel the tape and stick backing for easy application. Please clean the surface before applying the double-sided tape for better application. Optional steel bar for hanging in multiples of A4. Should be ordered separately! Steel bar has double sided tape at the back for wall application.

Poster Material & Thickness

Poster Material & Thickness
0,2mm for standard product. Max poster thickness is 1mm. Any non-standard poster thicknesses should be indicated with order.

Warranty

All products are guaranteed for 1 years by MT Displays with below conditions:
[Warranty Conditions](#)

Installation Considerations

Packed unassembled. Table edge mounted plastic base with up to 60mm adjustment for a stable and secure unit. Mix colour pockets are included in the pack. Index tab&insets should be ordered separately.

Storage Conditions

Goods should be stored at 0° to 25°C in a dry place. Store in the original package.

Design Considerations

Holds 10 pockets at a time. Pockets available in Red, Black and Grey. Double sided pockets allows to display 20 different pages.

Cleaning and Disinfecting

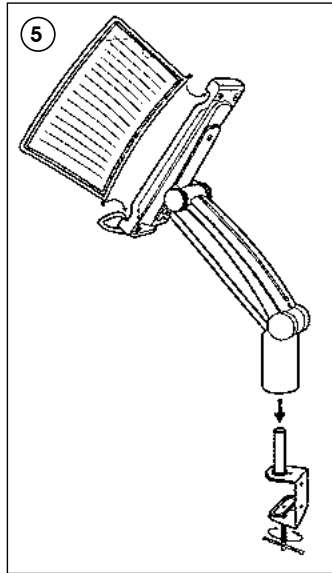
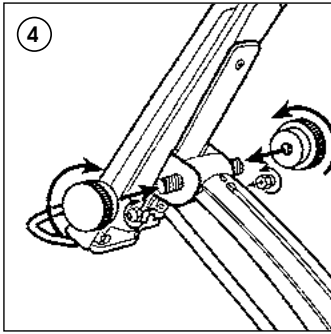
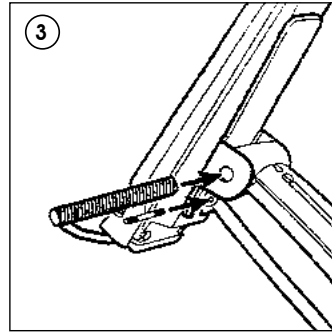
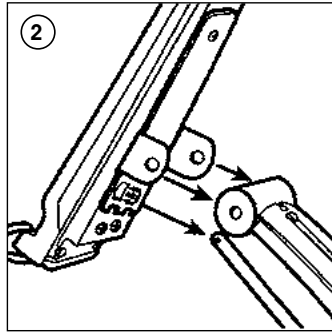
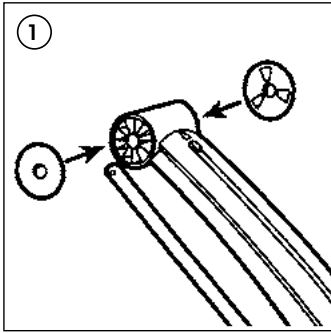
Clean your displays, with damp microfiber clothes, rinsed with simply water or warm, soapy or gentle shampooed water. Avoid using vinegar, abrasive, acidic, alcohol-based or heavy cleaners or cleaners containing Ammonia. Only after cleaning the product, if needed, simply apply disinfectant or sanitizer that is in compliance with your local guidelines and regulations.



T: +90 850 433 67 85 / info@mtdisplays.com / www.mtdisplays.com

INSTALLATION INSTRUCTIONS

Flexible Reference Rack / 1009942H000



CAUTION : PET Pockets are not included in the pack. Please don't forget to order.
Pockets in 3 colours (red, black, gray).
Each colour boxed in 10 pcs.



- Please inform the order number on the product or on the carton (e.g. 1/110001394-460) to the place that you have made the purchase if any problem with the product occurs.
- All rights reserved. All pictures, figures and writings are secured internationally by copy-right law. Infringements will be sued by civil and legal law.

This technical sheet's contents are all subject to update and modification at MT Displays' exclusive discretion. There is nothing official about this document. For final and legally binding information, please get in touch with the sales staff at MT Displays.



T: +90 850 433 67 85 / info@mtdisplays.com / www.mtdisplays.com