

## ILLUMINATED WINDPRO WITH LED PLUS



### LED SIDEWALK SIGN WITH SPRING DESIGN AND RECHARGEABLE BATTERY

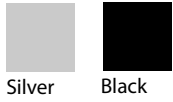
WindPro with LED Plus is an illuminated and double-sided stopper as pavement sign. It is battery operated and equipped with locked battery compartment. Battery charger is included. Click clack snap open system provides easy poster change and frame has safe corners. It is structured with clear anti-reflex PET Cover. Springs keeps WindPro with LED Plus in balance. Weatherproof IP56, suitable to use for outdoor conditions. Filling with water capacity is 40 kg. It has an optional carry tool.

#### KEY SELECTION ATTRIBUTES

- \* Patent-protected, double-sided Pavement Sign illuminated with LED technology, equipped with a heavy waterbase and swinging steel spring design for flexibility and stability.
- \* Energy saving and bright modes are applied with a switch.
- \* Life P04 battery which provides high power on low weight is stored in a lockable compartment in the base. Battery is shipped at full charge capacity, see digital LED indication on battery to recharge. It can not be charged in the product.
- \* Suitable for A1 size posters.
- \* Weatherproof IP56: Suitable for rainy conditions with over size anti-reflex PET and a rubber seal around the frame for protecting the poster within.
- \* One set includes a double sided snap open swing master frame with safe corners and cover hangers, 2 anti-reflex poster covers, 1 PP backing, heavy waterbase with battery compartment and wheels, one battery, one battery charger, one RF receiver, 2 remote control, one key, 2 washers, 4 nuts, one spanner, one drum cap wrench for installation.
- \* Optional cable lock kit and carry tool are available.
- \* The wheels ensure the movement of the unit.
- \* Black and natural silver-anodized in standard and various RAL colors available with antimicrobial powder coating. Standard color for waterbase is black while other colors are available upon request.
- \* Packed unassembled with an easy mounting instruction sheet & fixing set. 2 packs. See info chart for pack sizes. Assembly in 60 seconds.



## COLOURS IN STOCK



Silver Black

## SUITABLE FOR

Illuminated WindPro with LED Plus can be used for INDOOR and OUTDOOR applications, for signage needs in many locations like shopping centers, markets, groceries, hotels, offices airports, shops and stores, hospitals, schools, apartments and many more.

## WATCH VIDEO



Watch video at our website [www.mtdisplays.com](http://www.mtdisplays.com)

## FEATURES



## EXPLODED VIEW



Cable lock kit for WindPro 2100mm. TZZZ998701



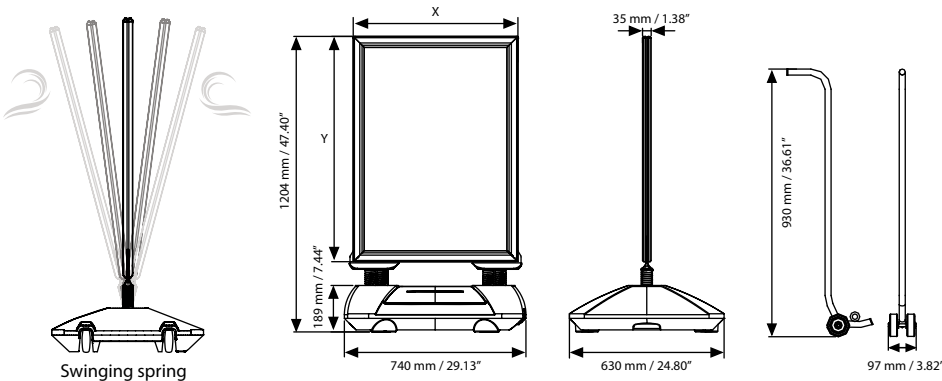
Remote Control



1011199C000 - LiFePO4 25.6V 7.5A Rechargeable battery 25,6V 7,5A LiFePO4 model battery

1011200C000 - LiFePO4 29.2V 1.35A Battery charger for LiFePO4 29,2V 1,35A

## TECHNICAL DRAWING



In case of any claim, user is required to return product or any parts to manufacture for analyses at their cost. As long as the manufacturer confirms the problem is a manufacturing fault, the replacement can be provided. This applies for all illuminated products.



T: +90 850 433 67 85 / [info@mtdisplays.com](mailto:info@mtdisplays.com) / [www.mtdisplays.com](http://www.mtdisplays.com)

## ARTICLES

ARTICLE	EXTERNAL (x-y)	POSTER	COPY	WEIGHT	PACKING SIZE
				WITH PACKING	*W X H X D
USWLP00BA1	671 X 918 mm	594 X 841 mm	582 X 829 mm	29,000 kg	720 X 1250 X 45 / 680 X 780 X 200 mm

## PHYSICAL DATA

### Material

35mm aluminium profile snap open swing master frame, PET anti-reflex poster cover, PP backing, LDPE Resin waterbase, produced in rotation molding line.

### Poster Material & Thickness

0,25 mm for standard product. Max duratrans thickness is 7 mm. Any non-standard duratrans thicknesses should be indicated with order.

### Surface Finish

Black or natural silver-anodized in standard and various RAL colors available with antimicrobial powder coating. Call for custom color requests. Standard color for waterbase is black while other colors are available upon request.

### Recycled Content

For frame part up to 78% and for base part up to 40% recycled content used.

### Warranty

All products are guaranteed for 3 years by MT Displays with below conditions:

[Warranty Conditions](#)

### Installation Considerations

One set includes a double sided snap open swing master frame with safe corners and cover hangers, 2 anti-reflex poster covers, 1 PP backing, heavy waterbase with battery compartment and wheels, one battery, one battery charger, one RF receiver, 2 remote control, one key, 2 washers, 4 nuts, one spanner, one drum cap wrench for installation. Optional cable lock kit and carry tool are available.

### Storage Conditions

Goods should be stored at 0° to 25°C in a dry place. Store in the original package.

### Cleaning and Disinfecting

Clean your displays, with damp microfiber clothes, rinsed with simply water or warm, soapy or gentle shampooed water. Avoid using vinegar, abrasive, acidic, alcohol-based or heavy cleaners or cleaners containing Ammonia. Only after cleaning the product, if needed, simply apply disinfectant or sanitizer that is in compliance with your local guidelines and regulations.

## PRINT TEMPLATES

**Illuminated Windpro with LED Plus - A1**  
**Document Size:** 604 x 851 mm (Includes Bleeds)  
**Finished Size:** A1 (594 x 841 mm) [Print](#)

### Design Considerations

Patent-protected, double-sided Pavement Sign illuminated with LED technology, equipped with a heavy waterbase and swinging steel spring design for flexibility and stability. Energy saving and bright modes are applied with a switch. Life P04 battery which provides high power on low weight is stored in a lockable compartment in the base. Battery is shipped at full charge capacity, see digital LED indication on battery to recharge. It can not be charged in the product. Suitable for logo printing on waterbase, max. height is 4mm. Suitable for A1 size posters with safe corners for raising safety level on the pavement. Weatherproof IP56: Suitable for rainy conditions with over size anti-reflex PET and a rubber seal around the frame for protecting the poster within. The wheels ensure the movement of the unit.

### Patent

OHIM DM/098 297

## ILLUMINATED PRODUCTS TECHNICAL MANUAL

### ⚠ WARNING

- Do not charge the battery in the lockable compartment of the base.
- Battery will be shipped at full charge capacity see digital indication on the battery to recharge.
- Battery should be stored fully charged
- If not in use, every 3 months battery should be recharged.
- Do not keep the base in water more than 10cm as it may let the water in battery compartment.

### 🔋 BATTERY & BATTERY CHARGER



- 29.2 V DC
- Complete with charger
- 1 year guaranteed

UYPSWL0010  
Spare battery

Delivered with 2 meter long cable and EU plug.  
UK, US or CH plugs should be specified with order.



### 🧰 CARRY TOOL

WindPro tool / UYUP480945  
Optional accessory. Pulling force 6-8 kg max.

### 📄 TECHNICAL SPECIFICATION

ARTICLE	POSTER	ILLUMINATION		POWER CONSUMPTION	
		Energy Saving	Bright Mod	Energy Saving	Bright Mod
USWL000NA1	594 X 841 mm	Energy Saving	Bright Mod	Energy Saving	Bright Mod
USWL000NA1	594 X 841 mm	1000 LUX	2000 LUX	15 W	30 W

### 🔧 PRODUCT FEATURES

- Patented product
- Outdoor use, IP certified
- Adjustable brightness:
  - ✓ Bright Mode: approx. 9 hours (2000-2200 Lux)
  - ✓ Energy Saving Mode: approx. 18 hours (1000-1100 Lux)
- \*This information is based on average temperature of 23°C.
- Complete with accessories: battery, charger.
- Chrome coated zamak corners provide mitred look and yet soft finish corners
- UV resistant covers
- 12 locks keeps the poster safe.

### 💡 LED FEATURES (Duris S5)

**Viewing angle at 50 % IV:** 120°

**Color:** 2700 K - 6500 K (white)

**CRI:** Min. 80 ( typ. 82 )

**Luminous Flux:** Typ. 28 lm @ 3000 K

**Luminous efficacy:** Typ. 149 lm/W @ 3000 K

**Lumen Maintenance:** Testing according to IESNA LM-80 in progress

**Life Time :** 50.000 Hours

Colour: 5700 K -6500 K (White)\*

\*For special inquired colour is available in 2700 K -6500 K



### 📄 ASSEMBLY SHEET / MANUAL



See for the details in manual

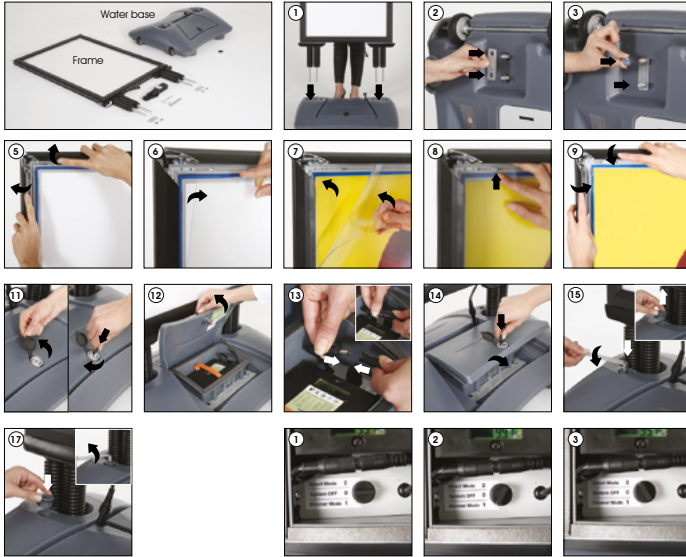


T: +90 850 433 67 85 / [info@mtdisplays.com](mailto:info@mtdisplays.com) / [www.mtdisplays.com](http://www.mtdisplays.com)

# INSTALLATION INSTRUCTIONS

## Windpro with LED Plus / 1011467H000

- Each product includes**
- 1 x Frame
  - 1 x Water Base
  - 1 x Battery
  - 1 x RF Receiver
  - 2 x Remote control
  - 2 x Washer
  - 4 x Nut M10
  - 1 x 19 Spanner
  - 1 x Drum cap wrench
  - 1 x Key



System off 0

Dimmer Mode 1: Remote control will be activate. The frame works with %50 or %100 bright.

Direct Mode 2: The battery connect directly to illumination. The frame works with %100 bright.



### One button can shows four specifications



Capacity of Battery (0 - 100 %)

Instant consumption (0 - 2) Ampere

Capacity of battery (0 - 8) Ampere/hour

Battery voltage (20 - 26,6) Volt

- Please inform the order number on the product or on the carton (e.g. 1/110001394-460) to the place that you have made the purchase if any problem with the product occurs.
- All rights reserved. All pictures, figures and writings are secured internationally by copy-right law. Infringements will be sued by civil and legal law.

This technical sheet's contents are all subject to update and modification at MT Displays' exclusive discretion. There is nothing official about this document. For final and legally binding information, please get in touch with the sales staff at MT Displays.



T: +90 850 433 67 85 / info@mtdisplays.com / www.mtdisplays.com