

ILLUMINATED WINDPRO WITH LED



EYE CATCHING LED SIDEWALK SIGN WITH SPRING AND RECHARGEABLE BATTERY

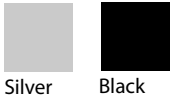
MT Displays' innovative and user friendly Illuminated WindPro with LED is an eye-catcher product will attract consumers to message and place. Energy saving and bright modes are applied with switch easily. Life PO4 battery which provides high power on low weight is hidden on the base to give a neat look at Illuminated WindPro. Lockable UV polycarbonate covers and locked battery compartment keep the poster and battery in safe. The upper frame is weatherproof non-snap body, has elastic rope that hinges the cover and can be secured via 12 locks. The installation of visual is very simple by inserting the visual upwards into metal poster clips.

KEY SELECTION ATTRIBUTES

- * Patent-protected, double-sided Pavement Sign illuminated with LED technology, equipped with a heavy waterbase and swinging steel spring design for flexibility and stability.
- * Energy saving and bright modes are applied with a switch.
- * Life P04 battery which provides high power on low weight is stored in a lockable compartment in the base. Battery is shipped at full charge capacity, see digital LED indication on battery to recharge. It can not be charged in the product.
- * Suitable for A1 size posters.
- * Weatherproof IP56: Suitable for rainy conditions. Upper frame is non-snap body with elastic rope that hinges the cover and can be secured via 12 locks.
- * One set includes a double sided non-snap swing frame with UV Polycarbonate covers and 40mm printed borders, heavy waterbase with battery compartment and wheels, one battery, one RF receiver, 2 remote control, one waterbase key, one frame key, 2 washers, 4 nuts, one spanner, one drum cap wrench for installation.
- * Optional cable lock kit and carry tool are available.
- * The wheels ensure the movement of the unit.
- * Chrome coated zamak mitred look and yet soft finish corners. Standard color for waterbase is metallic grey while other colors are available upon request.
- * The installation of visual is very simple by inserting the visual upwards into metal poster clips. Packed unassembled with an easy mounting instruction sheet & fixing set. 3 packs. See info chart for pack sizes.



COLOURS IN STOCK



Silver Black

SUITABLE FOR

Illuminated WindPro with LED can be used for INDOOR and rainy OUTDOOR applications, for signage needs in many locations like shopping centers, markets, groceries, hotels, offices airports, shops and stores, hospitals, schools, apartments and many more.

WATCH VIDEO

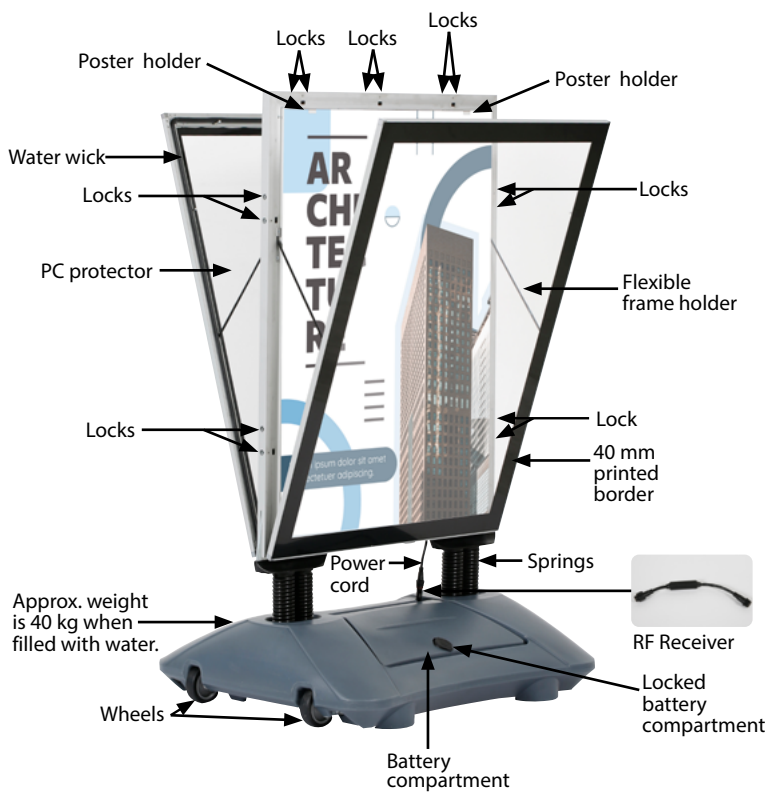


Watch video at our website www.mtdisplays.com

FEATURES



EXPLODED VIEW



Cable lock kit for WindPro 2100mm. TZZZ998701

WindPro tool UYUP480945 Included in each box.



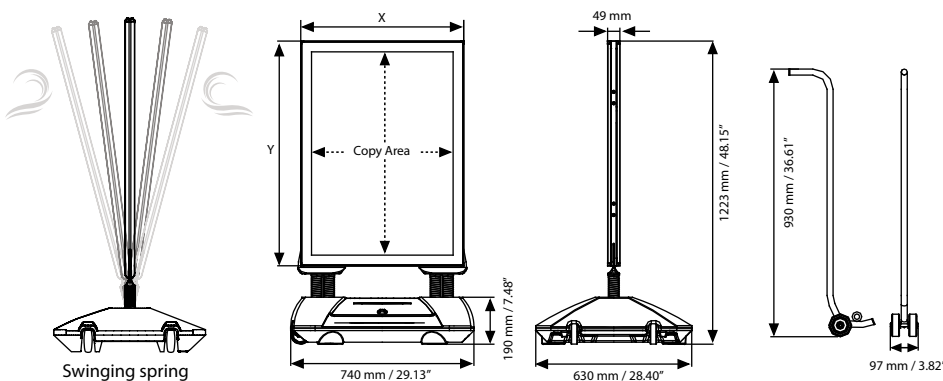
Remote Control



Rechargeable battery. 2 kg, 26,6 Volt, 10 A LIFEPO4 model. UYPSWL0010



TECHNICAL DRAWING



In case of any claim, user is required to return product or any parts to manufacture for analyses at their cost. As long as the manufacturer confirms the problem is a manufacturing fault, the replacement can be provided. This applies for all illuminated products.



T: +90 850 433 67 85 / info@mtdisplays.com / www.mtdisplays.com

ARTICLES

ARTICLE	EXTERNAL (x-y)	POSTER	COPY	WEIGHT	PACKING SIZE
				WITH PACKING	*W X H X D
USWL000NA1	658 X 907 mm	594 X 841 mm	572 X 821 mm	37,900 kg	840 X 1420 X 112 mm / 680 X 780 X 198 mm 230 X 970 X 105 mm

PHYSICAL DATA

Material

49mm aluminium profile non-snap swing frame, UV polycarbonate covers with 40mm printed borders, LDPE Resin waterbase, produced in rotation molding line.

Poster Material & Thickness

0,25 mm for standard product. Max duratrans thickness is 7 mm. Any non-standard duratrans thicknesses should be indicated with order.

Surface Finish

Chrome coated zamak mitred look and yet soft finish corners. Standard color for waterbase is metallic grey while other colors are available upon request.

Recycled Content

For frame part up to 78% and for base part up to 40% recycled content used.

Warranty

All products are guaranteed for 3 years by MT Displays with below conditions:
[Warranty Conditions](#)

Installation Considerations

The installation of visual is very simple by inserting the visual upwards into metal poster clips. Packed unassembled with an easy mounting instruction sheet & fixing set. 3 packs. See info chart for pack sizes. One set includes a double sided non-snap swing frame with 40mm printed border, heavy waterbase with battery compartment and wheels, one battery, one RF receiver, 2 remote control, one waterbase key, one frame key, 2 washers, 4 nuts, one spanner, one drum cap wrench for installation. Optional cable lock kit and carry tool are available.

Storage Conditions

Goods should be stored at 0° to 25°C in a dry place. Store in the original package.

Cleaning and Disinfecting

Clean your displays, with damp microfiber clothes, rinsed with simply water or warm, soapy or gentle shampooed water. Avoid using vinegar, abrasive, acidic, alcohol-based or heavy cleaners or cleaners containing Ammonia. Only after cleaning the product, if needed, simply apply disinfectant or sanitizer that is in compliance with your local guidelines and regulations.

PRINT TEMPLATES

Illuminated Windpro with LED - A1

Document Size: 604 x 851 mm (Includes Bleeds)
Finished Size: A1 (594 x 841 mm) [Print](#)

Design Considerations

Patent-protected, double-sided Pavement Sign illuminated with LED technology, equipped with a heavy waterbase and swinging steel spring design for flexibility and stability. Energy saving and bright modes are applied with a switch. Life P04 battery which provides high power on low weight is stored in a lockable compartment in the base. Battery is shipped at full charge capacity, see digital LED indication on battery to recharge. It can not be charged in the product. Suitable for A1 size posters available with soft finish corners for raising safety level on the pavement. Weatherproof IP56: Suitable for rainy conditions. Upper frame is non-snap body with elastic rope that hinges the cover and can be secured via 12 locks. The wheels ensure the movement of the unit.

Patent

OHIM DM/084 128

ILLUMINATED PRODUCTS TECHNICAL MANUAL

! WARNING

- Do not charge the battery in the lockable compartment of the base.
- Battery will be shipped at full charge capacity see digital indication on the battery to recharge.
- Battery should be stored fully charged
- If not in use, every 3 months battery should be recharged.
- Do not keep the base in water more than 10cm as it may let the water in battery compartment.

BATTERY & BATTERY CHARGER



- 29.2 V DC
- Complete with charger
- 1 year guaranteed

UYPSWL0010
Spare battery

Delivered with 2 meter long cable and EU plug.
UK, US or CH plugs should be specified with order.



CARRY TOOL

WindPro tool / UYUP480945
Optional accessory. Pulling force 6-8 kg max.

TECHNICAL SPECIFICATION

ARTICLE	POSTER	ILLUMINATION		POWER CONSUMPTION	
		Energy Saving	Bright Mod	Energy Saving	Bright Mod
USWL000NA1	594 X 841 mm	1000 LUX	2000 LUX	15 W	30 W

PRODUCT FEATURES

- Patented product
- Outdoor use, IP certified
- Adjustable brightness:
 - ✓ Bright Mode: approx. 9 hours (2000-2200 Lux)
 - ✓ Energy Saving Mode: approx. 18 hours (1000-1100 Lux)
- *This information is based on average temperature of 23°C.
- Complete with accessories: battery, charger.
- Chrome coated zamak corners provide mitred look and yet soft finish corners
- UV resistant covers
- 12 locks keeps the poster safe.

LED FEATURES (Duris S5)

Viewing angle at 50 % IV: 120°

Color: 2700 K - 6500 K (white)

CRI: Min. 80 (typ. 82)

Luminous Flux: Typ. 28 lm @ 3000 K

Luminous efficacy: Typ. 149 lm/W @ 3000 K

Lumen Maintenance: Testing according to IESNA LM-80 in progress

Life Time : 50.000 Hours

Colour: 5700 K -6500 K (White)*

*For special inquired colour is available in 2700 K -6500 K



ASSEMBLY SHEET / MANUAL



See for the details in manual



T: +90 850 433 67 85 / info@mtdisplays.com / www.mtdisplays.com

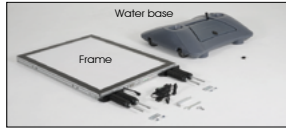
INSTALLATION INSTRUCTIONS

Illuminated Windpro / 1008624

Each product package includes

mounting accessories

- 1 x Frame
- 1 x Water Base
- 1 x Battery
- 1 x RF Receiver
- 2 x Remote control
- 2 x Washer
- 4 x Nut M10
- 1 x 19 Spanner
- 1 x Drum cap wrench
- 1 x Water base key
- 1 x Frame key

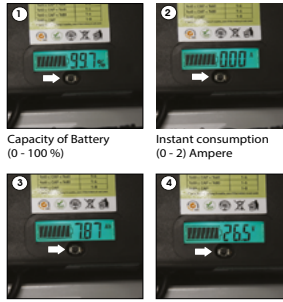


System off 0

Dimmer Mode 1: Remote control will be activate. The frame works with %50 or %100 bright.

Direct Mode 2: The battery connect directly to illumination. The frame works with %100 bright.

One button can shows four specifications



Capacity of Battery (0 - 100 %)

Instant consumption (0 - 2) Ampere

Capacity of battery (0 - 8) Ampere/hour

Battery voltage (20 - 26,6) Volt



- Please inform the order number on the product or on the carton (e.g. 1/110001394-460) to the place that you have made the purchase if any problem with the product occurs.

- All rights reserved. All pictures, figures and writings are secured internationally by copy-right law. Infringements will be sued by civil and legal law.

This technical sheet's contents are all subject to update and modification at MT Displays' exclusive discretion. There is nothing official about this document. For final and legally binding information, please get in touch with the sales staff at MT Displays.



T: +90 850 433 67 85 / info@mtdisplays.com / www.mtdisplays.com