

LOCKABLE SNAP FRAME



ENSURE YOUR POSTERS ARE NEVER ACCESSED BY UNAUTHORIZED PARTIES

The lockable poster frame is simple to use with flip open sides. The four sides of the lockable frame open sequentially. The last profile is held in place with a screw on top that can be opened with its key. All you need to do is unlock the frame with the special allen key that is included with the product and snap open all four sides. Then you can place your printed poster and the plastic, clear non-glare cover over it and snap close. It only takes seconds to update your printed posters. This system ensures your poster is never accessed by unauthorized third parties. Clear, plastic, non-glare cover prevents glare as well as keeps your poster away from dust and dirt.

KEY SELECTION ATTRIBUTES

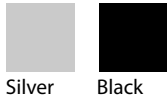
- Ideal for various poster sizes.
- Natural silver-anodized and various RAL colors available with antimicrobial powder coating.
- Standard mitred corners.
- Secured with an Allen Key.
- One allen key locks one side of frame and interlocks 3 sides.
- Optional V-Hangers for easy mounting.



Silver Anodised, mitred

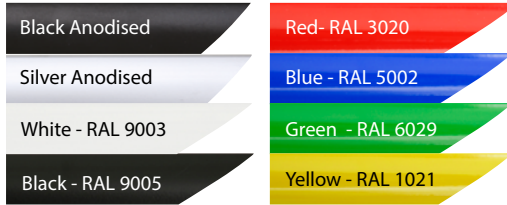


COLOURS IN STOCK

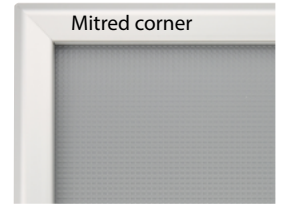


Silver Black

COLOUR OPTIONS



CORNER TYPES



SUITABLE FOR

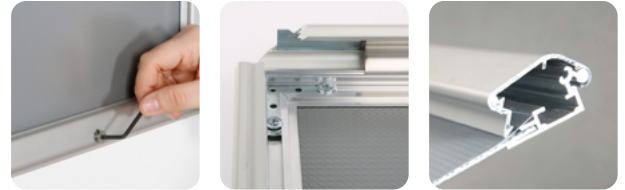
Lockable Snap Frame can be used for INDOOR applications, for signage needs in many locations like shopping centers, markets, groceries, hotels, offices airports, shops and stores, hospitals, schools, apartments, museums, restaurants and many more.

WATCH VIDEO

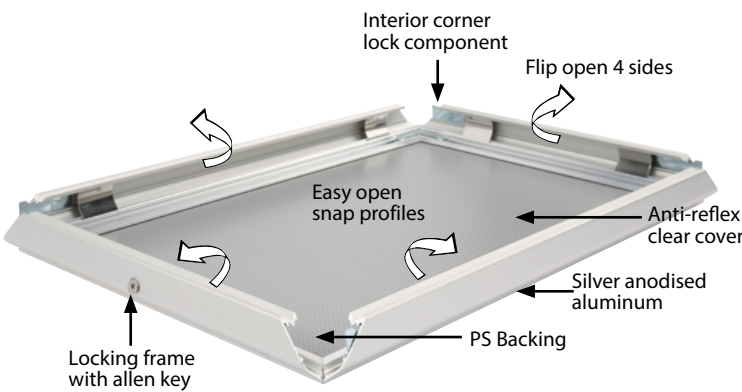


Watch video at our website www.mtdisplays.com

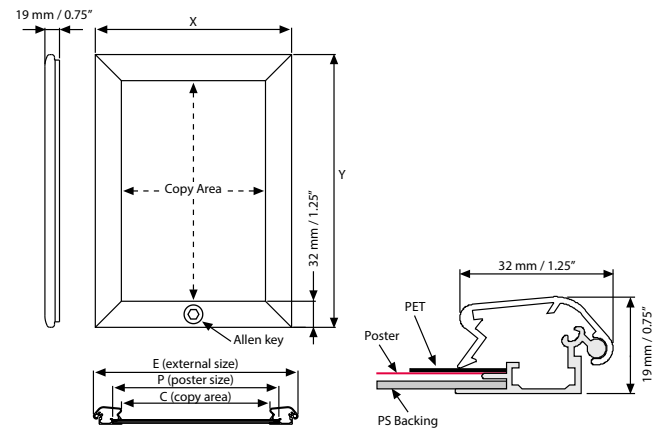
FEATURES



EXPLODED VIEW



TECHNICAL DRAWING



ARTICLES

ARTICLE	EXTERNAL (x-y)	POSTER	COPY	WEIGHT	PACKING SIZE
				WITH PACKING	*W X H X D
UCL325NOA4	253 X 340 mm	210 X 297 mm	190 X 277 mm	0,800 kg	260 X 360 X 31 mm
UCL325NOA3	340 X 463 mm	297 X 420 mm	277 X 400 mm	1,170 kg	360 X 480 X 31 mm
UCL325NOA2	463 X 637 mm	420 X 594 mm	400 X 574mm	1,680 kg	460 X 670 X 31 mm
UCL325NOA1	637 X 884 mm	594 X 841 mm	574 X 821 mm	3,100 kg	660 X 910 X 31 mm
UCL325NOA0	884 X 1232 mm	841 X 1189 mm	821 X 1169 mm	5,600 kg	910 X 1270 X 31 mm
UCL325NOB2	543 X 743 mm	500 X 700 mm	480 X 680 mm	2,600 kg	560 X 760 X 31 mm
UCL325NOB1	743 X 1043 mm	700 X 1000 mm	680 X 980 mm	3,800 kg	760 X 1060 X 31 mm
UCL325NOB0	1043 X 1443 mm	1000 X 1400 mm	980 X 1380 mm	6,120 kg	1060 X 1460 X 31 mm
UCL325NO18	19.72" X 25.71"	18" X 24"	17.24" X 23.23"	3.306 lbs	20.47" X 26.38" X 1.22"
UCL325NO23	21.69" X 31.69"	20" X 30"	19.21" X 29.21"	6.944 lbs	22.44" X 32.28" X 1.22"
UCL325NO22	23.70" X 29.69"	22" X 28"	21.22" X 27.20"	5.732 lbs	24.41" X 30.71" X 1.22"
UCL325NO24	25.71" X 37.68"	24" X 36"	23.23" X 35.20"	5.621 lbs	27.17" X 38.58" X 1.22"
UCL325NO34	31.69" X 41.69"	30" X 40"	29.21" X 39.21"	8.818 lbs	32.68" X 42.52" X 1.22"
UCL325NO46	41.69" X 61.69"	40" X 60"	39.21" X 59.21"	15.652 lbs	42.13" X 62.60" X 1.22"

OPTIONAL ACCESSORIES



V Hanger / UYAA011010

PHYSICAL DATA

Material

32 mm aluminum profiles.
PET poster cover, PS backing or ABS backing.

Poster Material & Thickness

0,10 – 0,20 mm for standard product. Max poster thickness is 2 mm. Any non-standard poster thicknesses should be indicated with order.

Surface Finish

Silver anodized or black colour, antimicrobial powder coating. Custom colors also available, call for custom color requests.

Recycled Content

Up to 78% recycled content used.

Warranty

All products are guaranteed for 3 years by MT Displays with below conditions:
[Warranty Conditions](#)

Installation Considerations

Each frame includes an allen key to open the locked profile. Each frame includes wall fixing (4 screws & 4 plugs). 'Optional hangers' permit easy mounting.

Design Considerations

Suitable for silk screen printing, max. letter height is 16 mm.

Cleaning and Disinfecting

Clean your displays, with damp microfiber clothes, rinsed with simply water or warm, soapy or gentle shampooed water. Avoid using vinegar, abrasive, acidic, alcohol-based or heavy cleaners or cleaners containing Ammonia. Only after cleaning the product, if needed, simply apply disinfectant or sanitizer that is in compliance with your local guidelines and regulations.



T: +90 850 433 67 85 / info@mtdisplays.com / www.mtdisplays.com

PRINT TEMPLATES

Lockable Snap Frame - A4

Document Size: 220 x 307 mm (Includes Bleeds)
Finished Size: A4 (210 x 297 mm) [Print](#)

Lockable Snap Frame - A3

Document Size: 307 x 430 mm (Includes Bleeds)
Finished Size: A3 (297 x 420 mm) [Print](#)

Lockable Snap Frame - A2

Document Size: 430 x 604 mm (Includes Bleeds)
Finished Size: A2 (420 x 594 mm) [Print](#)

Lockable Snap Frame - A1

Document Size: 604 x 851 mm (Includes Bleeds)
Finished Size: A1 (594 x 841 mm) [Print](#)

Lockable Snap Frame - A0

Document Size: 851 x 1199 mm (Includes Bleeds)
Finished Size: A0 (841 x 1189 mm) [Print](#)

Lockable Snap Frame - B2

Document Size: 510 x 710 mm (Includes Bleeds)
Finished Size: B2 (500 x 700 mm) [Print](#)

Lockable Snap Frame - B1

Document Size: 710 x 1010 mm (Includes Bleeds)
Finished Size: B1 (700 x 1000 mm) [Print](#)

Lockable Snap Frame - B0

Document Size: 1010 x 1410 mm (Includes Bleeds)
Finished Size: B0 (1000 x 1400 mm) [Print](#)

Lockable Snap Frame 1.25" - 18"x24"

Document Size: 18.4" x 24.4" (Includes Bleeds)
Finished Size: 18"x24" (457.2x609.6 mm)

Lockable Snap Frame 1.25" - 20"x30"

Document Size: 20.4" x 30.4" (Includes Bleeds)
Finished Size: 20"x30" (508x762 mm) [Print](#)

Lockable Snap Frame 1.25" - 22"x28"

Document Size: 22.4" x 28.4" (Includes Bleeds)
Finished Size: 22"x28" (558.8x711.1 mm)

Lockable Snap Frame 1.25" - 24"x36"

Document Size: 24.4" x 36.4" (Includes Bleeds)
Finished Size: 24"x36" (609.6x914.4 mm)

Lockable Snap Frame 1.25" - 30"x40"

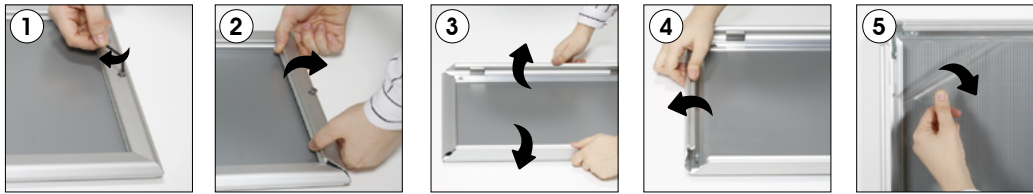
Document Size: 30.4" x 40.4" (Includes Bleeds)
Finished Size: 30"x40" (762x1016 mm) [Print](#)

Lockable Snap Frame 1.25" - 40"x60"

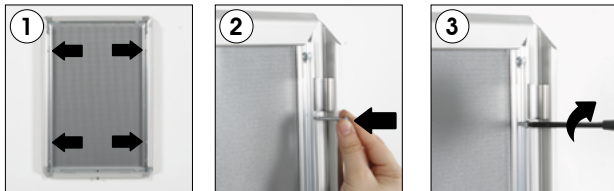
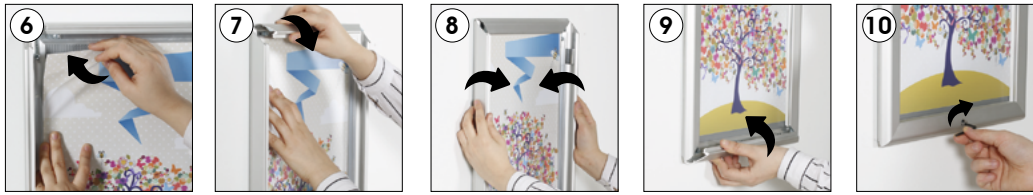
Document Size: 40.4" x 60.4" (Includes Bleeds)
Finished Size: 40"x60" (1016x1524 mm) [Print](#)

INSTALLATION INSTRUCTIONS

Lockable Snap Frame / 1001863



Allen key to open the locked profile.



Screw & anchor mounting

Each frame includes wall mounting accessories (4 screws & 4 anchors) and allen key



- Please inform the order number on the product or on the carton (e.g. 1/110001394-460) to the place that you have made the purchase if any problem with the product occurs.
- All rights reserved. All pictures, figures and writings are secured internationally by copy-right law. Infringements will be sued by civil and legal law.

This technical sheet's contents are all subject to update and modification at MT Displays' exclusive discretion. There is nothing official about this document. For final and legally binding information, please get in touch with the sales staff at MT Displays.



T: +90 850 433 67 85 / info@mtdisplays.com / www.mtdisplays.com