

MAGNETIC IRON A BOARD



DOUBLE SIDED SIDEWALK SIGNS WITH MAGNETIC COVER DESIGN

Stable & heavy pavement sign, used from both sides. There is a magnetic cover placed over the poster. The poster sizes are A1, 500x700 mm, 700x100 mm. Other sizes are available upon request. Suitable for highly frequented public areas.

KEY SELECTION ATTRIBUTES

- * Heavy outdoor poster stand.
- * Double-sided Pavement Sign with magnetic poster cover design.
- * Suitable for different poster sizes A1, A2, B1, B2, 22"x28", 20"x30", 24"x36" and 30"x40".
- * Custom sizes available with MOQ.
- * One set includes double sided galvanized steel frames with headers, 2 anti-reflex magnetic poster covers, hinge, and scissors for keeping the system stable.
- * Header is standard supplied and provides space for corporate logo.
- * Plastic feet avoid scratches of the unit and the ground.
- * Backing tray is galvanized in standard product, powder coating is optional.
- * Natural silver-anodized, black and white in standard and various RAL colors available with antimicrobial powder coating with MOQ.
- * Packed in a single box & assembled. No tool assembly.
- * Finger slots allow for an easy change of the poster.



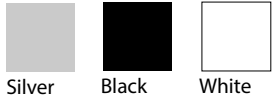
Black



White



COLOURS IN STOCK



Silver Black White

COLOUR OPTIONS



SUITABLE FOR

Iron A Boards can be used for INDOOR and OUTDOOR applications, for signage needs in highly frequented public areas like shopping centers, markets, groceries, hotels, offices airports, shops and stores, hospitals, schools, apartments and many more.

WATCH VIDEO

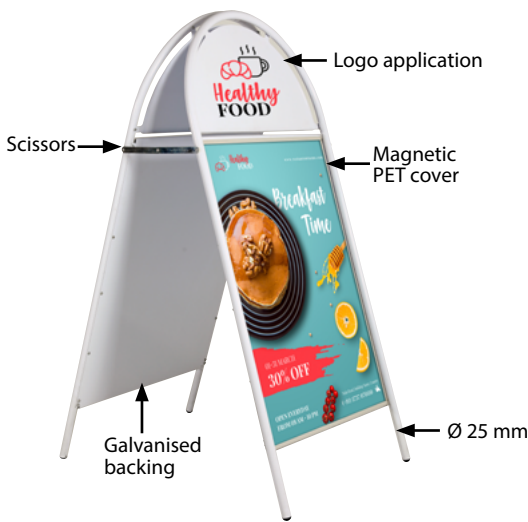


Watch video at our website
www.mtdisplays.com

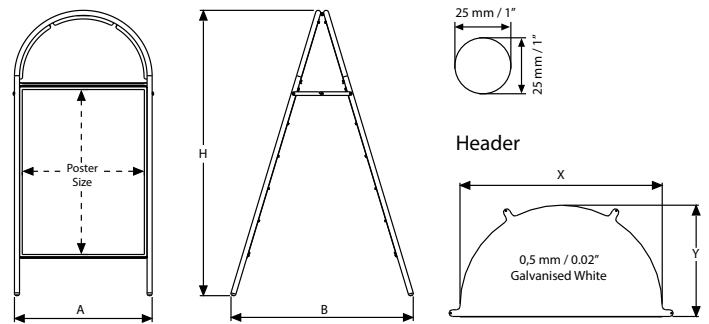
FEATURES



EXPLODED VIEW



TECHNICAL DRAWING



ARTICLES

WHITE	BLACK	GRAY	POSTER	A	B	H
UABD255NA2	UABD255BA2	UABD255GA2	420 X 594 mm	500 mm	700 mm	1065 mm
UABD255NA1	UABD255BA1	UABD255GA1	600 X 850 mm	680 mm	900 mm	1410 mm
UABD255NB2	UABD255BB2	UABD255GB2	500 X 700 mm	580 mm	700 mm	1150 mm
UABD255NB1	UABD255BB1	UABD255GB1	700 X 1000 mm	780 mm	1000 mm	1630 mm
UABD255N23	UABD255B23	UABD255G23	508 X 762 mm	588 mm	850 mm	1220 mm
UABD255N34	UABD255B34	UABD255G34	762 X 1016 mm	842 mm	1000 mm	1000 mm

WEIGHT	PACKING SIZE	HEADER					
		WHITE	BLACK	GRAY	POSTER	X	Y
WITH PACKING	*W X H X D	WHITE	BLACK	GRAY	POSTER	X	Y
TBA	590 X 1120 X 75 mm	UABD255NA2	UABD255BA2	UABD255GA2	420 X 594 mm	420 mm	240 mm
TBA	710 X 1510 X 75 mm	UABD255NA1	UABD255BA1	UABD255GA1	600 X 850 mm	600 mm	330 mm
TBA	610 X 1320 X 75 mm	UABD255NB2	UABD255BB2	UABD255GB2	500 X 700 mm	500 mm	280 mm
TBA	810 X 1750 X 75 mm	UABD255NB1	UABD255BB1	UABD255GB1	700 X 1000 mm	700 mm	380 mm
TBA	610 X 1320 X 75 mm	UABD255N23	UABD255B23	UABD255G23	508 X 762 mm	508 mm	284 mm
TBA	810 X 1800 X 75 mm	UABD255N34	UABD255B34	UABD255G34	762 X 1016 mm	762 mm	411 mm

PHYSICAL DATA

Material

Ø25mm steel profile frame, galvanized steel backing and header, PET anti-reflex poster cover with magnetic edges.

Poster Material & Thickness

0,10 – 0,20 mm for standard product. Max poster thickness is 1,5 mm. Any non-standard poster thicknesses should be indicated with order.

Surface Finish

Natural silver-anodized, black and white in standard and various RAL colors available with antimicrobial powder coating. Backing tray is galvanized in standard product, powder coating is optional. Call for custom color requests.

Recycled Content

Up to 78% recycled content used.

Warranty

All products are guaranteed for 3 years by MT Displays with below conditions:
[Warranty Conditions](#)

Installation Considerations

Iron A Boards are packed assembled in a single box with an easy-to-understand instruction sheet. One set includes double sided galvanized steel frames with standard headers, 2 anti-reflex magnetic poster covers, hinge, and scissors for keeping the system stable. Finger slot allows for an easy change of the poster. No tool assembly.

Storage Conditions

Goods should be stored at 0° to 25°C in a dry place. Store in the original package.



T: +90 850 433 67 85 / info@mtdisplays.com / www.mtdisplays.com

Design Considerations

Double-sided Pavement Sign with magnetic poster cover design. Suitable for different poster sizes A1, A1, B1, B2, 22"x28", 20"x30", 24"x36" and 30"x40" with a sight angle that stops passers-by. Header is standard supplied and provides space for corporate logo. Heavy steel feet provide stability.

Cleaning and Disinfecting

Clean your displays, with damp microfiber clothes, rinsed with simply water or warm, soapy or gentle shampooed water. Avoid using vinegar, abrasive, acidic, alcohol-based or heavy cleaners or cleaners containing Ammonia. Only after cleaning the product, if needed, simply apply disinfectant or sanitizer that is in compliance with your local guidelines and regulations.

PRINT TEMPLATES

Magnetic Iron A Board - A2

Document Size: 430 x 604 mm (Includes Bleeds)
Finished Size: A2 (420 x 594 mm) [Print](#)

Magnetic Iron A Board - A1

Document Size: 604 x 851 mm (Includes Bleeds)
Finished Size: A1 (594 x 841 mm) [Print](#)

Magnetic Iron A Board - B2

Document Size: 510 x 710 (Includes Bleeds)
Finished Size: B2 (500 x 700 mm) [Print](#)

Magnetic Iron A Board - B1

Document Size: 710 x 1010 (Includes Bleeds)
Finished Size: B1 (700 x 1000 mm) [Print](#)

Magnetic Iron A Board - 22" x 28"

Document Size: 22.4" x 28.4" (Includes Bleeds)
Finished Size: 22" x 28" (558.8 x 711.2 mm)

Magnetic Iron A Board - 20" x 30"

Document Size: 20.4" x 30.4" (Includes Bleeds)
Finished Size: 20" x 30" (508 x 762 mm) [Print](#)

Magnetic Iron A Board - 24" x 36"

Document Size: 24.4" x 36.4" (Includes Bleeds)
Finished Size: 24" x 36" (609,6 x 914,4 mm)

Magnetic Iron A Board - 30" x 40"

Document Size: 30.4" x 40.4" (Includes Bleeds)
Finished Size: 30" x 40" (762 x 1016mm) [Print](#)

INSTALLATION INSTRUCTIONS

Magnetic Iron A Board / 1002035



Each pack includes 2 PET cover

• Please inform the order number on the product or on the carton (e.g. 1/110001394-460) to the place that you have made the purchase if any problem with the product occurs.

• All rights reserved. All pictures, figures and writings are secured internationally by copy-right law. Infringements will be sued by civil and legal law.

This technical sheet's contents are all subject to update and modification at MT Displays' exclusive discretion. There is nothing official about this document. For final and legally binding information, please get in touch with the sales staff at MT Displays.



T: +90 850 433 67 85 / info@mtdisplays.com / www.mtdisplays.com