

MODERN EASEL



A SOLID PRESENTING SOLUTION FOR YOUR ADS, MENU ITEMS, PROMOTIONS AND NOTES

Made of Beechwood, Easel is a solid product for commercial use. Adjustable easel accommodates varying canvas sizes. It is made to be sturdy, strong, and will last in retail settings. Adjustable back support ensures stability of the easel and comfortable use at different angles. It folds flat for easy storage.

KEY SELECTION ATTRIBUTES

- * Modern Easel with a modern look, made of Beech Wood.
- * Made to be sturdy, strong and long lasting for commercial use, especially in retail settings.
- * Ideal for presenting, ads, menus, promotions, messages and notes.
- * Perfect way to present/change the posters/messages on a shelf.
- * One set includes wooden parts of whole body and various hardware parts for assembly.
- * Comes with magnetic buttons and eraser.
- * Optional accessories like magnetic glassboards or opti-frames are not included.
- * You can adjust height and angle of easel for accomodating various canvas sizes: B2 up to A0.
- * Adjustable back support ensures comfortable use at different angles.
- * Easy to move and stabilize by lockable casters.
- * Easy to fold flat for easy storage.
- * Packed unassembled in a sturdy box.



SUITABLE FOR

Modern Easels can be used for INDOOR applications, for signage needs in many locations like shopping centers, markets, groceries, hotels, offices airports, shops and stores, hospitals, schools, apartments and many more.

WATCH VIDEO

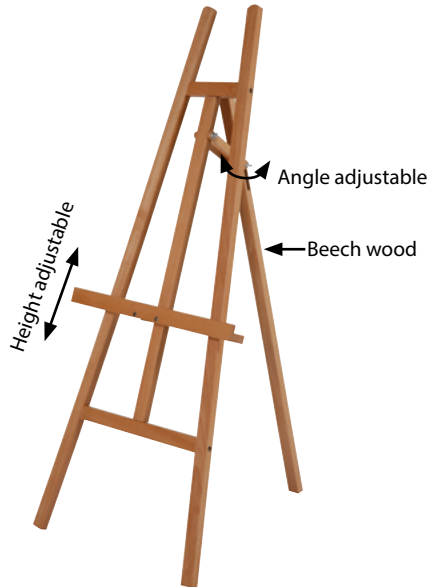


Watch video at our website
www.mtdisplays.com

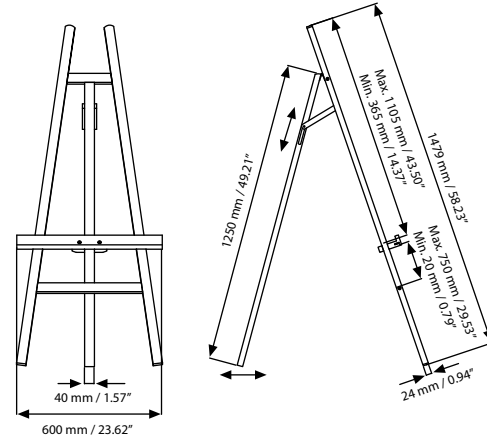
FEATURES



EXPLODED VIEW



TECHNICAL DRAWING



ARTICLES

ARTICLE	SIZE	WEIGHT	PACKING SIZE
		WITH PACKING	*W X H X D
USLM000015	600 X 790 X 1480 mm	5,000 kg	115 X 1530 X 75 mm

OPTIONAL ACCESSORIES



Colour chalkboard marker. 10 mm wide. 5 Pcs. / UYAKLM1251



White chalkboard marker for Wood Display. 10 mm wide. 3 Pcs / UYAKLM1250



Opti Frame 25 mm
A2, A1, A0, B2, B1, B0, 22"x28", 20"x30", 24"x36", 30"x40"



Snap Frame 25 mm
A2, A1, A0, B2, B1, B0, 22"x28", 20"x30", 24"x36", 30"x40"



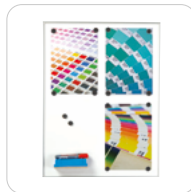
Magnetic Glassboard.
Black, Red, White colours.
400x600 mm, 600x900 mm



Frameless Frame.
400x600 mm, 600x900 mm, 600x800 mm.



Easy Wood Frame.
Natural wood, Dark wood.
480x680 mm, 680x980 mm, 680x880 mm.



Frameboard 9 mm
Cork, Magnetic, M&C
4xA4, 6xA4



CHALKBOARD PANEL
UYPBAD1010
UYPBAD1020

PHYSICAL DATA

Material

Easel, made of Beech Wood.

Surface Finish

Natural Wood with a modern look.

Recycled Content

N/A

Poster Material & Thickness

A modern easel with a shelf is perfect for use with accessories like opti-frames, magnetic glassboards or chalkboard panels.

Warranty

All products are guaranteed for 1 years by MT Displays with below conditions:
[Warranty Conditions](#)

Installation Considerations

Packed unassembled in a sturdy box with an easy to understand instruction. One set includes wooden parts of whole body and various hardware parts for joining. Comes with magnetic buttons and eraser. Assembly in a short time. Adjustable back support ensures comfortable use at different angles. Easy to move and stabilize by lockable casters. Easy to fold flat for easy storage. Please order the frame accessories separately.

Storage Conditions

Goods should be stored at 0° to 25°C in a dry place. Store in the original package.

Design Considerations

Made to be sturdy, strong and long lasting for commercial use, especially in retail settings.

You can adjust the height and angle of easel for accomodating various canvas sizes: B2 up to A0.

Cleaning and Disinfecting

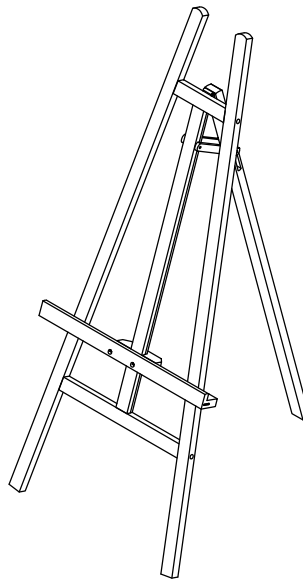
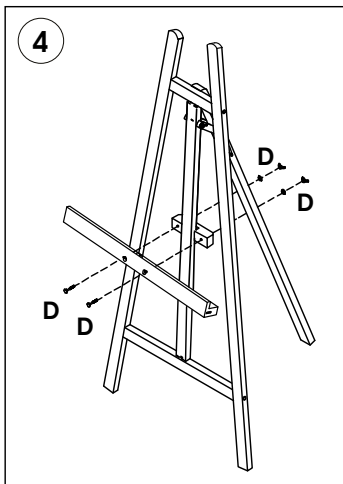
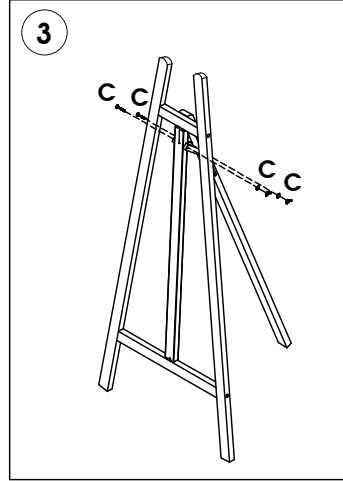
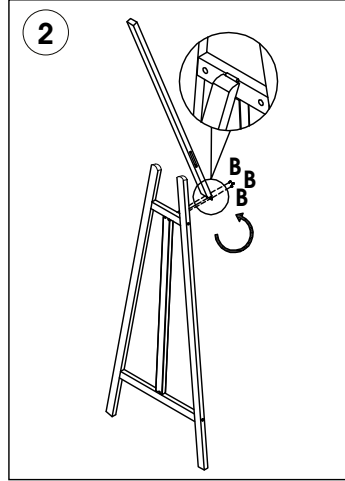
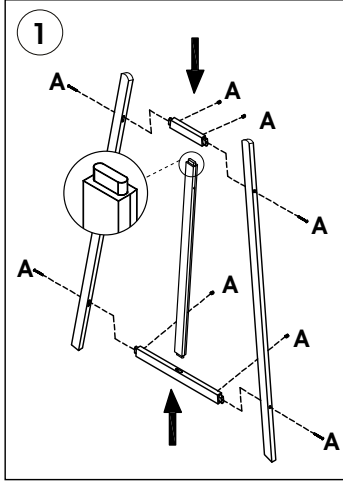
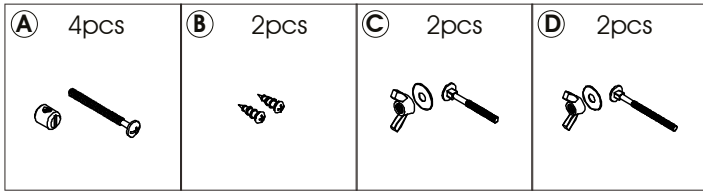
Clean your displays, with damp microfiber clothes, rinsed with simply water or warm, soapy or gentle shampooed water. Avoid using vinegar, abrasive, acidic, alcohol-based or heavy cleaners or cleaners containing Ammonia. Only after cleaning the product, if needed, simply apply disinfectant or sanitizer that is in compliance with your local guidelines and regulations.



T: +90 850 433 67 85 / info@mtdisplays.com / www.mtdisplays.com

INSTALLATION INSTRUCTIONS

Modern Easel / 1010243H000



• Please inform the order number on the product or on the carton (e.g. 1/110001394-460) to the place that you have made the purchase if any problem with the product occurs.
• All rights reserved. All pictures, figures and writings are secured internationally by copy-right law. Infringements will be sued by civil and legal law.

This technical sheet's contents are all subject to update and modification at MT Displays' exclusive discretion. There is nothing official about this document. For final and legally binding information, please get in touch with the sales staff at MT Displays.



T: +90 850 433 67 85 / info@mtdisplays.com / www.mtdisplays.com