

MULTISIDE BROCHURE SET ROTATING



BROCHURE HOLDERS FOR MULTIPLE VARIATIONS OF ACRYLIC SHELVES

4 sided floor display, rotating on a central column which is mounted on a stable and elegant base. Height is 1600 mm, available in black and silver main body options. Shelves are clear in A4 all the time. Multiside Brochure sets have been developed to provide multiple variations at low costs. Different number of shelves can be fitted to make a brochure set which meets your exact needs.

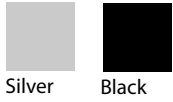
KEY SELECTION ATTRIBUTES

- * Free standing, four sided and decorative brochure holder sets, rotating on a central column mounted on a stable base for meeting different needs by utilizing multiple variations of acrylic shelves at low cost.
- * Suitable for INDOOR public spaces with capacity of holding 5 shelves on each pole for A5, A4, 1/3A4 and 2 x 1/3A4 brochure sizes.
- * One main body set includes 4 robust poles made from 35x22 mm anodised aluminium profiles with 1600 mm height and channels on each pole, 1 decorative rotating base made from powder coated steel with a stable feet design; 20 brochure holder shelf connectors (adapter); screws and bolts for installation.
- * To complete a product, main body and required quantities of shelves need to be ordered separately. Brochure holders are quickly and easily inserted. Each pole is available to carry 5 brochure holders.

- * Please gently push the shelves over the connectors on the pole. The shelf connectors arrive at fixed positions. For individual adjustment please loosen the screws to move up and down. UMSDA008100 and UYUP490000 can be used to form UMSDA005A4 if you have them in your stock.
- * Heavy & stable base for public space. While the main body is rotatable, the robust base is stable and still.
- * Black or natural silver-anodized main body profile, metallic black or gray powder coated steel base and transparent shelf in standard. Custom colors also available, call for custom color requests.
- * Main body of Multiside Brochure Set is packed unassembled with an easy-to understand instruction sheet & fixing elements. See info chart for pack sizes.



COLOURS IN STOCK



Silver Black

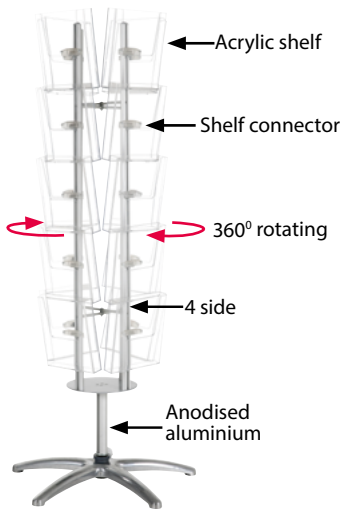
SUITABLE FOR

Multiside Brochure Sets can be used for INDOOR applications, for displaying brochures in many locations like shopping centers, markets, groceries, hotels, offices airports, shops and stores, hospitals, schools, apartments, restaurants, halls, meeting rooms, gas stations and many more.

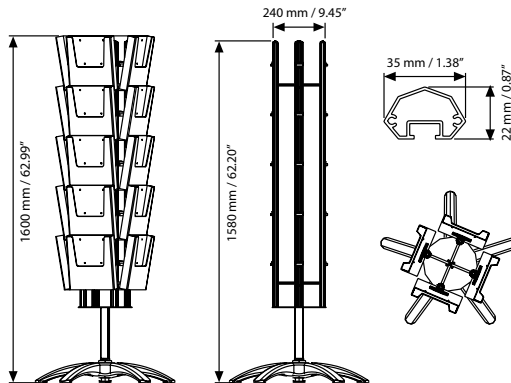
FEATURES



EXPLODED VIEW



TECHNICAL DRAWING



ARTICLES

| ARTICLE | DESCRIPTION | SIZE | WEIGHT | PACKING SIZE |
|------------|-------------------------|----------|--------------|-----------------------------|
| | | | WITH PACKING | *W X H X D |
| UMBSG4D5A4 | Silver main body | 5A4 | 2,920 kg | 290 X 1520 X 105 mm |
| UMBBG4D5A4 | Black main body | 5A4 | 9,080 kg | 460 X 460 X 30 mm |
| UMSDA005A4 | Acrylic Shelf & Adapter | A4 | 2,500 kg | 180 X 240 X 180 mm (5 Pcs) |
| UMSDA012A4 | Acrylic Shelf & Adapter | A4 | 6,000 kg | 270 X 400 X 270 mm (12 Pcs) |
| UMSDA000A5 | Acrylic Shelf & Adapter | A5 | 3,200 kg | 290 X 360 X 190 mm (12 Pcs) |
| UMSDA00A43 | Acrylic Shelf & Adapter | 1/3 A4 | 2,550 kg | 250 X 320 X 180 mm (12 Pcs) |
| UMSDA02A43 | Acrylic Shelf & Adapter | 2X1/3 A4 | 4,350 kg | 250 X 320 X 350 mm (12 Pcs) |

OPTIONAL ACCESSORIES



A4 Acrylic shelf with connector.

A5 Acrylic shelf with connector.

1/3 A4 Acrylic shelf with connector.

2 x 1/3 A4 Acrylic shelf with connector.

PHYSICAL DATA

Material

Aluminium profile main body, steel base and acrylic shelves.

Surface Finish

Black powder coated or natural silver-anodized main body, black or metallic gray RAL 9006 powder coated steel base and transparent shelves in standard. Custom colors also available, call for custom color requests.

Recycled Content

Up to 78% recycled content used.

Storage Conditions

Goods should be stored at 0° to 25°C in a dry place. Store in the original package.

Warranty

All products are guaranteed for 3 years by MT Displays with below conditions:

[Warranty Conditions](#)

Installation Considerations

Main body of Rotating Multiside Brochure Set is packed unassembled with an easy-to-understand instruction sheet & fixing elements. See info chart for pack sizes. One main body set includes 4 robust poles made from 35x22 mm anodised aluminium profiles with 1600 mm height and channels on each pole, 1 decorative rotating base made from powder coated steel with a stable feet design; 20 brochure holder shelf connectors (adapter); screws and bolts for installation. To complete a product, main body and required quantities of shelves need to be ordered separately. Brochure holders are quickly and easily inserted. Each pole is available to carry 5 brochure holders. Please gently push the shelves over the connectors on the pole. The shelf connectors arrive at fixed positions. For individual adjustment please loosen the screws to move up and down. UMSD008100 and UYUP490000 can be used to form UMSDA005A4 if you have them in your stock. Heavy & stable base for public space. While the main body is rotatable, the robust base is stable and still.

Design Considerations

Free standing, four sided and decorative brochure holder sets, rotating on a central column mounted on a stable base for meeting different needs by utilizing multiple variations of acrylic shelves at low cost. Suitable for INDOOR public spaces with capacity of holding 5 shelves on each pole for A5, A4, 1/3A4 and 2 x 1/3A4 brochure sizes.

Cleaning and Disinfecting

Clean your displays, with damp microfiber clothes, rinsed with simply water or warm, soapy or gentle shampooed water. Avoid using vinegar, abrasive, acidic, alcohol-based or heavy cleaners or cleaners containing Ammonia. Only after cleaning the product, if needed, simply apply disinfectant or sanitizer that is in compliance with your local guidelines and regulations.



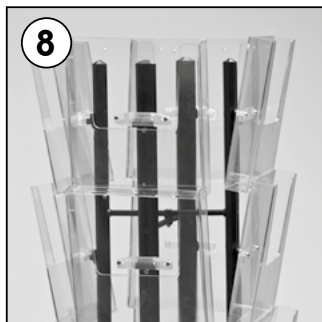
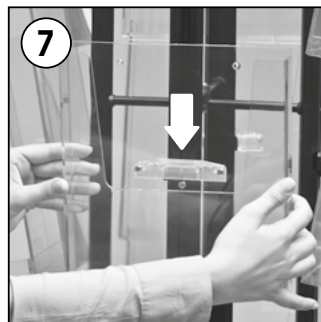
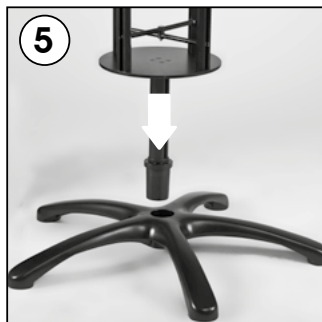
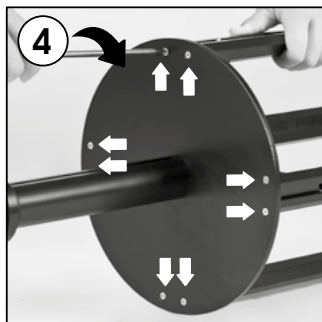
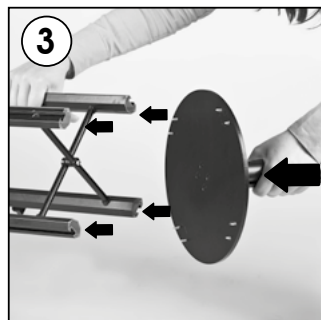
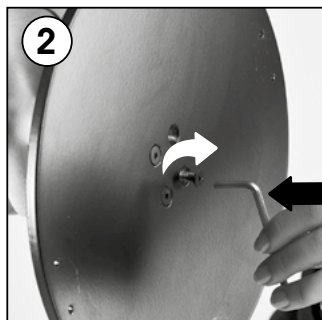
T: +90 850 433 67 85 / info@mtdisplays.com / www.mtdisplays.com

INSTALLATION INSTRUCTIONS

Multiside Brochure Set Rotating / 1007014

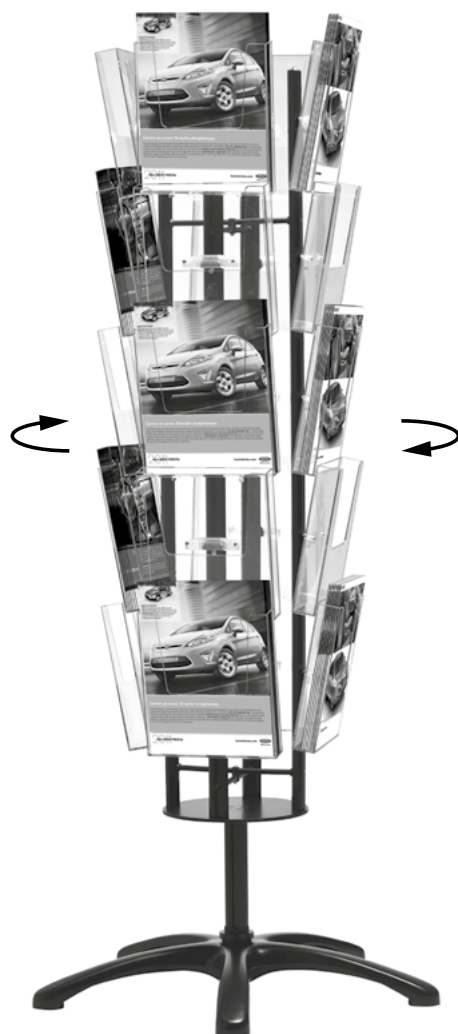
Each product package includes mounting accessories

- 1 x Main body
- 1 x Base
- 8 x Screw 3,9x13 mm
- 4 x Bolt M5x25 mm
- 20 x Brochure Holder adapter



Note: Acrylic brochure holder is not included in the package. Please order separately.

- Please inform the order number on the product or on the carton (e.g. 1/110001394-460) to the place that you have made the purchase if any problem with the product occurs.
- All rights reserved. All pictures, figures and writings are secured internationally by copy-right law. Infringements will be sued by civil and legal law.



This technical sheet's contents are all subject to update and modification at MT Displays' exclusive discretion. There is nothing official about this document. For final and legally binding information, please get in touch with the sales staff at MT Displays.



T: +90 850 433 67 85 / info@mtdisplays.com / www.mtdisplays.com