

## NEWAGE PORTABLE ZICK-ZACK



### FOLDABLE BROCHURE HOLDERS WITH LOCKING MECHANISM

Restyled Newage Portable Zick-Zack is a foldable unit that provides 5 shelves of A4 capacity. Newage Portable Zick-Zack shelves allow to fold the unit while the brochures are still stored in. The size of the bag: 380 x 470 x 280 mm. It's a handy and smart product for mobile presentations and events.

### KEY SELECTION ATTRIBUTES

- \* Single-sided, free standing, brochure holders with portable zick-zack design for keeping minimum 5 brochures at the same time.
- \* Practical and smart for mobile presentations and events with foldable shelves while the brochures are still stored in.
- \* Suitable for INDOOR public spaces with brochure holding capacity of 5xA4 in standard.
- \* One set includes 260x340x350(h)mm powder coated injection molded ABS base and transparent acrylic or powder coated sheet metal foldable shelves with 224mm width and locking mechanism.
- \* Lock the top shelf in position for stable display. Maximum carriage capacity is 7,5 kg. 445mm height when folded, 1345mm height when set up and locked.
- \* Bag is provided optional. Product comes with or without a textile transportation bag. The size of the bag is 380 x 470 x 280 mm.
- \* RAL 9006 grey or 9005 black powder coated base and transparent acrylic or RAL 9005 black powder coated metal sheet shelves in standard and various RAL colors available with antimicrobial powder coating.
- \* The product is packed assembled and folded in a single box. No tool assembly, easy to build-up & ready to use. See info chart for pack sizes.



Acrylic shelves - Silver



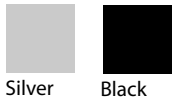
Textile transport bag



Sheet metal shelves - Black



## COLOURS IN STOCK



Silver Black

## SUITABLE FOR

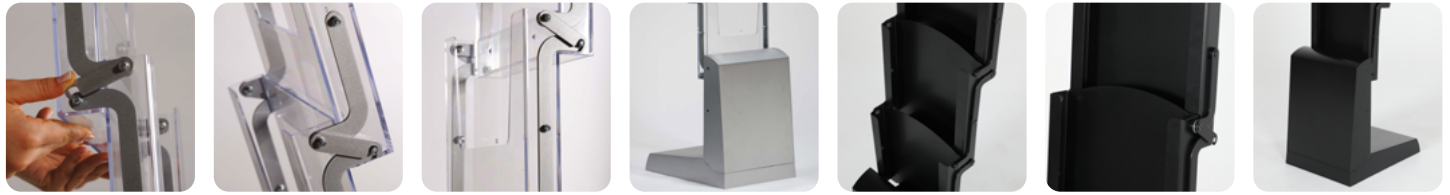
Newage Portable Zick-Zack Sets can be used for INDOOR applications, for displaying brochures in many locations like shopping centers, markets, groceries, hotels, offices airports, shops and stores, hospitals, schools, apartments, restaurants, halls, meeting rooms, gas stations and many more.

## WATCH VIDEO

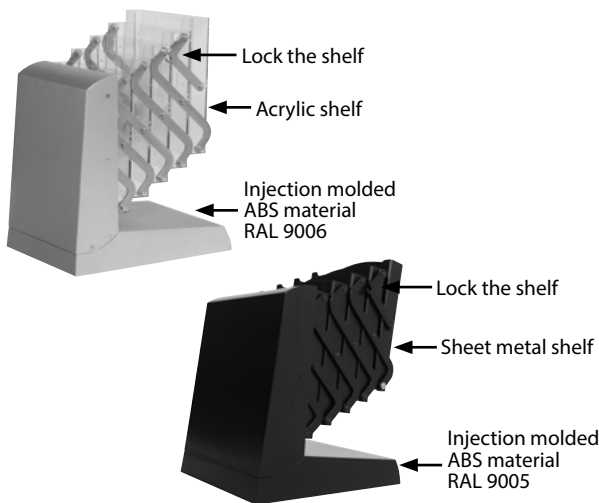


Watch video at our website [www.mtdisplays.com](http://www.mtdisplays.com)

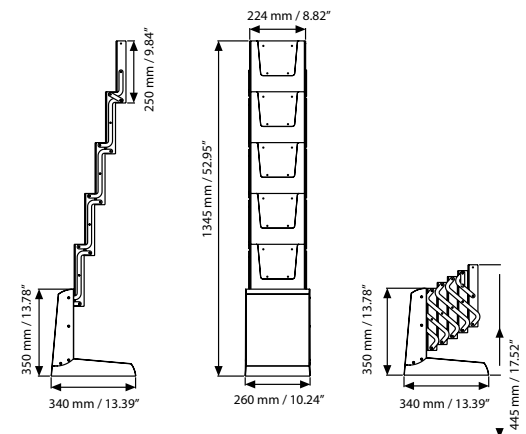
## FEATURES



## EXPLODED VIEW



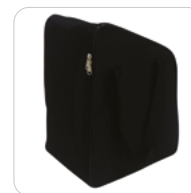
## TECHNICAL DRAWING



## ARTICLES

ARTICLE	CAPACITY	DESCRIPTION	WEIGHT	PACKING SIZE
			WITH PACKING	*W X H X D
UZZEPS0100	5 X A4	Acrylic shelf with bag - Silver	5,500 kg	310 X 520 X 410 mm
UZZEPS0000	5 X A4	Acrylic shelf without bag - Silver	5,000 kg	310 X 520 X 410 mm
UZZEPC100	5 X A4	Sheet metal shelf with bag - Black	5,500 kg	310 X 520 X 410 mm
UYUP072400	5 X A4	Bag	1,500 kg	310 X 520 X 410 mm

## OPTIONAL ACCESSORIES



Black carry bag for Newage Portable Zick-Zack 380 x 470 x 280 mm.  
UYUP072400

## PHYSICAL DATA

### Material

Acrylic or sheet metal shelves, injection molded ABS base.

### Surface Finish

RAL 9006 grey or 9005 black powder coated base and transparent acrylic or RAL 9005 black powder coated metal sheet shelves in standard and various RAL colors available with antimicrobial powder coating. Call for custom color requests.

### Recycled Content

Up to %?? recycled content used.

### Storage Conditions

Goods should be stored at 0° to 25°C in a dry place. Store in the original package.

### Warranty

All products are guaranteed for 3 years by MT Displays with below conditions:  
[Warranty Conditions](#)

### Installation Considerations

Newage Portable Zick-Zack Set is packed assembled and folded in a single box. No tool assembly, easy to build-up & ready to use. See info chart for pack sizes. One set includes 260x340x350(h)mm powder coated injection molded ABS base and transparent acrylic or powder coated sheet metal foldable shelves with 224mm width and locking mechanism. Lock the top shelf in position for stable display. Maximum carriage capacity is 7,5 kg. 445mm height when folded, 1345mm height when set up and locked. Bag is provided optional. Product comes with or without a textile transportation bag. The size of the bag is 380 x 470 x 280 mm.

### Design Considerations

Single-sided, free standing, brochure holders with portable zick-zack design for keeping minimum 5 brochures at the same time. Practical and smart for mobile presentations and events with foldable shelves while the brochures are still stored in. Suitable for INDOOR public spaces with brochure holding capacity of 5xA4 in standard.

### Cleaning and Disinfecting

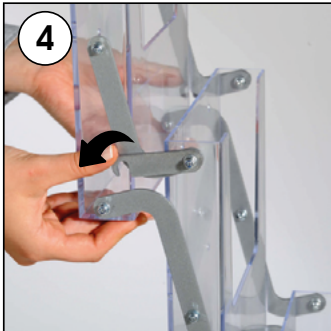
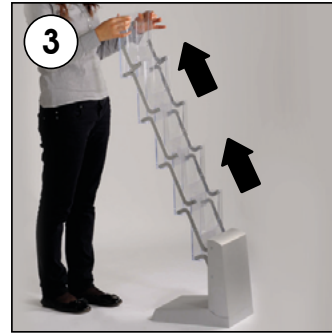
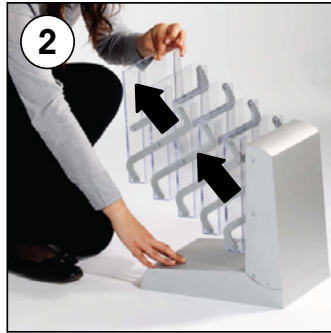
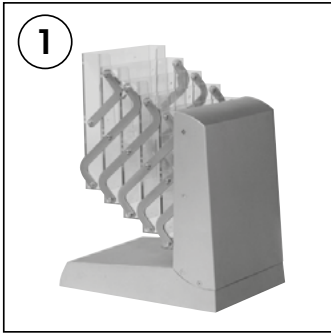
Clean your displays, with damp microfiber clothes, rinsed with simply water or warm, soapy or gentle shampooed water. Avoid using vinegar, abrasive, acidic, alcohol-based or heavy cleaners or cleaners containing Ammonia. Only after cleaning the product, if needed, simply apply disinfectant or sanitizer that is in compliance with your local guidelines and regulations.



T: +90 850 433 67 85 / [info@mtdisplays.com](mailto:info@mtdisplays.com) / [www.mtdisplays.com](http://www.mtdisplays.com)

# INSTALLATION INSTRUCTIONS

Newage Portable Zick-Zack / 1005994



Lock the shelf



- Please inform the order number on the product or on the carton (e.g. 1/110001394-460) to the place that you have made the purchase if any problem with the product occurs.
- All rights reserved. All pictures, figures and writings are secured internationally by copy-right law. Infringements will be sued by civil and legal law.



T: +90 850 433 67 85 / [info@mtdisplays.com](mailto:info@mtdisplays.com) / [www.mtdisplays.com](http://www.mtdisplays.com)