

OMNI A BOARD OMNIFRAME



FREE STANDING OUTDOOR BANNER SYSTEM FOR LARGE FORMAT PRINTS!

Constructed aluminium, Omni A Board is a double sided, heavy outdoor banner system. It is ideal for use with PVC eyelet banners. Omni A Board is used for large advertising areas that the banner needs to be changed regularly or carried to different places. It is a great accompaniment for outdoor events, marquees and race. Omni Frame withstands approximately 42-50kph wind.

KEY SELECTION ATTRIBUTES

- * A very durable aluminium, double-sided, free standing, A-Board Outdoor Banner System for application of large format printed posters.
- * One of the most easy and quick assembled frame designs in the market, as an alternative to traditional billboards.
- * Suitable for large advertising areas where the banner needs to be changed regularly or carried to different places, as a free standing A-Board in outdoor events, marquees, races, garden centres, retail outlets, sports halls, sporting venues, conferences, public areas and many more.
- * Omni A Board has a smart design and all parts are robust, durable and reusable. The banner is easy to change by taking off the elasticated straps/hooks without dismounting the frame. It is delivered parts unassembled to save from transport.
- * Omni A-Board is OUTDOOR FRIENDLY, strong and stable for harsh weather conditions. It is tested for security in outdoor conditions. Omni A-Board withstands approximately 42-50kph wind.
- * Suitable for application of 1000x1500mm, 1000x2500mm and 1250x3000mm poster sizes on both sides.
- * Omni A.Boards can be ordered in standard sizes. They can also be ordered in special lengths and parts as semi products. The variable lengths of aluminium profile gives the ability to install banners in customised sizes.
- * Natural silver-anodized in standard and various RAL colors available with antimicrobial powder coating. Subject to MOQ.
- * One set includes a lightweight silver anodised aluminium profile frame; aluminium injection metallic silver RAL9006 powder coated corner brackets, RAL9006 T-connectors, RAL9006 profile connectors, hinges, plastic buttons, white clamps for banners, black bungee cords with stainless steel hooks and elastic straps. Plastic buttons and elastic hooks included enough for each size. Banner and eyelets are not included. Feet is optional, not included in the standard set, should be ordered separately. Each feet weighs 1,2kg. Black carry bag is optional, should be ordered separately.
- * Fabric is the most recommended material when compared to other alternatives such as PVC, Vinyl & Polyethylene. Thickness for digital printing might vary according to the dimensions of frame and the fabric type used. Fabric is not included in the original pack.
- * Profiles and connector parts for Omni A-Board for the required sizes are packed unassembled in 2 packs with an easy mounting instruction sheet. Fixing tools are included in each frame. See info chart for the pack sizes.
- * Ideal for banners with PVC eyelets. The first eyelet should be placed on the corners 40mm from the edges of poster used for Omni Frame. The other eyelets can be applied spacing 15-30cm from the first eyelet depending on the environment to be used.



Feet optional accessories.



COLOURS IN STOCK



Silver

SUITABLE FOR

Omni A-Board is **OUTDOOR FRIENDLY**, strong and stable for harsh weather conditions. It is tested for security in outdoor conditions. Omni A-Board withstands approximately 42-50kph wind. Suitable for large advertising areas where the banner needs to be changed regularly or carried to different places, as a free standing A-Board in outdoor events, marquees, races, garden centres, retail outlets, sports halls, sporting venues, conferences, public areas and many more.

WATCH VIDEO

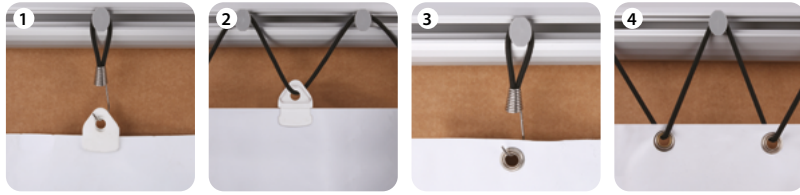


Watch video at our website www.mtdisplays.com

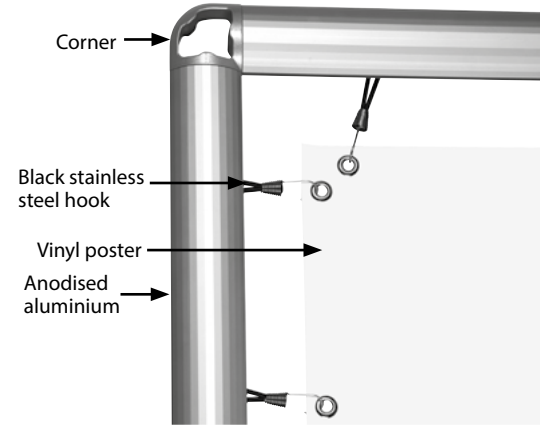
FEATURES



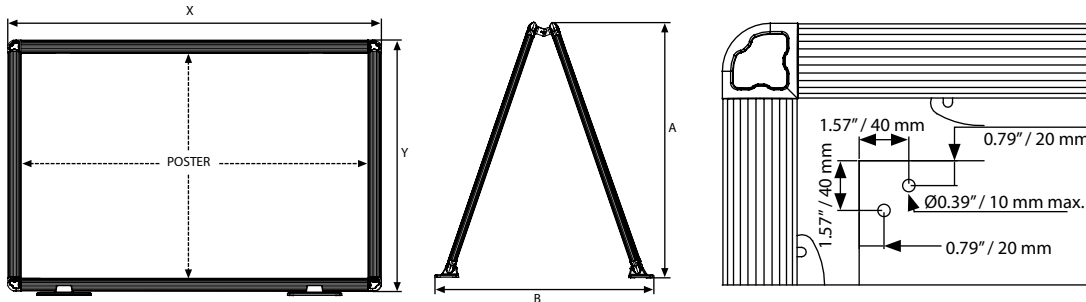
4 different application options



EXPLODED VIEW



TECHNICAL DRAWING



The first eyelet should be placed on the corners 40 mm from the edges of poster used for Omni Frame. Please see below basic drawing. The other eyelets can be applied spacing 15-30 cm from the first eyelet depending on the environment to be used.

ARTICLES

ARTICLE	EXTERNAL (x-y)	POSTER SIZE	A	B	WEIGHT	PACKING SIZE
					WITH PACKING	*W X H X D
UAOMN01510	1221 X 1721 mm	1000 X 1500 mm	1177 mm	986 mm	19,500 kg	265 X 1640 X 90 mm / 340 X 490 X 135 mm
UAOMN02510	1221 X 2721 mm	1000 X 2500 mm	1177 mm	986 mm	24,000 kg	275 X 2650 X 90 mm / 340 X 490 X 135 mm
UAOMN03012	1471 X 3221 mm	1250 X 3000 mm	1413 mm	1150 mm	28,500 kg	275 X 1600 X 145 mm / 340 X 500 X 195 mm
UAOMN04059	48.70" X 67.70"	40" X 59"	65.35"	48.82"	43.210 lbs	10.43" X 64.57" X 3.54" / 13.39" X 19.29" X 5.31"
UAOMN04098	48.70" X 106.70"	40" X 98"	94.49"	64.57"	52.910 lbs	10.83" X 104.33" X 3.54" / 13.39" X 19.29" X 5.31"
UAOMN04918	49.83" X 126.70"	49" X 118"	113.98"	70.87"	62.390 lbs	10.83" X 62.99" X 5.71" / 13.39" X 19.69" X 7.68"

OPTIONAL ACCESSORIES



Black carry bag

ARTICLE	SIZE
UYPOM00010	265 X 2650 X 205 mm
UYPOM00020	265 X 1630 X 205 mm



Omni A Board feet.
1,2 kg Each feet.

ARTICLE	DESCRIPTION
UYPOM09000	Feet for Omni Aboard, 4pcs per pack
UYPOM10000	Hinge for Omni Aboard, 2pcs per pack



T: +90 850 433 67 85 / info@mtdisplays.com / www.mtdisplays.com

COMPONENTS OF OMNI FRAMES



Corner bracket
(Packed by 4 pcs),
Ral 9006
UYPOM02000



T Connector
(Packed by 2 pcs),
Ral 9006
UYPOM03000



Profile connector
(Packed by 2 pcs),
Ral 9006
UYPOM06000



Wall fixing
(Packed by 4 pcs),
including screw set.
UYPOM04000



Plastic buttons
(Packed by 20 pcs)
UYPOM05000



Clamp for banner, White
(Packed by 40 pcs)
TMC4010500



Black bungee cord with
stainless steel hook
(Packed by 40 pcs)
TSH4010501



Elastic strap (50
meters)
UYPOM07000



Aluminium profile,
silver anodised.

PHYSICAL DATA

Material

Lightweight silver anodised aluminium profile frame; aluminium injection metallic silver corner brackets, T-connectors and profile connectors; metal wall fixings, white clamps, black bungee cords with stainless steel hooks and elastic straps.

Storage Conditions

Goods should be stored at 0° to 25°C in a dry place. Store in the original package.

Surface Finish

Natural silver-anodized in standard and various RAL colors available with antimicrobial powder coating. Subject to MOQ. Call for custom color requests.

Recycled Content

Up to 78% recycled content used.

Warranty

All products are guaranteed for 3 years by MT Displays with below conditions:

[Warranty Conditions](#)

Poster Material & Thickness

Fabric is the most recommended material when compared to other alternatives such as PVC, Vinyl & Polyethylene. Thickness for digital printing might vary according to the dimensions of frame and the fabric type used. Fabric is not included in the original pack.

Installation Considerations

Profiles and connector parts for Omni A-Board for the required sizes are packed unassembled in 2 packs with an easy mounting instruction sheet. Fixing tools are included in each frame. See info chart for the pack sizes. One set includes a lightweight silver anodised aluminium profile frame; aluminium injection metallic silver RAL9006 powder coated corner brackets, RAL9006 T-connectors, RAL9006 profile connectors, hinges, plastic buttons, white clamps for banners, black bungee cords with stainless steel hooks and elastic straps. Plastic buttons and elastic hooks included enough for each size. Banner and eyelets are not included. Feet is optional, not included in the standard set, should be ordered separately. Each feet weighs 1,2kg. Black carry bag is optional, should be ordered separately. Ideal for banners with PVC eyelets. The first eyelet should be placed on the corners 40mm from the edges of poster used for Omni Frame. The other eyelets can be applied spacing 15-30cm from the first eyelet depending on the environment to be used.

Design Considerations

A very durable aluminium, double-sided, free standing, A-Board Outdoor Banner System for application of large format printed posters. One of the most easy and quick assembled frame designs in the market, as an alternative to traditional billboards. Omni A Board has a smart design and all

parts are robust, durable and reusable. The banner is easy to change by taking off the elasticated straps/hooks without dismounting the frame. It is delivered parts unassembled to save from transport. Suitable for application of 1000x1500mm, 1000x2500mm and 1250x3000mm poster sizes on both sides. Omni A-Boards can be ordered in standard sizes. They can also be ordered in special lengths and parts as semi products. The variable lengths of aluminium profile gives the ability to install banners in customised sizes.

Cleaning and Disinfecting

Clean your displays, with damp microfiber clothes, rinsed with simply water or warm, soapy or gentle shampooed water. Avoid using vinegar, abrasive, acidic, alcohol-based or heavy cleaners or cleaners containing Ammonia. Only after cleaning the product, if needed, simply apply disinfectant or sanitizer that is in compliance with your local guidelines and regulations.

Certifications/Patents

OHIM DM/084 725

PRINT TEMPLATES

Omni A Board - 1000 x 1500 mm

Document Size: 1010 x 1510 mm (Includes Bleeds)
Finished Size: 1000 x 1500 mm

Omni A Board- 1500 x 2500 mm

Document Size: 1510 x 2510 mm (Includes Bleeds)
Finished Size: 1500 x 2500 mm

Omni Frame - 1250 x 3000 mm

Document Size: 1260 x 3010 mm (Includes Bleeds)
Finished Size: 1250 x 3000 mm

Ocean Maxi - 40"x59"

Document Size: 40.39" x 59.39" (Includes Bleeds)
Finished Size: 40" x 59" (1016x1498 mm)

Ocean Maxi - 40"x98"

Document Size: 40.39" x 98.39" (Includes Bleeds)
Finished Size: 40" x 98" (1016x2489 mm)

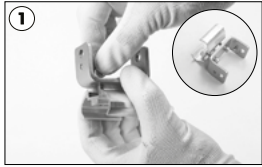
Ocean Maxi - 49"x118"

Document Size: 49.39" x 118.39" (Includes Bleeds)
Finished Size: 49" x 118" (1244x2997 mm)



INSTALLATION INSTRUCTIONS

Omni A Board / 1008983



- Fasten hinge part to fixing tool by bolt.
- Montieren Sie das Scharnierelement mit den beigelegten Schrauben an die Halterung.
- Menteşe parçasını civatalar yardımı ile sabitleme parçasına bağlayınız.



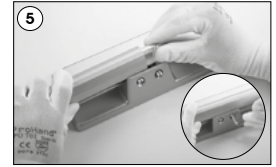
- Insert the hinge part to profile.
- Führen Sie das Scharnierelement in das Profil ein.
- Menteşe parçasını gövde profiline geçiriniz.



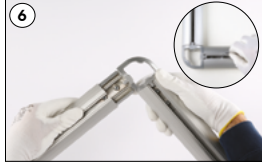
- Adjust the hinge parts and screw the bolt.
- Bringen Sie das Scharnierelement in die gewünschte Position und fixieren Sie diese.
- Menteşe parçalarını hizalayıp civatalarını sıkınız.



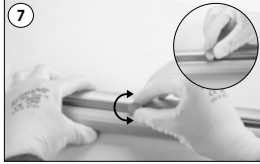
- Fasten the leg part to the fixing tool by the bolt.
- Montieren Sie den Fuß an die Halterung.
- Ayak parçasını sabitleme parçasına civatalar yardımı ile bağlayınız.



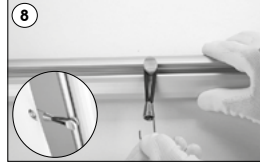
- Insert the leg part to the fixing tool by the bolt.
- Führen Sie den Fuß in das Profil ein.
- Ayak parçasını gövde profiline geçirip civatalarını sıkarak sabitleyiniz.



- Insert the profile to round connection kits.
- Schieben Sie die Profile über die Eckverbinder.
- Köşe bağlantı aparatının uçlarına profilleri geçiriniz.



- Insert plastics connection part to channel on the profile and rotate by 90 degrees.
- Stecken Sie die Kunststoffhalter in das Profil und drehen Sie diese um 90°.
- Profilde bulunan kanala plastik bağlama aparatı geçirek ve 90° döndürünüz.



- In order to place poster, fix stainless hook in to the plastics connection part and put in the hook on the poster's hole.
- Um das Poster zu montieren, verwenden Sie die rostfreien Expanderhaken indem Sie diese über die Kunststoffhalter ziehen und den Haken in die vorhandene Posteröse einlegen.
- Posterı bağlamak için elastik paslanmaz kancayı plastik parçaya tutturarak kancayı posterin üzerinde bulunan deliğe takınız.



- Adjust the hinge parts.
- Bringen Sie die Scharnierelemente in die gewünschte Position.
- Menteşe parçalarını hizalayınız.



- Insert the adjusted hinge parts into shaft.
- Führen Sie den Stift durch die beiden Scharnierelemente durch.
- Hizaladığınız menteşe parçalarına millî geçiriniz.



- Fix the hinge parts with wrench.
- Fixieren Sie den Stift mit dem beigelegten Schlüssel.
- Anahtar yardımıyla menteşe parçalarını sabitleyiniz.



- Please inform the order number on the product or on the carton (e.g. 1/110001394-460) to the place that you have made the purchase if any problem with the product occurs.
- Lütfen üründeki herhangi bir sorunu için ürünün veya paketin üzerindeki sipariş numarasını (örnek: 1/110001394-460) satın aldığınız yere bildirin.
- All rights reserved. All pictures, figures and writings are secured internationally by copy-right law. Infringements will be sued by civil and legal law.
- Tüm hakları saklıdır. Tüm resimlerin, semaların ve yazıların kopya hakları uluslararası kanunlarla güvence altına alınmıştır. İhlali durumunda sivil ve hukuki yasa mercii tarafından dava edilecektir.

This technical sheet's contents are all subject to update and modification at MT Displays' exclusive discretion. There is nothing official about this document. For final and legally binding information, please get in touch with the sales staff at MT Displays.



T: +90 850 433 67 85 / info@mtdisplays.com / www.mtdisplays.com