

OMNI FRAME OMNIFRAME



OUTDOOR BANNER SYSTEM FOR LARGE FORMAT PRINTS!

Fabric is the best recommended option for outdoor advertising. It shines with its light weight and durability among other alternatives such as PVC, Vinyl & Polyethylene. The advantages also include ease of application and compatibility with its stand. The plastic buttons are easily inserted into the channel on Omni Frame profiles. For renewal of the banner, the frame does not have to be unmounted. Poster can only be replaced by taking of the elastic hook.

KEY SELECTION ATTRIBUTES

- * A very durable and lightweight aluminium, single-sided, wall hanging, Outdoor Banner System for application of large format printed posters.
- * One of the most easy and quick assembled frame designs in the market, as an alternative to traditional billboards.
- * Suitable for large advertising areas that need to be changed regularly, utilizing flat, large banners on buildings as well as on stands, events, theatres, garden centres, retail outlets, sports halls, sporting venues, conferences, airports and public areas.
- * Omni Frame has a smart design and all parts are robust, durable and reusable. The banner is easy to change by taking off the elasticated straps/hooks without dismounting the frame. Customised sizes are available upon request. It is delivered parts unassembled to save from transport.
- * Omni Frame is OUTDOOR FRIENDLY. It is tested for security in outdoor conditions. Without any back rest, Omni Frame is tested against windy conditions max 22,5miles or 36km. Vinyl banner deforms and may not take previous form again based on the type and quality of material. In case of 2-fold eyelet application, the banner keeps the form upto wind speed of 22miles. Test had been conducted with 5m x 10m Omni Frame with 1mm vinyl banner. Result: Omni Frame is strong and stable for harsh weather conditions.
- * Suitable for application of 1000x1000mm, 1000x1500mm, 1500x1500mm and 1500x2000mm poster sizes in portrait and landscape position.
- * Omni Frames can be ordered in standard sizes. They can also be ordered in special lengths and parts as semi products. The variable lengths of aluminium profile gives the ability to install banners in customised sizes.
- * Natural silver-anodized in standard and various RAL colors available with antimicrobial powder coating. Subject to MOQ.
- * One set includes a lightweight silver anodised aluminium profile frame; aluminium injection metallic silver RAL9006 powder coated corner brackets, RAL9006 T-connectors, RAL9006 profile connectors, wall fixings with screw set, plastic buttons, white clamps for banners, black bungee cords with stainless steel hooks and elastic straps.
- * All of the wall connection parts, that are sent with the product must be used during assembly.
- * Fabric is the most recommended material when compared to other alternatives such as PVC, Vinyl & Polyethylene. Thickness for digital printing might vary according to the dimensions of frame and the fabric type used. Fabric is not included in the original pack.
- * Profiles and connector parts for the required sizes are packed unassembled in a single box with an easy mounting instruction sheet. Fixing tools are included in each frame.
- * Wall fixing screws of Omni Frame are included in the pack which are CE certified multi-expansion long plugs. Special anti-corrosion coated screw is made of zinc coated steel and plastic sleeve made of high quality of nylon. It is confirmed for outdoor fixing on various exterior building surfaces such as concrete, solid or honeycomb brick, hollow dense or hollow light aggregate block, aerated concrete and solid stone.
- * Ideal for banners with PVC eyelets. The first eyelet should be placed on the corners 40mm from the edges of poster used for Omni Frame. The other eyelets can be applied spacing 15-30cm from the first eyelet depending on the environment to be used.



COLOURS IN STOCK



Silver

SUITABLE FOR

Omni Frame is OUTDOOR FRIENDLY. It is tested for security in outdoor conditions. Without any back rest, Omni Frame is tested against windy conditions max 22,5 miles or 36km. Vinyl banner deforms and may not take previous form again based on the type and quality of material. In case of 2-fold eyelet application, the banner keeps the form upto wind speed of 22miles. Test had been conducted with 5m x 10m Omni Frame with 1mm vinyl banner. Result: Omni Frame is strong and stable for harsh weather conditions. Suitable for large advertising areas that need to be changed regularly, utilizing flat, large banners on buildings as well as on stands, events, theatres, garden centres, retail outlets, sports halls, sporting venues, conferences, airports and public areas.

WATCH VIDEO



Watch video at our website www.mtdisplays.com

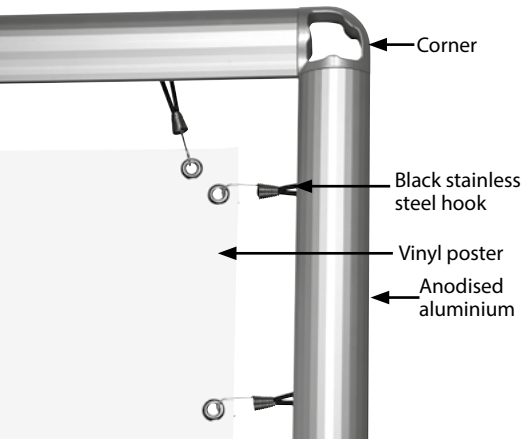
FEATURES

4 different application options

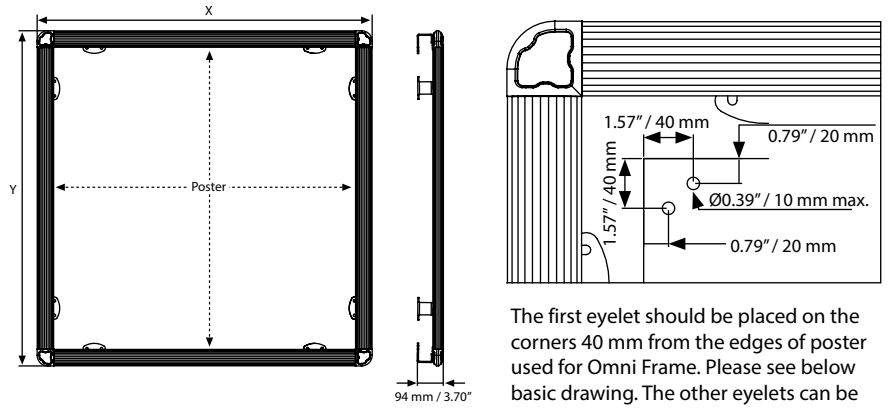


Wall fixing screws of Omni Frame are included in the pack which are CE certified multi-expansion long plugs. Special anti-corrosion coated screw is made of zinc coated steel and plastic sleeve made of high quality of nylon. It is confirmed for outdoor fixing on various exterior building surfaces such as concrete, solid or honeycomb brick, hollow dense or hollow light aggregate block, aerated concrete and solid stone.

EXPLODED VIEW



TECHNICAL DRAWING



The first eyelet should be placed on the corners 40 mm from the edges of poster used for Omni Frame. Please see below basic drawing. The other eyelets can be applied spacing 15-30 cm from the first eyelet depending on the environment to be used.

ARTICLES

OMNI FRAME			WEIGHT	PACKING SIZE
ARTICLE	EXTERNAL (x-y)	POSTER SIZE	WITH PACKING	*W X H X D
UOMN001010	1221 X 1221 mm	1000 X 1000 mm	7,395 kg	215 X 1750 X 105 mm
UOMN001015	1221 X 1721 mm	1000 X 1500 mm	8,965 kg	215 X 2100 X 105 mm
UOMN001515	1721 X 1721 mm	1500 X 1500 mm	10,175 kg	215 X 2300 X 105 mm
UOMN001520	1721 X 2221 mm	1500 X 2000 mm	11,610 kg	215 X 2600 X 105 mm
UOMN001296	128.70" X 104.69"	120" X 96"	44,312 lbs	11.81" X 102.36" X 2.76"
UOMN001284	128.70" X 92.70"	120" X 84"	42,549 lbs	11.81" X 90.55" X 2.76"
UOMN009684	104.69" X 92.70"	96" X 84"	37,699 lbs	7.87" X 102.36" X 2.76"
UOMN001212	128.70" X 128.70"	120" X 120"	49,383 lbs	7.87" X 63.78" X 5.51"

OMNI FRAME PROFILE		WEIGHT	PACKING SIZE
ARTICLE	LENGHT	WITH PACKING	*W X H X D
YYPOMO1011	1100 mm	1,300 kg	55 X 1150 X 75 mm
YYPOMO1016	1600 mm	1,800 kg	55 X 1650 X 75 mm
YYPOMO1021	2100 mm	2,300 kg	55 X 2150 X 75 mm
YYPOMO1026	2600 mm	2,800 kg	55 X 2630 X 75 mm
YYPOMO1031	3100 mm	3,300 kg	85 X 1730 X 115 mm
YYPOMO1036	3600 mm	4,000 kg	85 X 1970 X 115 mm
YYPOMO1041	4100 mm	4,350 kg	85 X 2220 X 115 mm
YYPOMO1046	4600 mm	5,000 kg	85 X 2470 X 115 mm
YYPOMO1051	5100 mm	4,000 kg	85 X 2720 X 115 mm
YYPOMO0042	42"	2,821 lbs	9.84" X 11.81" X 2.95"
YYPOMO0062	62"	3,791 lbs	9.84" X 11.81" X 3.54"
YYPOMO0082	82"	4,872 lbs	9.84" X 11.81" X 3.54"
YYPOMO0122	122"	7,253 lbs	9.84" X 11.81" X 3.94"
YYPOMO0140	140"	8,708 lbs	9.84" X 11.81" X 3.94"
YYPOMO0182	182"	11,530 lbs	9.84" X 11.81" X 4.72"
YYPOMO0200	200"	12,456 lbs	9.84" X 11.81" X 5.51"

OMNI FRAME SEMI PRODUCTS		WEIGHT	PACKING SIZE
ARTICLE	DESCRIPTION	WITH PACKING	*W X H X D
YYPOMO02000	Corner Bracket (Packed by 4 pcs), Ral 9006	1,800 kg / 3.968 lbs	95 X 240 X 165 mm / 3.74" X 9.45" X 6.50"
YYPOMO3000	T Connector (Packed by 2 pcs), Ral 9006	0,900 kg / 1.984 lbs	95 X 240 X 165 mm / 3.74" X 9.45" X 6.50"
YYPOMO4000	Wall Fixing (Packed by 4 pcs), including screw set	2,000 kg / 4.409 lbs	95 X 150 X 100 mm / 3.74" X 5.91" X 3.94"
YYPOMO5000	Plastic Buttons (Packed by 20 pcs)	0,020 kg / 0.044 lbs	
YYPOMO6000	Profile Connector (Packed by 2 pcs), Ral 9006	0,400 kg / 0.881 lbs	85 X 270 X 90 mm / 3.35" X 10.63" X 3.54"
TMC4010500	Clamp For Banner, White (Packed by 40 pcs)	0,520 kg / 1.146 lbs	
TSH4010501	Black Bungee Cord with Stainless Steel Hook (Packed by 40 pcs)	0,420 kg / 0.925 lbs	
YYPOMO7000	Elastic Strap (50 meters)	0,100 kg / 0.220 lbs	



T: +90 850 433 67 85 / info@mtdisplays.com / www.mtdisplays.com

COMPONENTS OF OMNI FRAMES



Corner bracket
(Packed by 4 pcs),
Ral 9006
UYPOM02000



T Connector
(Packed by 2 pcs),
Ral 9006
UYPOM03000



Profile connector
(Packed by 2 pcs),
Ral 9006
UYPOM06000



Wall fixing
(Packed by 4 pcs),
including screw set.
UYPOM04000



Plastic buttons
(Packed by 20 pcs)
UYPOM05000



Clamp for banner, White
(Packed by 40 pcs)
TMC4010500



Black bungee cord with
stainless steel hook
(Packed by 40 pcs)
TSH4010501



Elastic strap (50
meters)
UYPOM07000



Aluminium profile,
silver anodised.

PRESENTATION BOX / UYPOM00010



PHYSICAL DATA

Material

Lightweight silver anodised aluminium profile frame; aluminium injection metallic silver corner brackets, T-connectors and profile connectors; metal wall fixings, white clamps, black bungee cords with stainless steel hooks and elastic straps.

Surface Finish

Natural silver-anodized in standard and various RAL colors available with antimicrobial powder coating. Subject to MOQ. Call for custom color requests.

Storage Conditions

Goods should be stored at 0° to 25°C in a dry place. Store in the original package.

Recycled Content

Up to 78% recycled content used.

Warranty

All products are guaranteed for 3 years by MT Displays with below conditions:

[Warranty Conditions](#)

Installation Considerations

Profiles and connector parts of Omni Frames for the required sizes are packed unassembled in a single box with an easy mounting instruction sheet. Fixing tools are included in each frame. One set includes a lightweight silver anodised aluminium profile frame; aluminium injection metallic silver RAL9006 powder coated corner brackets, RAL9006 T-connectors, RAL9006 profile connectors, wall fixings with screw set, plastic buttons, white

clamps for banners, black bungee cords with stainless steel hooks, elastic straps. All of the wall connection parts, that are sent with the product must be used during assembly. Wall fixing screws of Omni Frame are included in the pack which are CE certified multi-expansion long plugs. Special anti-corrosion coated screw is made of zinc coated steel and plastic sleeve made of high quality of nylon. It is confirmed for outdoor fixing on various exterior building surfaces such as concrete, solid or honeycomb brick, hollow dense or hollow light aggregate block, aerated concrete and solid stone. Omni Frame is ideal for banners with PVC eyelets. The first eyelet should be placed on the corners 40mm from the edges of poster used for Omni Frame. The other eyelets can be applied spacing 15-30cm from the first eyelet depending on the environment to be used. Omni Frames can be ordered in standard sizes. They can also be ordered in special lengths and parts as semi products. The variable lengths of aluminium profile gives the

Poster Material & Thickness

Fabric is the most recommended material when compared to other alternatives such as PVC, Vinyl & Polyethylene. Thickness for digital printing might vary according to the dimensions of frame and the fabric type used. Fabric is not included in the original pack. ability to install banners in customised sizes.

Design Considerations

A very durable and lightweight aluminium, single-sided, wall hanging, Outdoor Banner System for application of large format printed posters. One of the most easy and quick assembled frame designs in the market, as an alternative to traditional billboards. Omni Frame has a smart design and all parts are robust, durable and reusable. The banner is easy to change by taking off the elasticated straps/hooks without dismantling the frame. Customised sizes are available upon request. It is delivered parts unassembled to save from transport. Suitable for application of 1000x1000mm, 1000x1500mm, 1500x1500mm and 1500x2000mm poster sizes in portrait and landscape position.

Cleaning and Disinfecting

Clean your displays, with damp microfiber clothes, rinsed with simply water or warm, soapy or gentle shampooed water. Avoid using vinegar, abrasive, acidic, alcohol-based or heavy cleaners or cleaners containing Ammonia. Only after cleaning the product, if needed, simply apply disinfectant or sanitizer that is in compliance with your local guidelines and regulations.

Certifications/Patents

OHIM DM/084 725



PRINT TEMPLATES

Omni Frame - 1000 x 1000 mm

Document Size: 1010 x 1010 mm (Includes Bleeds)
Finished Size: 1000 x 1000 mm

Omni Frame - 1000 x 1500 mm

Document Size: 1010 x 1510 mm (Includes Bleeds)
Finished Size: 1000 x 1500 mm

Omni Frame- 1500 x 1500 mm

Document Size: 1510 x 1510 mm (Includes Bleeds)
Finished Size: 1500 x 1500 mm

Omni Frame - 1500 x 2000 mm

Document Size: 1510 x 2010 mm (Includes Bleeds)
Finished Size: 1500 x 2000 mm

Ocean Maxi - 96"x84"

Document Size: 96.39" x 84.39" (Includes Bleeds)
Finished Size: 96" x 84" (2438x2133 mm)

Ocean Maxi - 120"x84"

Document Size: 120.39" x 84.39" (Includes Bleeds)
Finished Size: 120" x 84" (3048x2133 mm)

Ocean Maxi - 120"x90"

Document Size: 120.39" x 90.39" (Includes Bleeds)
Finished Size: 120" x 90" (3048x2286 mm)

Ocean Maxi - 120"x96"

Document Size: 120.39" x 96.39" (Includes Bleeds)
Finished Size: 120" x 96" (3048x2438 mm)

Ocean Maxi - 120"x120"

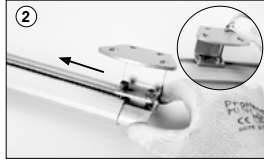
Document Size: 120.39" x 120.39" (Includes Bleeds)
Finished Size: 120" x 120" (3048x3048 mm)

INSTALLATION INSTRUCTIONS

Omni Frame / 1008965



•Connect the wall fixing part to profile using bolts.
•Montieren Sie die Wandhalterung mittels der beigelegten Schrauben an dem Profil.
•Duvar bağlantı aparatını civatalar yardımıyla profile bağlayın.



•Slide the connected parts into the channel of body profile.
•Das montierte Profil bitte in das Hauptprofil einlegen.
•Bağlanan parçalardaki profili gövde profil içerisine yerleştirin.



•Slide the corner bracket into the channel of profiles.
•Die Profile werden in die Eckverbinder eingeschoben.
•Köşe bağlantı aparatının uçlarına profiller geçirilir.



•Fix corner bracket and profiles together using stay bolts.
•Mit den Gestellschrauben werden die Eckverbinder fixiert.
•Setuskur civata ile köşe bağlantı aparatı ve profiller bağlanır.



•Slide the T connector into the channel of profiles. Connect them together using stay bolts.
•Die T Verbindung muss auch in die Hauptprofile eingeschoben werden und wird anschließend mit den Gestellschrauben fixiert
•T bağlantı aparatı uçlarına profiller geçirilir. Setuskur civata ile T bağlantı aparatı ve profiller bağlanır.



•Slide the Profile Connector part into the channel of profiles and connect them together using stay bolts.
•Das Verlängerungsprofil wird in das Hauptprofil eingeschoben und mittels den Gestellschrauben fixiert.
•Uzatma bağlantı aparatı uçlarına profiller geçirilir. Setuskur civata ile uzatma bağlantı aparatı ve profiller bağlanır.



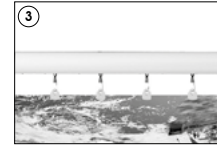
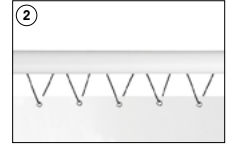
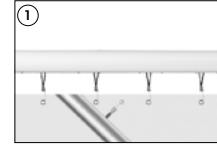
•Slide the Plastic buttons into the channel of profile and turn them 90°
•Die Plastikaufhänger werden in den Schlitz auf der Rückseite des Hauptprofils reingedrückt und 90° gedreht
•Profilde bulunan kanala plastik bağlama aparatı geçirilir ve 90° döndürülür.



•Wall fixing part is fixed on Wall using screws and plugs.
•Die Wandhalterung mittels der beigelegten Schrauben und Dübel an die Wand montieren.
•Duvar bağlantı aparatını dübel vida yardımıyla duvara bağlayın.

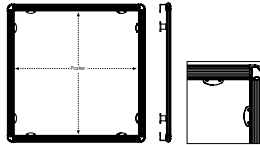
•Please inform the order number on the product or on the carton (e.g. 1/110001394-460) to the place that you have made the purchase if any problem with the product occurs.
•All rights reserved. All pictures, figures and writings are secured internationally by copy-right law. Infringements will be sued by civil and legal law.

Mounting Types / Anvendungsbeispiele Bağlantı Şekilleri



•WARNING •WARNING •DİKKAT

•All the wall connection parts, that are sent with the product must be used during assembly



Rev: 08-2015

This technical sheet's contents are all subject to update and modification at MT Displays' exclusive discretion. There is nothing official about this document. For final and legally binding information, please get in touch with the sales staff at MT Displays.



T: +90 850 433 67 85 / info@mtdisplays.com / www.mtdisplays.com