

PETITE DESKTOP EASEL



PRACTICAL FOR PRESENTING YOUR MENUS, PROMOTIONS AND MORE

Petite Desktop Easel is made of beech wood. Lacquered finish is applied for long term use. Its modern and traditional combination wooden look creates a friendly atmosphere to your business, menu or announcements. Adjustable back support helps to achieve perfect placement. Its foldable flat design is space saving. Optional chalk panel max. size is A4.

KEY SELECTION ATTRIBUTES

- * Practical and foldable Beech Wood Easel, suitable for desktop usage.
- * Perfect way to present/change the menus, messages, announcements or promotions.
- * One set includes beech wood triple feet easel with lacquered finish for durability and foldable/adjustable back support for achieving perfect placement and stability.
- * Suitable for use with dry-wipe chalkboard for changing notes easily. Maximum size of the optional chalkboard is A4. Please do not forget to order separately.
- * Optional accessories like chalkboard markers are not included. Please order separately.
- * Easy to fold flat for easy storage.
- * Packed unassembled in a sturdy box. Assembly in 10 seconds.



COLOURS IN STOCK



Natural Wood

SUITABLE FOR

Petite Desktop Easel can be used for INDOOR applications, for signage needs in many locations like shopping centers, markets, groceries, hotels, offices airports, shops and stores, hospitals, schools, apartments and many more.

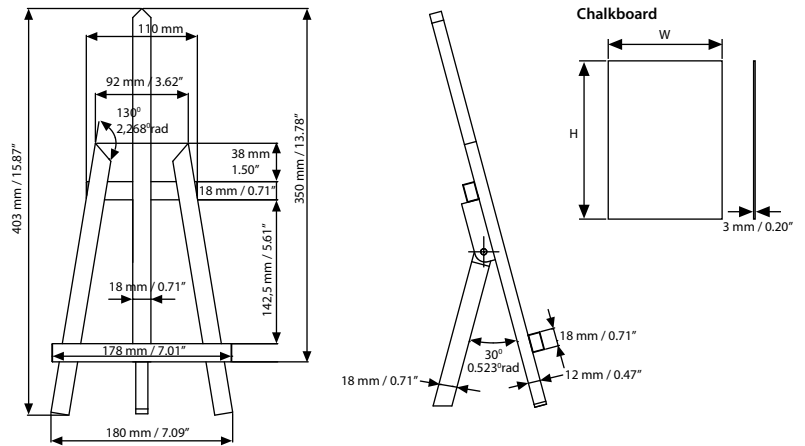
FEATURES



EXPLODED VIEW



TECHNICAL DRAWING



ARTICLES

ARTICLE	SIZE (x-y)	DESCRIPTION	WEIGHT	PACKING SIZE
			WITH PACKING	*W X H X D
UWDEPN0010	410 X 180 mm	Natural Wood - Black Chalkboard	0,310 kg	210 X 430 X 55 mm

OPTIONAL ACCESSORIES



Colour chalkboard marker. 10 mm wide. 5 Pcs. / UYAKLM1251



White chalkboard marker for Wood Display. 10 mm wide. 3 Pcs / UYAKLM1250



Chalkboard. 3 mm.

CHALKBOARD			
ARTICLE	SIZE	W	H
UPCUWD00A4	210 X 297 mm	216 mm	300 mm
UPCUWD00A5	148 X 210 mm	148 mm	213 mm
UPCUWD00A6	105 X 148 mm	105 mm	148 mm
UPCUWD0081	216 X 280 mm	216 mm	283 mm
UPCUWD0058	140 X 216 mm	148 mm	219 mm

PHYSICAL DATA

Material
Beech Wood triple feet easel.

Surface Finish
Beech Wood triple feet with lacquered finish.

Warranty
All products are guaranteed for 1 years by MT Displays with below conditions:
[Warranty Conditions](#)

Storage Conditions
Goods should be stored at 0° to 25°C in a dry place. Store in the original package.

Installation Considerations
Packed unassembled in a sturdy box. Assembly in 10 seconds. One set includes beech wood triple

feet easel with lacquered finish for durability and foldable/adjustable back support for achieving perfect placement and stability. Suitable for use with dry-wipe chalkboard for changing notes easily. Maximum size of the optional chalkboard is A4. Please do not forget to order separately. Optional accessories like chalkboard markers are not included. Please order separately. Easy to fold flat for easy storage.

Design Considerations
Practical and foldable Beech Wood Easel, suitable for desktop usage. Perfect way to present/ change the menus, messages, announcements or promotions.

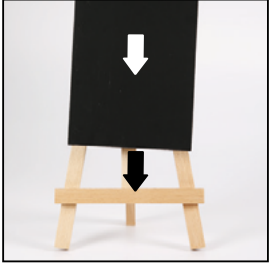
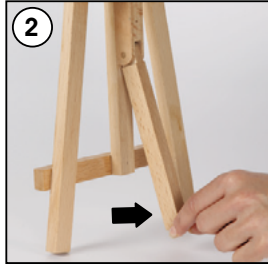
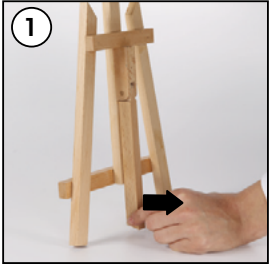
Cleaning and Disinfecting
Clean your displays, with damp microfiber clothes, rinsed with simply water or warm, soapy or gentle shampooed water. Avoid using vinegar, abrasive, acidic, alcohol-based or heavy cleaners or cleaners containing Ammonia. Only after cleaning the product, if needed, simply apply disinfectant or sanitizer that is in compliance with your local guidelines and regulations.



T: +90 850 433 67 85 / info@mtdisplays.com / www.mtdisplays.com

INSTALLATION INSTRUCTIONS

Petite Desktop Easel / 1011397H000



CAUTION : Panel is not included in the pack.
Usable panel size max. A4.



- Please inform the order number on the product or on the carton (e.g. 1/110001394-460) to the place that you have made the purchase if any problem with the product occurs.
- All rights reserved. All pictures, figures and writings are secured internationally by copy-right law. Infringements will be sued by civil and legal law.

This technical sheet's contents are all subject to update and modification at MT Displays' exclusive discretion. There is nothing official about this document. For final and legally binding information, please get in touch with the sales staff at MT Displays.



T: +90 850 433 67 85 / info@mtdisplays.com / www.mtdisplays.com