

PETS REFRESHING CORNER WITH HEADER



FEEDING SMALL PETS WITH A FRIENDLY SOLUTION

Pets Refreshing Corner With Header is ideal for small-sized PET's. Header panel is made of aluminium and suitable for printing. RAL colour options are available. Black rubber wick at the bottom prevents sliding. 2 water bowls are included. It is made of safe material and the dimension of the product is designed for easy access to food. Suitable for feeding dogs, cats and other small pets. PETS Refreshing Corner offers you a perfect solution for pet-friendly facility like restaurants, hotels and shopping centres. It creates a friendly atmosphere to your advertisement for your retail business. You can make your advertisement while our friends are feeding themselves.

KEY SELECTION ATTRIBUTES

- * PETS Refreshing Corner with header for feeding dogs, cats and other small-sized animals.
- * Creating a pet friendly atmosphere in front of commercial places like restaurants, hotels and shopping centres, while making advertisement of their retail business.
- * Ergonomic design of the base with safe materials and proper dimensions so that pet friends can effortlessly access to food and water.
- * Suitable for use in OUTDOOR conditions with 640x690mm header area.
- * One set includes a sheet metal base with 640x409x110mm dimensions, 2

- stainless steel water bowls with 2kg/lit capacity, an aluminium composite panel header suitable for lamination and printing with 640x800x4mm dimensions, black rubber wick at the bottom for preventing sliding and protecting the ground from scratching, 4 bolts and 1 allen key for installation.
- * Natural silver-anodised in standard and various RAL colors available with antimicrobial powder coating.
- * Packed unassembled in 2 boxes with an easy to understand instruction sheet. Easy to assemble and simple to carry. Assembly in 75 seconds.



COLOURS IN STOCK



Silver

COLOUR OPTIONS

Black Anodised

White - RAL 9003

Red - RAL 3020

Green - RAL 6029

Silver Anodised

Black - RAL 9005

Blue - RAL 5002

Yellow - RAL 1021

SUITABLE FOR

Pet Refreshing Corners can be used for INDOOR applications, for OUTDOOR in many locations like shopping centers, markets, groceries, hotels, offices airports, shops and stores, hospitals, schools, apartments and many more.

WATCH VIDEO



Watch video at our website www.mtdisplays.com

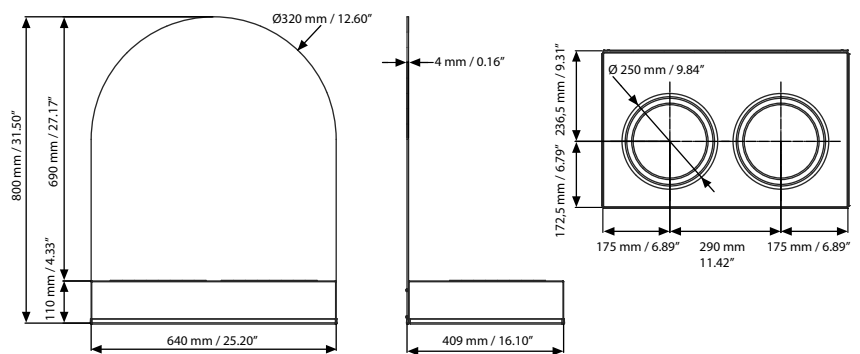
FEATURES



EXPLODED VIEW



TECHNICAL DRAWING



ARTICLES

ARTICLE	DESCRIPTION	WEIGHT	PACKING SIZE
		WITH PACKING	*W X H X D
UOPRN20010	Silver	10,400 kg	450 X 670 X 125 / 675 X 830 X 35 mm

PHYSICAL DATA

Material

Aluminium composite panel header, sheet metal base, stainless steel water bowls

Surface Finish

Natural silver-anodised in standard and various RAL colors available with antimicrobial powder coating. Call for custom color requests.

Recycled Content

Up to 78% recycled content used.

Warranty

All products are guaranteed for 3 years by MT Displays with below conditions:

[Warranty Conditions](#)

Storage Conditions

Goods should be stored at 0° to 25°C in a dry place. Store in the original package.

Installation Considerations

Packed unassembled in 2 boxes with an easy to understand instruction sheet. Easy to assemble and simple to carry. Assembly in 75 seconds. One set includes a sheet metal base with 640x409x110mm dimensions, 2 stainless steel water bowls with 2kg/l capacity, an aluminium composite panel header suitable for lamination and printing with 640x800x4mm dimensions, black rubber wick at the bottom for preventing sliding and protecting the ground from scratching, 4 bolts and 1 allen key for installation.

Design Considerations

PETS Refreshing Corner with header for feeding dogs, cats and other small-sized animals. Creating a pet friendly atmosphere in front of commercial places like restaurants, hotels and shopping centres, while making advertisement of their retail business. Ergonomic design of the base with safe materials and proper dimensions so that pet friends can effortlessly access to food and water. Suitable for use in OUTDOOR conditions with 640x690mm header area.

Cleaning and Disinfecting

Clean your displays, with damp microfiber clothes, rinsed with simply water or warm, soapy or gentle shampooed water. Avoid using vinegar, abrasive, acidic, alcohol-based or heavy cleaners or cleaners containing Ammonia. Only after cleaning the product, if needed, simply apply disinfectant or sanitizer that is in compliance with your local guidelines and regulations.



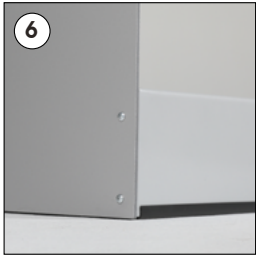
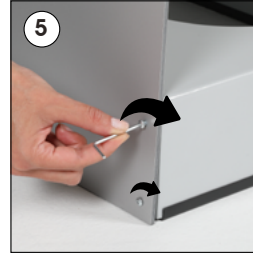
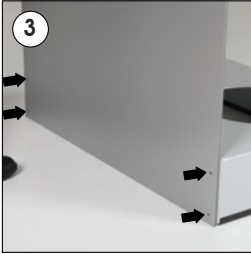
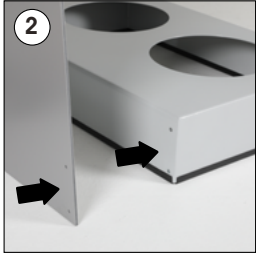
T: +90 850 433 67 85 / info@mtdisplays.com / www.mtdisplays.com

INSTALLATION INSTRUCTIONS

Pet Refreshing Corner with Header / 1012749H000

Each product includes

- 1 x Base
(619x854x1,5 mm)
- 1 x Header Panel
(640x800x4 mm)
- 2 x Water Bowl
- 4 x Bolt M4x12
- 1 x 4 allen key



- Please inform the order number on the product or on the carton (e.g. 1/110001394-460) to the place that you have made the purchase if any problem with the product occurs.
- All rights reserved. All pictures, figures and writings are secured internationally by copy-right law. Infringements will be sued by civil and legal law.



This technical sheet's contents are all subject to update and modification at MT Displays' exclusive discretion. There is nothing official about this document. For final and legally binding information, please get in touch with the sales staff at MT Displays.



T: +90 850 433 67 85 / info@mtdisplays.com / www.mtdisplays.com