

## POSTER SHOWBOARD



### OUTDOOR FRIENDLY BOARDS FOR DISPLAYING INDIVIDUAL POSTERS

Ideal for displaying individual posters and single sheet menus. Suitable for outdoor use. Single key A2, A3, double key A1, A0, 500x700 mm, 700x1000 mm sizes are available. The cover can be opened up to 90 degrees. Each unit includes mounting screws and plugs. The profile width is 45 mm and the depth of the case is 30 mm.

### KEY SELECTION ATTRIBUTES

- \* OUTDOOR FRIENDLY, wall-mounting and lockable showboards for displaying individual posters in different sizes.
- \* Suitable for wall mounting with single key A2, A3, double key A0, A1, B1, B2, 20"x30", 30"x40", 500x700mm and 700x1000mm poster sizes. Max. available size is 1200x1800mm.
- \* Perfect way to offer multiple services, present/change messages, announcements and promotions in outdoor places under a shelter or public buildings like offices, hospitals, schools and more.
- \* One set includes 45mm natural silver anodised aluminium frame with 30mm

- depth and hidden locking; propopylen backing; clear plastic pegs to hold and change the posters easily; PET-G protective cover; 2 stays at each end to keep the cover door open; 2 keys; 4 screws and 4 anchors for installing on wall.
- \* Available for weatherproof use by inside water leakage isolation.
- \* Each product includes 1 key set of single variation.
- \* Lockable cover can be opened to 90 degrees.
- \* Each unit is packed with mounting set and easy-to-understand installation sheet.
- \* Please discard the protective film on the unit before use.



## COLOURS IN STOCK



Silver

## SUITABLE FOR

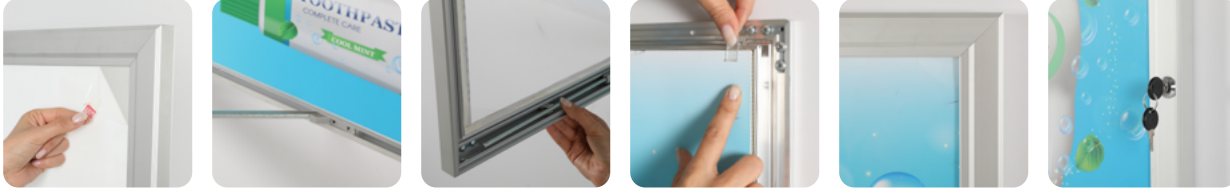
Poster Showboards are OUTDOOR FRIENDLY, they can be used for signage needs in outdoor places under a shelter or public buildings like shopping centers, markets, groceries, hotels, offices airports, shops and stores, hospitals, schools, apartments, banks, car dealers, restaurants, telecom companies, insurance companies, libraries, museums, travel agencies and many more.

## WATCH VIDEO



Watch video at our website [www.mtdisplays.com](http://www.mtdisplays.com)

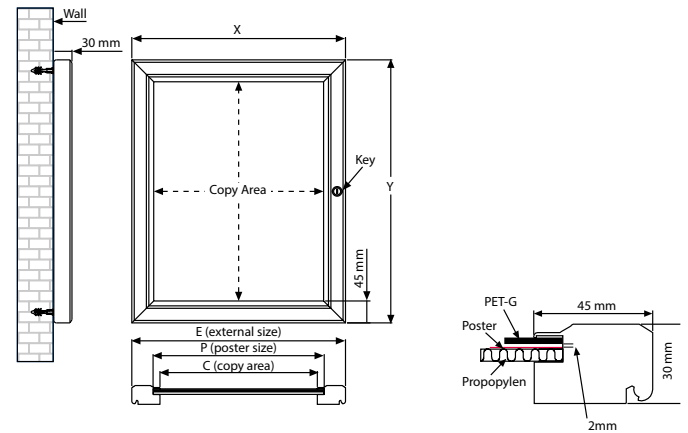
## FEATURES



## EXPLODED VIEW



## TECHNICAL DRAWING



## ARTICLES

ARTICLE	EXTERNAL (x-y)	POSTER	COPY	KEY	WEIGHT	PACKING SIZE
					WITH PACKING	*W X H X D
USBN0000A3	367 X 490 mm	297 X 420 mm	277 X 400 mm	1	2,600 kg	400 X 510 X 60 mm
USBN0000A2	490 X 664 mm	420 X 594 mm	400 X 574 mm	1	3,840 kg	510 X 680 X 60 mm
USBN0000A1	664 X 911 mm	594 X 841 mm	574 X 821 mm	2	5,700 kg	680 X 930 X 60 mm
USBN0000A0	911 X 1259 mm	841 X 1189 mm	821 X 1169 mm	2	10,000 kg	930 X 1280 X 60 mm
USBN0000B2	570 X 770 mm	500 X 700 mm	480 X 680 mm	1	4,740 kg	590 X 790 X 60 mm
USBN0000B1	770 X 1070 mm	700 X 1000 mm	680 X 980 mm	2	8,000 kg	790 X 1090 X 60 mm
USBN000022	24.76" X 30.76"	22" X 28"	21.21" X 27.21"	1	10.471 lbs	25.79" X 31.69" X 2.36"
USBN000023	22.76" X 32.76"	20" X 30"	19.21" X 29.21"	1	11.375 lbs	23.62" X 33.46" X 2.36"
USBN000024	26.76" X 38.76"	24" X 36"	23.21" X 35.21"	1	12.345 lbs	27.95" X 39.76" X 2.36"
USBN000034	32.76" X 42.76"	30" X 40"	29.21" X 39.21"	2	19.202 lbs	33.46" X 43.31" X 2.36"
USBN000036	38.76" X 50.76"	36" X 48"	35.21" X 47.21"	2	21.605 lbs	39.96" X 51.77" X 2.36"

## PHYSICAL DATA

### Material

45mm aluminium profile frame with 30mm depth, PET-G protective cover, propopylen backing.

### Surface Finish

Natural silver anodized aluminium frame, PET-G protective cover in standard.

### Recycled Content

Up to 78% recycled content used.

### Warranty

All products are guaranteed for 3 years by MT Displays with below conditions: [Warranty Conditions](#)

### Storage Conditions

Goods should be stored at 0° to 25°C in a dry place. Store in the original package.

### Installation Considerations

Poster Showboards are packed with a mounting set and easy-to-understand installation sheet. One set includes 45mm natural silver anodised aluminium frame with 30mm depth and hidden locking; propopylen backing; clear plastic pegs to hold and change the posters easily; PET-G protective cover; 2 stays at each end to keep the cover door open; 2 keys; 4 screws and 4 anchors for installing on wall. Each product includes 1 key set of single variation. Lockable cover can be opened to 90 degrees. Please discard the protective film on the unit before use.

### Design Considerations

OUTDOOR FRIENDLY, wall-mounting and lockable showboards for displaying individual posters in different sizes. Suitable for wall mounting with single key A2, A3, double key A0, A1, B1, B2,

20"x30", 30"x40", 500x700mm and 700x1000mm poster sizes. Max. available size is 1200x1800mm. Perfect way to offer multiple services, present/change messages, announcements and promotions in outdoor places under a shelter or public buildings like offices, hospitals, schools and more. Available for weatherproof use by inside water leakage isolation.

### Cleaning and Disinfecting

Clean your displays, with damp microfiber clothes, rinsed with simply water or warm, soapy or gentle shampooed water. Avoid using vinegar, abrasive, acidic, alcohol-based or heavy cleaners or cleaners containing Ammonia. Only after cleaning the product, if needed, simply apply disinfectant or sanitizer that is in compliance with your local guidelines and regulations.



T: +90 850 433 67 85 / [info@mtdisplays.com](mailto:info@mtdisplays.com) / [www.mtdisplays.com](http://www.mtdisplays.com)

# PRINT TEMPLATES

## Poster Showboard - A3

Document Size: 307 x 430 mm (Includes Bleeds)  
Finished Size: A3 (297 x 420 mm) [Print](#)

## Poster Showboard - A2

Document Size: 430 x 604 mm (Includes Bleeds)  
Finished Size: A2 (420 x 594 mm) [Print](#)

## Poster Showboard - A1

Document Size: 604 x 851 mm (Includes Bleeds)  
Finished Size: A1 (594 x 841 mm) [Print](#)

## Poster Showboard - A0

Document Size: 851 x 1199 mm (Includes Bleeds)  
Finished Size: A0 (841 x 1189 mm) [Print](#)

## Poster Showboard - B2

Document Size: 510 x 710 mm (Includes Bleeds)  
Finished Size: B2 (500 x 700 mm) [Print](#)

## Poster Showboard - B1

Document Size: 710 x 1010 mm (Includes Bleeds)  
Finished Size: B1 (700 x 1000 mm) [Print](#)

## Poster Showboard - 20"x30"

Document Size: 20.4" x 30.4" (Includes Bleeds)  
Finished Size: 20"x30" (508x762 mm) [Print](#)

## Poster Showboard - 22"x28"

Document Size: 22.4" x 28.4" (Includes Bleeds)  
Finished Size: 22"x28" (558.8x711.1 mm)

## Poster Showboard - 24"x36"

Document Size: 24.4" x 36.4" (Includes Bleeds)  
Finished Size: 24"x36" (609.6x914.4 mm)

## Poster Showboard - 30"x40"

Document Size: 30.4" x 40.4" (Includes Bleeds)  
Finished Size: 30"x40" (762x1016 mm) [Print](#)

## Poster Showboard - 36"x48"

Document Size: 36.4" x 48.4" (Includes Bleeds)  
Finished Size: 36"x48" (914.4x1219 mm)

# INSTALLATION INSTRUCTIONS

Poster Showboard / 1001897

This technical sheet's contents are all subject to update and modification at MT Displays' exclusive discretion. There is nothing official about this document. For final and legally binding information, please get in touch with the sales staff at MT Displays.



T: +90 850 433 67 85 / [info@mtdisplays.com](mailto:info@mtdisplays.com) / [www.mtdisplays.com](http://www.mtdisplays.com)