

Q BELT



TENSION TAPE PORTABLE AND RETRACTABLE CROWD CONTROL SYSTEM

Retractable crowd control system, Q Belt, is ready to use in place which offers a choice of post finishes combined with a selection of belt colours. It is suitable to be used wherever people come together. Such as airports, cinema halls, hotels, museums etc. 4 way pole provides the flexibility to create the optimum pedestrian flow. Retractable tape is controlled with tension to keep the tape straight when the tape is moved or pulled out. Q Belt is constructed from sturdy, durable steel. It features with rubberized and heavy weight base.

KEY SELECTION ATTRIBUTES

- * Highly durable steel Q Belt, crowd control system, equipped with a tension type retractable tape.
- * Portable and easy to assemble and disassemble with elegant design.
- * 4-way pole provides flexibility to create optimum pedestrian flow in high traffic areas like airports, cinema halls, hotels, museums and more.
- * Retractable tape is controlled with tension to keep the tape straight when the tape is moved or pulled out.
- * One set includes a heavy steel Ø345 mm circle base with 8 kg weight; Ø118 mm steel profile post with 900 mm height; a tension type retractable tape suitable for use with header accessories; screw and spanner for installation. Header accessories with adapter are optional, not included in standard package, should be ordered separately.
- * Optional Slide-in Sign Frame or Acrylic Headers in landscape or portrait A4 size can be rotated for 360° to ensure that the message is viewable from all angles.
- * Post and base is available in Gray, Chrome and Black colors in combination with 2,9 mt tape (± 50 mm) in Black, Red and Blue colors.
- * Tape is suitable for branding in printing size of max 40x2700 mm. Belt length may change between 2100 to 2900mm depending on belt color and double side printing option and print design.
- * The heavy duty steel base with rubberized bottom provides stability.
- * Packed unassembled in 2 boxes with an easy-to-understand instruction sheet & fixing elements. See info chart for pack sizes. Easy to assemble.



COLOURS IN STOCK



Black Chrome Gray

CHOICE OF BELT COLOURS



Black Blue Red

SUITABLE FOR

Q Belts can be used for INDOOR and conditionally OUTDOOR applications, for signage needs in many locations like shopping centers, markets, groceries, hotels, offices airports, shops and stores, hospitals, schools, apartments, restaurants, halls, meeting rooms, gas stations and many more.

WATCH VIDEO

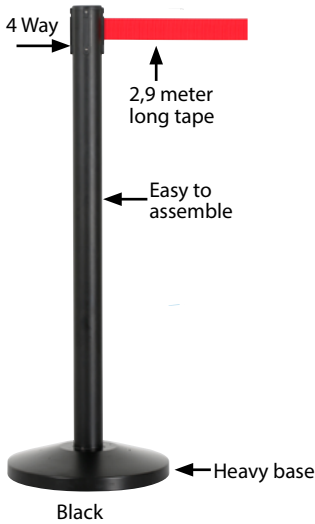


Watch video at our website
www.mtdisplays.com

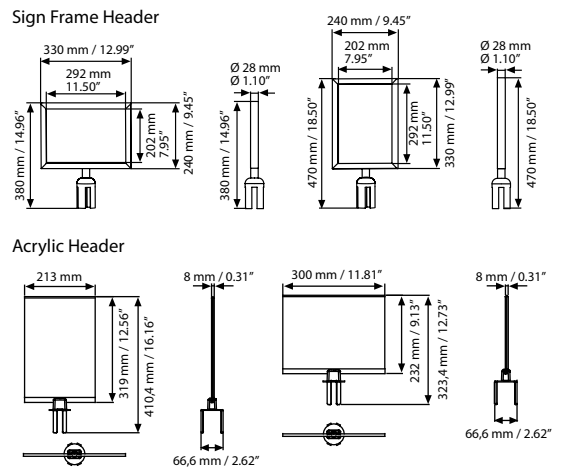
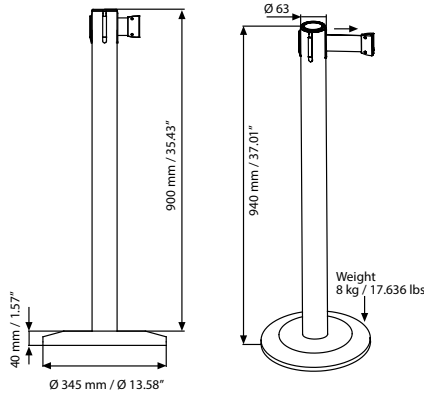
FEATURES



EXPLODED VIEW



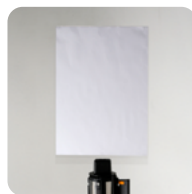
TECHNICAL DRAWING



ARTICLES

Steel post		WEIGHT	PACKING SIZE
ARTICLE	DESCRIPTION	WITHPACKING	*W X H X D
UQBL01BB00	Black-Black Tape	9,360 kg	100 X 970 X 125 mm / 390 X 390 X 60 mm
UQBL01BR00	Black-Red Tape	9,360 kg	100 X 970 X 125 mm / 390 X 390 X 60 mm
UQBL01BL00	Black-Blue Tape	9,360 kg	100 X 970 X 125 mm / 390 X 390 X 60 mm
UQBL01GB00	Grey-Black Tape	9,360 kg	100 X 970 X 125 mm / 390 X 390 X 60 mm
UQBL01GR00	Grey-Red Tape	9,360 kg	100 X 970 X 125 mm / 390 X 390 X 60 mm
UQBL01GL00	Grey-Blue Tape	9,360 kg	100 X 970 X 125 mm / 390 X 390 X 60 mm
UQBL01CB00	Chrome-Black Tape	9,360 kg	100 X 970 X 125 mm / 390 X 390 X 60 mm
UQBL01CL00	Chrome-Blue Tape	9,360 kg	100 X 970 X 125 mm / 390 X 390 X 60 mm
UQBL01CR00	Chrome-Red Tape	9,360 kg	100 X 970 X 125 mm / 390 X 390 X 60 mm

OPTIONAL ACCESSORIES



Acrylic Frame

Header Acrylic		WEIGHT	PACKING SIZE
ARTICLE	DESCRIPTION	WITHPACKING	*W X H X D
UQBL0011A4	Portrait, A4	1,000 kg	245 X 335 X 75 mm
UQBL0012A4	Landscape, A4	1,000 kg	245 X 335 X 75 mm



PHYSICAL DATA

Material

Steel circle base with rubberized bottom, steel profile post, woven plastic tape, optional acrylic or metal header frames.

Surface Finish

Post and base is available in Gray, Chrome and Black colors in combination with 2,9 mt tape (± 50 mm) in Black, Red and Blue colors.

Recycled Content

Recycled content

Warranty

All products are guaranteed for 2 years by MT Displays with below conditions:

[Warranty Conditions](#)

Storage Conditions

Goods should be stored at 0° to 25°C in a dry place. Store in the original package.

Installation Considerations

Q Belts are packed unassembled in 2 boxes with an easy-to-understand instruction sheet & fixing elements. See info chart for pack sizes. Easy to assemble. One set includes a heavy steel Ø345 mm circle base with 8 kg weight; Ø118 mm steel profile post with 900 mm height; a tension type retractable tape suitable for use with header accessories; screw and spanner for installation. Header accessories with adapter are optional, not included in standard package, should be ordered separately. The heavy duty steel base with rubberized bottom provides stability.

Design Considerations

Highly durable steel Q Belt, crowd control system, equipped with a tension type retractable tape. Portable and easy to assemble and disassemble with ergonomic and elegant design. 4-Way pole provides flexibility to create optimum pedestrian flow in high traffic areas like airports, cinema halls, hotels, museums and more. Retractable tape is controlled with tension to keep the tape straight when the tape is moved or pulled out. Optional Slide-in Sign Frame or Acrylic Headers in landscape or portrait A4 size can be rotated for 360° to ensure that the message is viewable from all angles. Tape is suitable for branding in printing size of max 40x2700 mm. Belt length may change between 2100 to 2900mm depending on belt color and double side printing option and print design.

Cleaning and Disinfecting

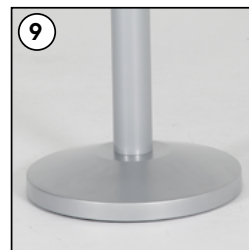
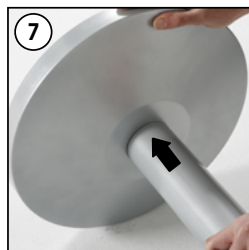
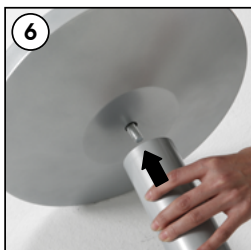
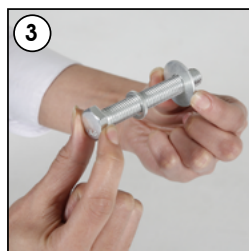
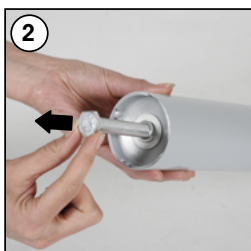
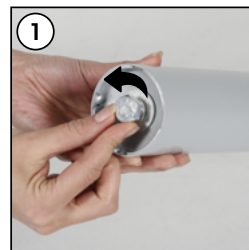
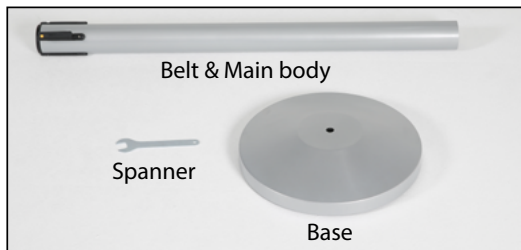
Clean your displays, with damp microfiber clothes, rinsed with simply water or warm, soapy or gentle shampooed water. Avoid using vinegar, abrasive, acidic, alcohol-based or heavy cleaners or cleaners containing Ammonia. Only after cleaning the product, if needed, simply apply disinfectant or sanitizer that is in compliance with your local guidelines and regulations.

INSTALLATION INSTRUCTIONS

Q Belt / 1009240

Each product includes

- 1 x Belt 2,90 m
- 1 x Main body
- 1 x Base
- 1 x Screw M12
- 1 x 19 Spanner



• Please inform the order number on the product or on the carton (e.g. 1/110001394-460) to the place that you have made the purchase if any problem with the product occurs.

• All rights reserved. All pictures, figures and writings are secured internationally by copy-right law. Infringements will be sued by civil and legal law.

This technical sheet's contents are all subject to update and modification at MT Displays' exclusive discretion. There is nothing official about this document. For final and legally binding information, please get in touch with the sales staff at MT Displays.

