

RESTAURANT BOARDS



HEAVY DUTY RESTAURANT BOARD FOR YOUR MENUS PROMOTIONS AND NOTES

Heavy duty outdoor Restaurant board is ideal for displaying menus, special offers, events and more. Restaurant Boards are designed smart to cover magnetic tape on the cover with Black silk screen printing. These versatile menuboards are produced with durable steel material to suit outdoor conditions. Steel base covered with soft material to protect the floors. Textured black or Black-Grey finishes offers options to users. It is easy to change the message. It captures the customer's attention in all frequented traffic areas.

KEY SELECTION ATTRIBUTES

- * Heavy duty Restaurant Board, made of durable steel material to suit OUTDOOR conditions and highly frequented traffic areas.
- * Ideal for displaying menus, special offers, events and more.
- * One set includes a black or hammered black powder coated durable base for providing stability, steel profile legs and a steel restaurant board frame with smart cover with magnetic tape and lock.
- * Single leg version is adjustable for portrait and landscape positions and it is suitable for 4xA4 poster size. Double leg version is suitable for 3xA4 poster size.
- * Easily change messages or prints without using any tools.

- * Textured black or black-grey powder coated in standard, various RAL colors available with antimicrobial powder coating.
- * Heavy steel base covered with soft material to protect the floors.
- * Packed unassembled in a sturdy box.



4xA4 Black

4xA4 Black Hammered

3xA4 Black Hammered



COLOURS IN STOCK



Black



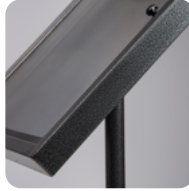
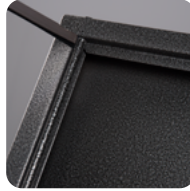
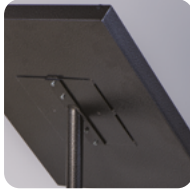
Hammered Black

SUITABLE FOR

Restaurant Boards can be used for OUTDOOR applications for signage needs in highly frequented traffic areas like restaurants, coffee shops, stores, hotels, shopping centers and many more.

FEATURES

4x A4



3x A4

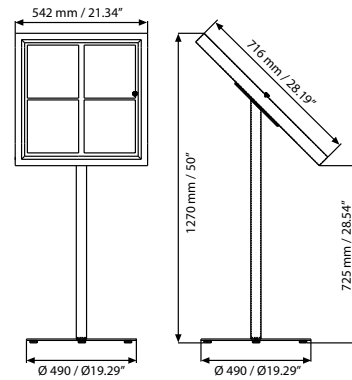


EXPLODED VIEW

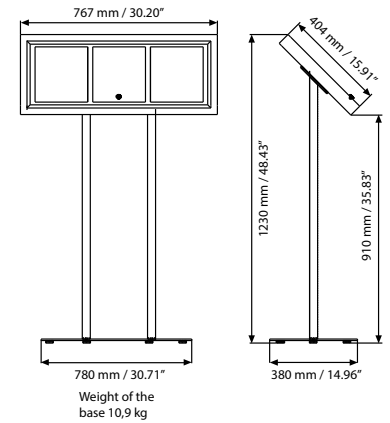


TECHNICAL DRAWING

4x A4



3x A4



ARTICLES

ARTICLE	CAPACITY	DESCRIPTION	HEIGHT	WEIGHT	PACKING SIZE
				WITH PACKING	*W X H X D
UMB00B04A4	4 X A4	Black	1270 mm / Portrait	23,600 kg	220 X 1120 X 65 mm
					520 X 520 X 30 mm
					600 X 770 X 80 mm
UMB00N04A4	4 X A4	Hammered Black	1205 mm / Landscape	23,600 kg	220 X 1120 X 65 mm
					520 X 520 X 30 mm
					600 X 770 X 80 mm
UMB00B03A4	3 X A4	Black	1230 mm / Landscape	21,800 kg	410 X 810 X 30 mm
					180 X 1120 X 55 mm
					430 X 790 X 80 mm
UMB00N03A4	3 X A4	Hammered Black	1230 mm / Landscape	21,800 kg	410 X 810 X 30 mm
					180 X 1120 X 55 mm
					430 X 790 X 80 mm

OPTIONAL ACCESSORIES



Optional magnetic buttons.
Packed in 10. UYUP397000



T: +90 850 433 67 85 / info@mtdisplays.com / www.mtdisplays.com

PHYSICAL DATA

Material

Heavy base made of steel, steel profile legs, steel restaurant board frame, poster cover with magnetic tape.

Poster Material & Thickness

0,10 – 0,20 mm for standard product. Max poster thickness is 1 mm. any non-standard poster thicknesses should be indicated with order.

Surface Finish

Textured black or black-grey powder coated in standard, various RAL colors available with antimicrobial powder coating. Call for custom color requests.

Recycled Content

Up to 78% recycled content used.

Warranty

All products are guaranteed for 3 years by MT Displays with below conditions:
[Warranty Conditions](#)

Installation Considerations

Restaurant Boards are packed unassembled in a sturdy box with an easy-to-understand instruction sheet & fixing elements. One set includes a black or hammered black powder coated durable base for providing stability, steel profile legs and a steel restaurant board frame with smart cover with magnetic tape and lock. 3 packs. See info chart for pack sizes.

Storage Conditions

Goods should be stored at 0° to 25°C in a dry place. Store in the original package.

Design Considerations

Verstaile design for outdoor & heavy duty applications in highly frequented traffic areas. Single leg version is adjustable for portrait and landscape positions and it is suitable for 4x4 poster size. Double leg version is suitable for 3x4 poster size. Easily change messages or prints without using any tools. Heavy steel base covered with soft material to protect the floors. Heavy base provides stability.

Cleaning and Disinfecting

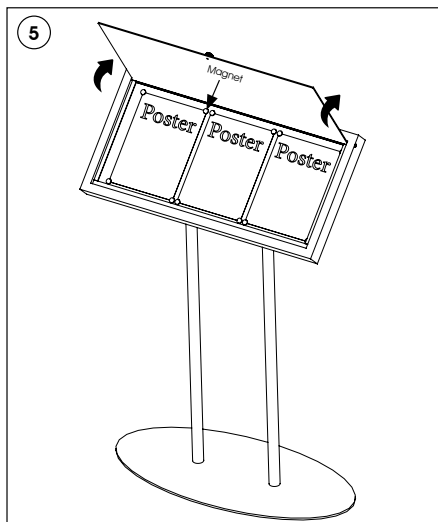
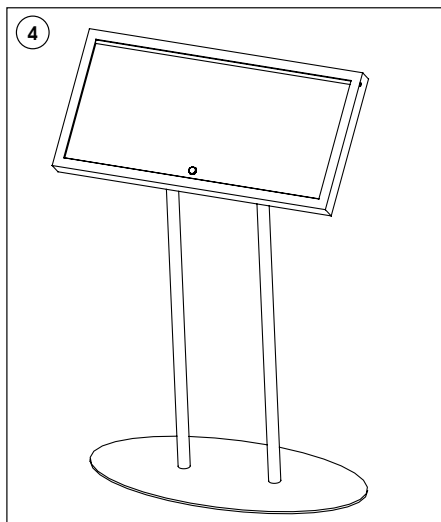
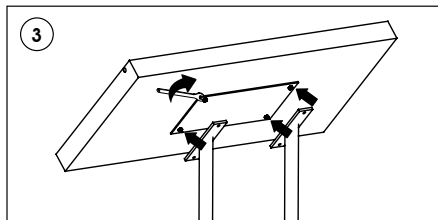
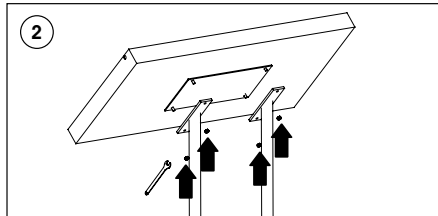
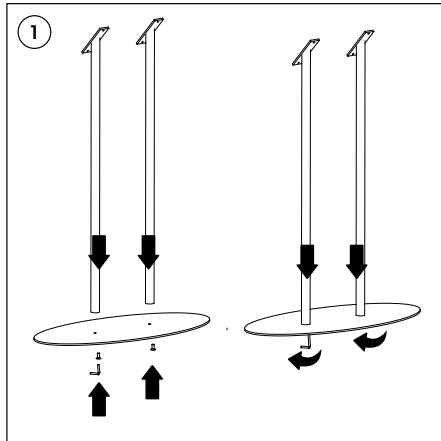
Clean your displays, with damp microfiber clothes, rinsed with simply water or warm, soapy or gentle shampooed water. Avoid using vinegar, abrasive, acidic, alcohol-based or heavy cleaners or cleaners containing Ammonia. Only after cleaning the product, if needed, simply apply disinfectant or sanitizer that is in compliance with your local guidelines and regulations.

INSTALLATION INSTRUCTIONS

Restaurant Boards 3A4 / 1008753

Each product package includes

- 1 x Restaurant board frame
- 1 x Base
- 2 x Main body pipe
- 2 x Bolt M8x20 mm
- 4 x Nut M6
- 1 x 5 Allen key
- 1 x Spanner 10



- Please inform the order number on the product or on the carton (e.g. 1/110001394-460) to the place that you have made the purchase if any problem with the product occurs.
- All rights reserved. All pictures, figures and writings are secured internationally by copy-right law. Infringements will be sued by civil and legal law.

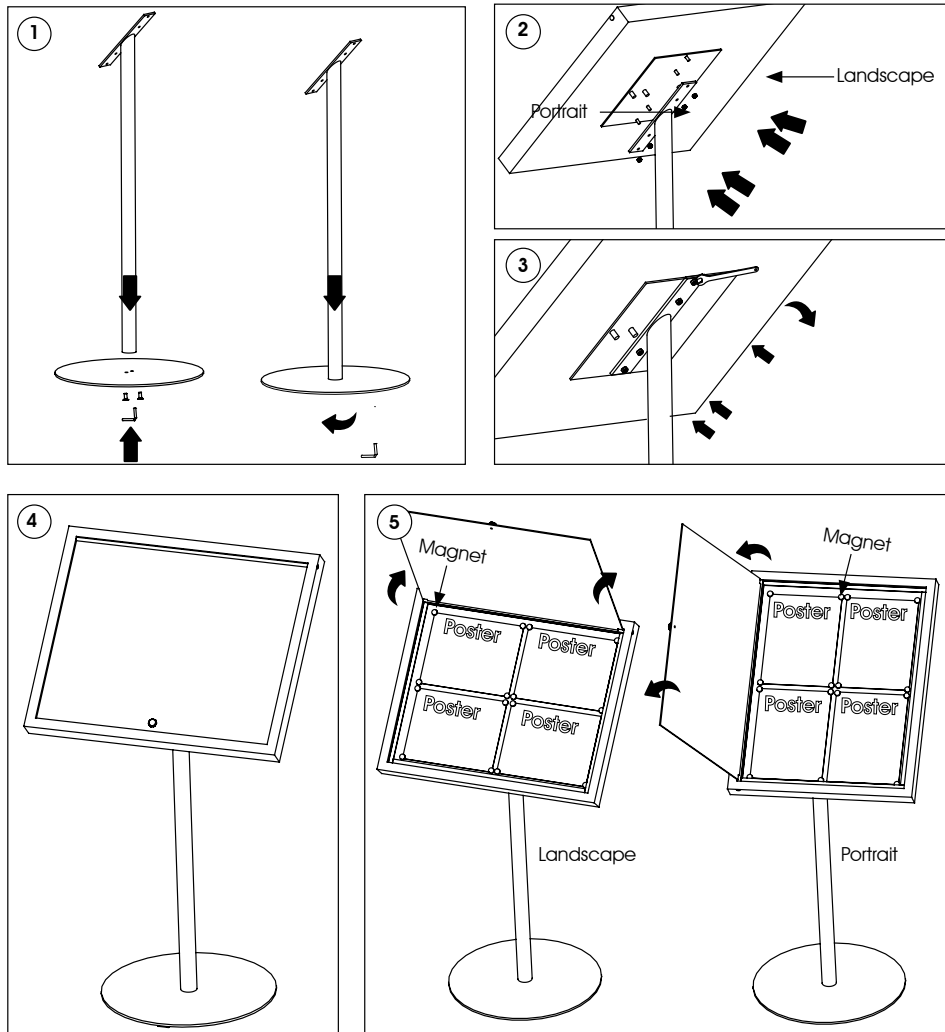


INSTALLATION INSTRUCTIONS

Restaurant Boards 4A4 / 1008754

Each product package includes

- 1 x Restaurant board frame
- 1 x Main body pipe
- 2 x Bolt M8x20 mm
- 4 x Nut M6
- 1 x Base
- 1 x 5 Allen key
- 1 x Spanner 10



- Please inform the order number on the product or on the carton (e.g. 1/110001394-460) to the place that you have made the purchase if any problem with the product occurs.
- All rights reserved. All pictures, figures and writings are secured internationally by copy-right law. Infringements will be sued by civil and legal law.

This technical sheet's contents are all subject to update and modification at MT Displays' exclusive discretion. There is nothing official about this document. For final and legally binding information, please get in touch with the sales staff at MT Displays.



T: +90 850 433 67 85 / info@mtdisplays.com / www.mtdisplays.com