

SLIDE-IN SWINGPRO® & WINDPRO®



DOUBLE SIDED PAVEMENT SIGNS WITH PATENT PROTECTION

Top opening Slide-in WindPro is a well designed outdoor product. Poster is secured in the lockable frame and stands firm between the cover and backing. Safe corners of the frame complies health and safety regulations. The springs stabilize the poster and frame in outdoor conditions.

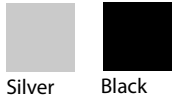
KEY SELECTION ATTRIBUTES

- * Double-sided, patent protected (OHIM DM/084 128) Outdoor Pavement Sign with top opening slide-in design and swinging springs in combination with optional heavy long feet or water base for flexibility and stability.
- * Easy to use by sliding posters from top opening profile in between PET covers and PP backing. Top opening profile is lockable for securing the posters.
- * Silver and black colours in standard and various RAL colors available with antimicrobial powder coating.
- * Suitable for poster sizes 22"x28" (559x711 mm), 24"x36" (610x914 mm), 27"x40" (686x1016 mm).
- * Standard poster thickness is between 0,10 to 0,20 mm. If used without PP backer, maximum poster thickness is 4,00 mm for low density rigid posters.
- * One set includes double sided top opening slide-in aluminium frame with locking function, bottom profile for easy application of slide-in sandwich panel with 2 anti-reflex PET poster covers and 1 PP backing, swinging springs for

- stabilizing the frame in outdoor conditions, optional Swingpro Steel Base or HLDPE Windpro Water Base with wheels and related fixing accessories like allen keys, nuts, spanners, brackets and washers.
- * Use the wrench enclosed and tighten carefully. If tightened too much, the base can breach.
- * Bottom profile of sandwich slide-in panel provide easy application.
- * Water base or heavy long feet on base provide stability.
- * Safe corners of the frame complies health and safety regulations.
- * It is recommend to carry the product with carry tool when the base is full with water. Carry tool is optional, not included in the package, please order separately.
- * Packed in 2 boxes with an easy-to-understand instruction sheet. No tool assembly.



COLOURS IN STOCK



Silver Black

COLOUR OPTIONS

Black Anodised

Red - RAL 3020

Blue - RAL 5002

Green - RAL 6029

White - RAL 9003

SUITABLE FOR

Slide-in Swingpro and Windpro can be used for OUTDOOR applications, for signage needs in many locations like shopping centers, markets, groceries, hotels, offices airports, shops and stores, hospitals, schools, apartments and many more.

WATCH VIDEO



Watch video at our website
www.mtdisplays.com

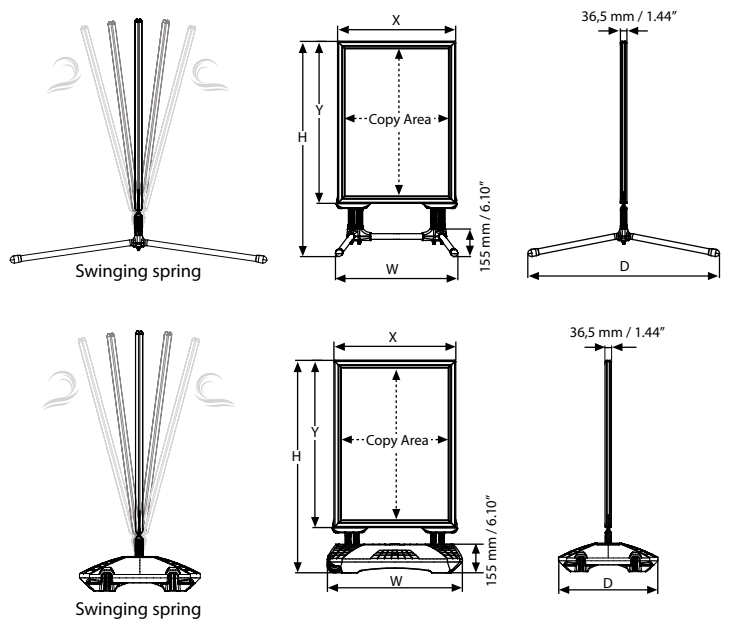
FEATURES



EXPLODED VIEW



TECHNICAL DRAWING



ARTICLES

FRAME					WEIGHT	PACKING SIZE
SILVER	BLACK	EXTERNAL (x-y)	POSTER	COPY	WITH PACKING	*W X H X D
USWS000N22	USWS000B22	631 X 783 mm	559 X 711 mm	551 X 703 mm	8,105 kg	680 X 1050 X 47 mm
USWS000N24	USWS000B24	682 X 986 mm	610 X 914 mm	602 X 906 mm	9,590 kg	750 X 1270 X 47 mm
USWS000N74	USWS000B74	758 X 1088 mm	686 X 1016 mm	678 X 1008 mm	11,29 kg	820 X 1340 X 47 mm

STEEL BASE						WEIGHT	PACKING SIZE
SILVER	BLACK	FOR	H	W	D	WITH PACKING	*W X H X D
UTSM002000	UTSM002010	559 X 711 mm	1083 mm	690 mm	1070 mm	4,000 kg	220 X 1180 X 47 mm
UTSM002000	UTSM002010	610 X 914 mm	1286 mm	690 mm	1070 mm	5,600 kg	220 X 1180 X 47 mm
UTSM003000	UTSM003010	686 X 1016 mm	1388 mm	890 mm	1260 mm	4,600 kg	220 X 1310 X 47 mm

NEWTech WATER BASE						WEIGHT	PACKING SIZE
SILVER	BLACK	FOR	H	W	D	WITH PACKING	*W X H X D
UTWM003000	UTWM003010	559 X 711 mm	1028 mm	720 mm	530 mm	4,480 kg	555 X 750 X 178 mm
UTWM003000	UTWM003010	610 X 914 mm	1231 mm	720 mm	530 mm	4,480 kg	555 X 750 X 178 mm
UTWM004000	UTWM004010	686 X 1016 mm	1333 mm	900 mm	630 mm	6,850 kg	605 X 930 X 178 mm

OPTIONAL ACCESSORIES



Optional carry tool.
UYUP480945



T: +90 850 433 67 85 / info@mtdisplays.com / www.mtdisplays.com

PHYSICAL DATA

Material

40 mm aluminium profile, PET anti-reflex poster cover, PP backing.

Poster Thickness

Standard poster thickness is between 0,10 to 0,20 mm. If used without PP backer, maximum poster thickness is 4,00 mm for low density rigid posters. Any non-standard poster thicknesses should be indicated with order.

Surface Finish

Natural silver-anodized, or black powder coated in standard and various RAL colors available with antimicrobial powder coating. Call for custom color requests.

Recycled Content

For frame part up to 78% and for base part up to 40% recycled content used.

Warranty

All products are guaranteed for 3 years by MT Displays with below conditions:

[Warranty Conditions](#)

Storage Conditions

Goods should be stored at 0° to 25°C in a dry place. Store in the original package.

Installation Considerations

Slide-in Swingpro and Windpro Signs are packed in 2 boxes with an easy-to-understand instruction sheet. No tool assembly. One set includes double sided top opening slide-in aluminium frame with locking function, bottom profile for easy application of slide-in sandwich panel with 2 anti-reflex PET poster covers and 1 PP backing, swinging springs for stabilizing the frame in outdoor conditions, optional Swingpro Steel Base or HLDPE Windpro Water Base with wheels and related fixing accessories like allen keys, nuts, spanners, brackets and washers. It is recommend to carry the product with carry tool when the base is full with water. Carry tool is optional, not included in the package, please order separately. Use the wrench enclosed and tighten carefully. If tightened too much, the base can breach.

Design Considerations

Double-sided, patent protected (OHIM DM/084 128) Outdoor Pavement Sign with top opening slide-in design and swinging springs in combination with optional heavy long feet or water base for flexibility and stability. Easy to use by sliding posters from top opening profile in between PET covers and PP backing. Bottom profile of sandwich slide-in panel provide easy application. Top opening profile is lockable for securing the posters. Suitable for

poster sizes 22" x 28" (559 x 711 mm), 24" x 36" (610 x 914 mm), 27" x 40" (686 x 1016 mm). Water base or heavy long feet on base provide stability. Safe corners of the frame complies health and safety regulations.

Cleaning and Disinfecting

Clean your displays, with damp microfiber clothes, rinsed with simply water or warm, soapy or gentle shampooed water. Avoid using vinegar, abrasive, acidic, alcohol-based or heavy cleaners or cleaners containing Ammonia. Only after cleaning the product, if needed, simply apply disinfectant or sanitizer that is in compliance with your local guidelines and regulations.

Patent

OHIM DM/098 297, PCT/EP2018/060515

PRINT TEMPLATES

Slide-in SwingPro & WindPro- 22" x 28"

Document Size: 22.4" x 28.4" (Includes Bleeds)

Finished Size: 22" x 28" (558.8 x 711.2 mm) [Print](#)

Slide-in SwingPro & WindPro - 24" x 36"

Document Size: 24.4" x 36.4" (Includes Bleeds)

Finished Size: 24" x 36" (609,6 x 914,4 mm) [Print](#)

Slide-in SwingPro & WindPro - 27" x 40"

Document Size: 27.4" x 40.4" (Includes Bleeds)

Finished Size: 27" x 40" (685.8 x 1016 mm) [Print](#)



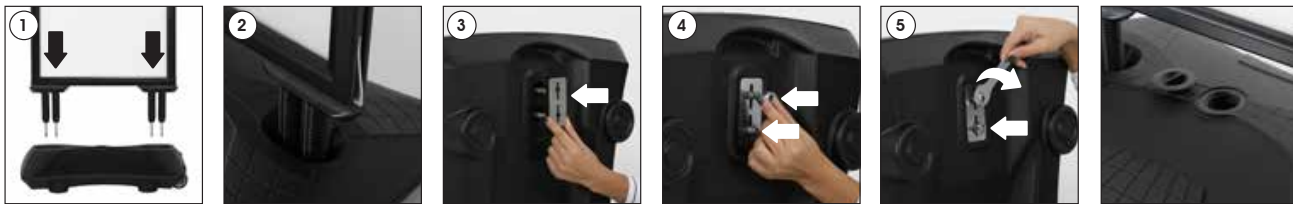
INSTALLATION INSTRUCTIONS

Slide-in SwingPro & WindPro / 1008623

Slide-in SwingPro Steel base

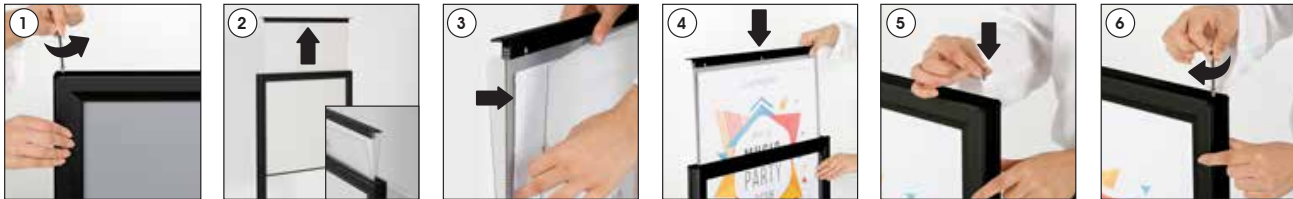


Slide-in WindPro Waterbase



You can fill in the base by water & close the cover cap.

Poster Change



Each product package includes mounting accessories for Frame

- 1 x SwingPro & WindPro Slide-in Frame
- 1 x PP panel
- 2 x PET cover
- 1 x 3 Allen key
- 4 x Nut M10
- 1 x 17 spanner



WARNING!

- Please use the wrench enclosed and tighten carefully. When tighten too much, the base can breach.
- It is recommend to carry the product with the tool as shown (optional available), when the base is full with water.



- Please inform the order number on the product or on the carton (e.g. 1/110001394-460) to the place that you have made the purchase if any problem with the product occurs.
- All rights reserved. All pictures, figures and writings are secured internationally by copy-right law. Infringements will be sued by civil and legal law.

This technical sheet's contents are all subject to update and modification at MT Displays' exclusive discretion. There is nothing official about this document. For final and legally binding information, please get in touch with the sales staff at MT Displays.



T: +90 850 433 67 85 / info@mtdisplays.com / www.mtdisplays.com