

## STANDOFF MOUNT ACRYLIC SIGN



### FRAMELESS DISPLAY SYSTEMS FOR CHANGING POSTERS FREQUENTLY

Designed as frameless, the Standoff Mount Acrylic Sign is a practical display system allowing you to change the poster when it is still on the wall by sliding it. It is suitable for environments where the advertisements or promotions are changed very often, such as offices, meeting rooms, travel agents, hotels, restaurants, and many more Standoff Mount Acrylic Sign is also suitable for branding.

### KEY SELECTION ATTRIBUTES

- \* Frameless, practical display system.
- \* Suitable for environments where the posters are changed very often
- \* Suitable for branding
- \* Ideal for various poster sizes.
- \* Silver or gold finish hanger options.
- \* Comes with UYPSMS0010 fixing kit.



## COLOURS IN STOCK



Silver Black

## SUITABLE FOR

Acrylic Signs can be used for INDOOR applications, for signage needs in many locations like shopping centers, markets, groceries, hotels, offices airports, shops and stores, hospitals, schools, apartments and many more.

## WATCH VIDEO



Watch video at our website  
www.mtdisplays.com

## FEATURES



## OPTIONAL ACCESSORIES

Stand Off Acrylic sign Hanger packed in 4 pcs in box



Brushed Silver  
UYPSMSBG20



Chrome Silver  
UYPSMSCS20



Brushed Gold  
UYPSMSBG20

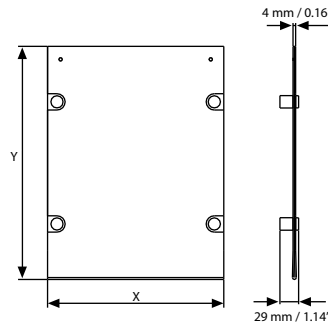


Chrome Gold  
UYPSMSCG20

## EXPLODED VIEW



## TECHNICAL DRAWING



## ARTICLES

ARTICLE	EXTERNAL (x-y)	POSTER SIZE	WEIGHT	PACKING SIZE
			WITH PACKING	*W X H X D
USMSD000A4	270 X 357 mm	210 X 297 mm	2,900 kg	300 X 460 X 45 mm (5 Pcs)
USMSD000A3	357 X 480 mm	297 X 420 mm	4,700 kg	380 X 590 X 45 mm (5 Pcs)
USMSD000A2	480 X 654 mm	420 X 594 mm	2,300 kg	500 X 690 X 40 mm
USMSD00081	10.87" X 13.37"	8.5" X 11"	1.234 lbs	11.81" X 18.11" X 1.77"
USMSD00017	13.37" X 19.36"	11" X 17"	2.028 lbs	14.96" X 23.23" X 1.77"
USMSD00018	20.36" X 26.36"	18" X 24"	4.409 lbs	21.26" X 27.56" X 1.57"
USMSD00022	24.36" X 30.36"	22" X 28"	6.172 lbs	25.20" X 31.89" X 1.57"

Fixing kit included.

## PHYSICAL DATA

### Material

Clear acrylic.

### Poster Material & Thickness

0,10 – 0,20 mm for standard product. Max poster thickness is 1 mm. Any non-standard poster thicknesses should be indicated with order.

### Surface Finish

Clear acrylic surface and optional brushed silver, chrome silver, brushed gold or chrome gold hangers.

### Recycled Content

Up to 78% recycled content used.

### Warranty

All products are guaranteed for 3 years by MT Displays with below conditions:

[Warranty Conditions](#)

### Installation Considerations

Handle with care during transportation. Peel off the film over the product before use. Each pack includes wall mounting accessories (4 screws & 4 anchors) and 4 standoff.

### Storage Conditions

Goods should be stored at 0° to 25°C in a dry place. Store in the original package.

### Design Considerations

Peel off the film.

### Cleaning and Disinfecting

Clean your displays, with damp microfiber clothes, rinsed with simply water or warm, soapy or gentle shampooed water. Avoid using vinegar, abrasive, acidic, alcohol-based or heavy cleaners or cleaners containing Ammonia. Only after cleaning the product, if needed, simply apply disinfectant or sanitizer that is in compliance with your local guidelines and regulations.

## PRINT TEMPLATES

### Standoff Mount Acrylic Sign - A4

Document Size: 220 x 307 mm (Includes Bleeds)  
Finished Size: 210 x 297 mm [Print](#)

### Standoff Mount Acrylic Sign - A3

Document Size: 307 x 430 mm (Includes Bleeds)  
Finished Size: 297 x 420 mm [Print](#)

### Standoff Mount Acrylic Sign - A2

Document Size: 430 x 604 mm (Includes Bleeds)  
Finished Size: 420 x 594 mm [Print](#)

### Standoff Mount Acrylic Sign - 8.5"x11"

Document Size: 8.89" x 11.4" (Includes Bleeds)  
Finished Size: 8.5" x 11"

### Standoff Mount Acrylic Sign - 11"x17"

Document Size: 11.4" x 17.4" (Includes Bleeds)  
Finished Size: 11" x 17"

### Standoff Mount Acrylic Sign - 18"x24"

Document Size: 18.4" x 24.4" (Includes Bleeds)  
Finished Size: 18" x 24"

### Standoff Mount Acrylic Sign - 22"x28"

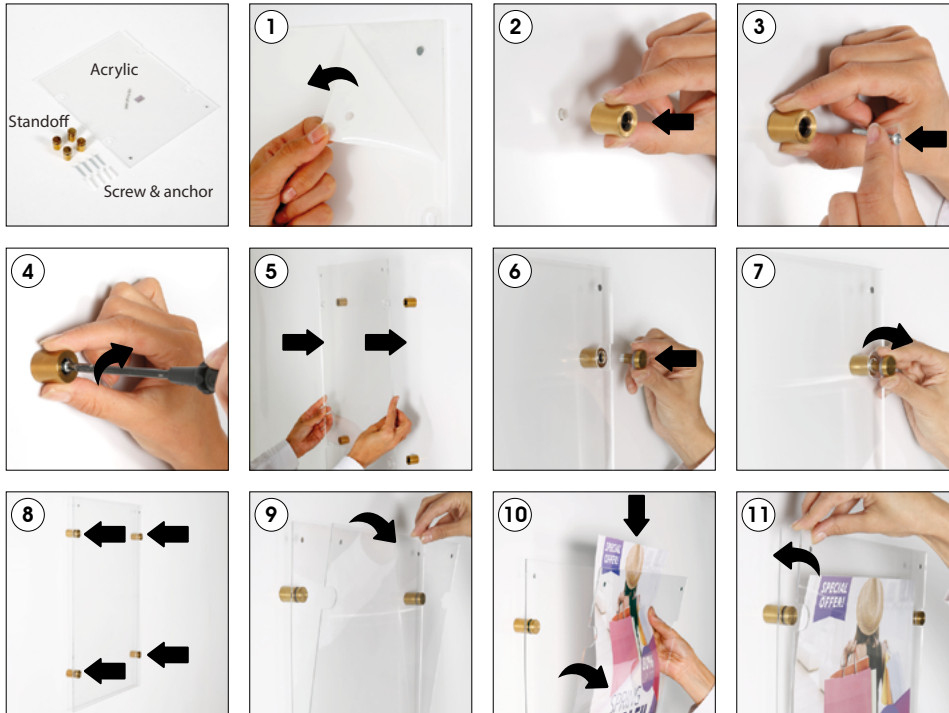
Document Size: 22.4" x 28.4" (Includes Bleeds)  
Finished Size: 22" x 28"



T: +90 850 433 67 85 / info@mtdisplays.com / www.mtdisplays.com

# INSTALLATION INSTRUCTIONS

## Standoff Mount Acrylic Sign / 1009625H000



Each pack includes wall mounting accessories (4 screws & 4 anchors) and 4 standoff



- Please inform the order number on the product or on the carton (e.g. 1/110001394-460) to the place that you have made the purchase if any problem with the product occurs.
- All rights reserved. All pictures, figures and writings are secured internationally by copy-right law. Infringements will be sued by civil and legal law.

This technical sheet's contents are all subject to update and modification at MT Displays' exclusive discretion. There is nothing official about this document. For final and legally binding information, please get in touch with the sales staff at MT Displays.



T: +90 850 433 67 85 / info@mtdisplays.com / www.mtdisplays.com