

STREET BARRIER



INNOVATIVE STREET BARRIER: ELEVATING ADVERTISING VISIBILITY WITH STYLE AND STABILITY

This street barrier creates a unique space by making the advertising stand out. These sign barriers are ready to use in places such as airports, banks, car dealers, hospitals, museums, cinemas, theaters and more. This stanchion post is made of powder finish steel. Heavy steel construction provides stability. The product is shipped unassembled. It can be easily assembled with the photo-oriented instruction manual that comes with the product.

KEY SELECTION ATTRIBUTES

- Easy Street Barrier with a functional design emphasizing advertising and creating unique spaces.
- This stanchion post can be utilized anywhere people come together.
- Suitable for indoor and outdoor use with optional 774 x 1231 mm or 774 x 1815 mm frame sizes and 919mm height as standard.
- Applicable for 24" x 42" (609,6 X 1066,8 mm) or 24" x 65" (609,6 X 1651 mm) poster sizes as standard.
- Recommended for use outdoor vinyl in 450 gr/sqm.
- One set includes 30mm (1,18") heavy steel profile frame, iron feet with 4 kg weight for being tightened to the profile, grommet clips consisting of plastic buttons to be fitted to the rivets, and elastic straps for inserting the vinyl posters inside.
- Black or grey powder coated in standard and various RAL colors available with antimicrobial powder coating.
- Powder coating makes this street barrier resistant to most weather conditions, dust and scratches.
- Suitable for use in places like airports, banks, car dealers, hospitals, museums, cinemas, theatres and more.
- Packed unassembled with an easy mounting instruction sheet & fixing set.
- Heavy steel body ensures stability.



COLOURS IN STOCK



Gray Black

COLOUR OPTIONS

White - RAL 9003

Green - RAL 6029

Yellow - RAL 1021

Red - RAL 3020

Blue - RAL 5002

SUITABLE FOR

These Street Barriers are ready to use in INDOOR and OUTDOOR places such as cafes, restaurants, museums, cinemas, hotels and more where separation needed for guests from pavement pedestrian traffic.

WATCH VIDEO



Watch video at our website
www.mtdisplays.com

FEATURES



EXPLODED VIEW

Grommet clips.



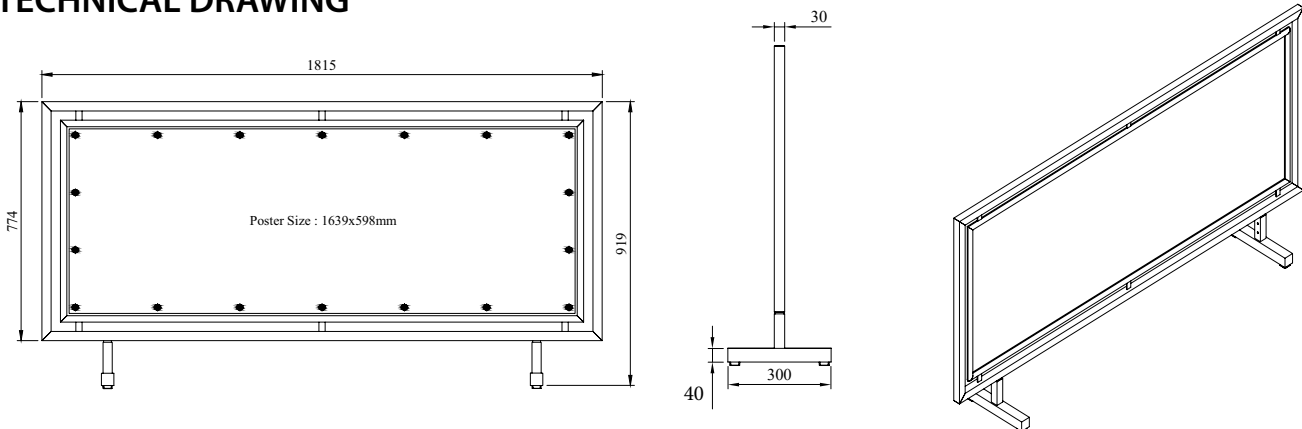
Each foot is 4 kg.

OPTIONAL ACCESSORIES



TSH4010S01X2000
bungee cord

TECHNICAL DRAWING



ARTICLES

	FRAME SIZE	DESCRIPTION	POSTER	WEIGHT	PACKING SIZE
				WITH PACKING	*W X H X D
UBSON00042	774 X 1231 mm	Gray	609,6 X 1066,8 mm	16,000 kg	50" x 38" x 2"
UBSON00065	774 X 1815 mm	Gray	609,6 X 1651 mm	20,000 kg	37.80" x 73.23" x
UBSOB00042	774 X 1231 mm	Black	609,6 X 1066,8 mm	16,000 kg	37.80" x 49.61" x 1.97"
UBSOB00065	774 X 1815 mm	Black	609,6 X 1651 mm	20,000 kg	37.80" x 73.23" x 1.97"



T: +90 850 433 67 85 / info@mtdisplays.com / www.mtdisplays.com

PHYSICAL DATA

Material

30mm (1,18") heavy steel profile, iron feet, plastic buttons, elastic straps.

Poster Material

It is recommended to use outdoor Vinyl Poster in 450 gr/sqm. Any non-standard poster material should be indicated with the order.

Surface Finish

Black or powder coated in standard and various RAL colors available with antimicrobial powder coating. Call for custom color requests.

Recycled Content

Recycle steel.

Warranty

All products are guaranteed for 3 years by MT Displays with below conditions:
[Warranty Conditions](#)

Installation Considerations

Street Barriers are packed unassembled with an easy mounting instruction sheet & fixing set. One set includes 30mm (1,18") heavy steel profile frame, 2 iron feet (4 kg weight per foot) for being tightened to the profile, grommet clips consisting of plastic buttons to be fitted to the rivets, and elastic straps for inserting the vinyl posters inside.

Storage Conditions

Goods should be stored at 0°-35°C in a dry place. Store in the original package.

Design Considerations

Easy Street Barrier with a functional design emphasizing advertising and creating unique spaces. This stanchion post can be utilized anywhere people come together. Suitable for indoor and outdoor use with optional 774 x 1231 mm or 774 x 1815 mm frame sizes and 919mm height as standard. Applicable for 24" x 42" (609,6 X 1066,8 mm) or 24" x 65" (609,6 X 1651 mm) poster sizes as standard. Powder coating makes this street barrier resistant to most weather conditions, dust and scratches. Heavy steel body ensures stability.

Cleaning and Disinfecting

Clean your displays, with damp microfiber clothes, rinsed with simply water or warm, soapy or gentle shampooed water. Avoid using vinegar, abrasive, acidic, alcohol-based or heavy cleaners or cleaners containing Ammonia. Only after cleaning the product, if needed, simply apply disinfectant or sanitizer that is in compliance with your local guidelines and regulations.

PRINT TEMPLATES

Street Barrier -1639,2x598 mm

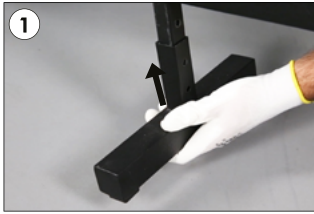
Document Size: 1649,2x608 mm (Includes Bleeds)
Finished Size: 1639,2x598 mm [Print](#)

Street Barrier -1055 x 598 mm

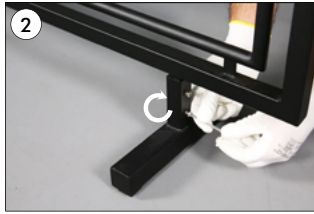
Document Size: 1065 x 608 mm (Includes Bleeds)
Finished Size: 1055 x 598 mm [Print](#)

INSTALLATION INSTRUCTIONS

STREET BARRIER / 1009011



• Place the iron feet to the profiles that are under the frame



• Tighten the screws using allen key and fix the feet to profiles



• Fit the plastic buttons in to the rivet from both sides



• Fix the plastic buttons with screw



• Starting from the corner, place the poster inside the frame using elastic straps



• Please inform the order number on the product or on the carton (e.g. 1/110001394-460) to the place that you have made the purchase if any problem with the product occurs.

• All rights reserved. All pictures, figures and writings are secured internationally by copy-right law. Infringements will be sued by civil and legal law.

This technical sheet's contents are all subject to update and modification at MT Displays' exclusive discretion. There is nothing official about this document. For final and legally binding information, please get in touch with the sales staff at MT Displays.

