

## STREET SIGNPRO BOARD



### MULTIPURPOSE SIDEWALK SIGNS WITH PATENT PROTECTION

Made of durable plastic, Street SignPro Board is outdoor double sided sign frame which holds two signs in size of 24" (W) x 36"(H). Recessed sign area helps to protect poster faces. It is built with a molded-in handle for easy transport. Equipped with scissors on both sides, so SignPro does not slide and damaging sign faces. It is foldable for space saving in storage. No need to fill up with water or sand as it is already constructed with heavy materials. It is available in White and Black. Street SignPro Board is for laminating self-adhesive sticker.

### KEY SELECTION ATTRIBUTES

- \* Double-sided Street SignPro with Patent Protection (PCT/EP2017/052765).
- \* One set includes double sided (HDPE) durable plastic boards with recessed sign areas to protect poster faces, wheels and a molded-in handle for easy transport, flat folded scissors on two sides for keeping the system stable and saving space during storage.
- \* Easy to move and store with 8kg product weight.
- \* Suitable for Outdoor use with 24" (W: 610 mm) x 36" (H: 915 mm) poster sizes on both sides.
- \* Street SignPro Board allows using rigid graphics, laminating self-adhesive posters to stick-on or vinyl sheeting, fluted PP, metal, and Plastech PVC foam board applied with well nut.
- \* Self-adhesive sticker is recommended with surface preparation.
- \* Optional well nut is available. 6 well nuts recommended per sign frame, total 12 well nuts per Street SignPro Board.
- \* White and Black as standard and various RAL colors available with MOQ. Call for custom color requests.
- \* No need to fill up water or sand as it is already constructed with heavy materials.
- \* Packed with an easy-to-understand instruction sheet.
- \* No tool assembly required.



Street SignPro Board - Black



Street SignPro Board - White



## COLOURS IN STOCK



White Black

## COLOUR OPTIONS



## SUITABLE FOR

Street SignPro can be used for INDOOR applications, for signage needs in many locations like shopping centers, markets, groceries, hotels, offices airports, shops and stores, hospitals, petrol stations and many more.

## WATCH VIDEO



Watch video at our website  
www.mtdisplays.com

## FEATURES

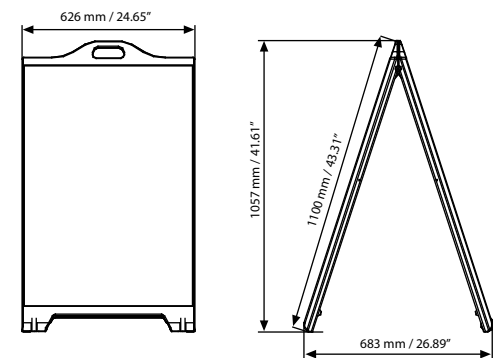


## EXPLODED VIEW



Recommended graphic materials: self-adhesive poster to stick-on or vinyl sheeting, fluted PP, metal, Plastech PVC foam board to apply with well nut.

## TECHNICAL DRAWING



## ARTICLES

	WHITE	BLACK	GRAPHIC SIZE	WEIGHT WITH PACKING	PACKING SIZE *W X H X D
	UPSP310024	UPSP320024	610 X 915 mm	13,600 kg	740 X 1250 X 250 mm

## OPTIONAL ACCESSORIES



Optional well nuts  
(12 Pcs)  
UYSP00010X1000

## PHYSICAL DATA

### Material

Durable plastic HDPE main boards with  $\pm 1,5$  mm shrinking tolerance.

### Poster Material & Thickness

Street SignPro Board allows using rigid graphics and laminating self-adhesive posters. When rigid graphics it is suitable for fluted PP, metal, and PVC foam board applied with well nut. When self-adhesive sticker is used, it is recommended 95micron PVC film. For the best result apply the sticker with surface preparation.

### Surface Finish

White and Black in standard and various RAL colors available with MOQ. MOQ starts from 1000pcs based on the colour. Call for custom color requests.

### Recycled Content

Up to 40% recycled content used.

### Warranty

All products are guaranteed for 3 years by MT Displays with below conditions:

[Warranty Conditions](#)

### Storage Conditions

Goods should be stored at  $0^{\circ}$  to  $25^{\circ}\text{C}$  in a dry place. Store in the original package.

### Installation Considerations

Street SignPro Board is packed with an easy-to-understand instruction sheet. One set includes double sided (HDPE) durable plastic boards with recessed sign areas to protect poster faces, wheels and a molded-in handle for easy transport, flat folded scissors on two sides for keeping the system stable and saving space during storage. No tool assembly required.

### Design Considerations

Double-sided Street SignPro Board with Patent Protection (PCT/EP2017/052765). Easy to move and store with 8kg product weight. Suitable for Outdoor use with 24" (W: 610 mm) x 36" (H: 915 mm) poster sizes on both sides. Optional well nuts are available. 6 well nuts recommended per sign frame, total 12 well nuts per Street SignPro Board. No need to fill up water or sand as it is already constructed with heavy materials.

### Cleaning and Disinfecting

Clean your displays, with damp microfiber clothes, rinsed with simply water or warm, soapy or gentle shampooed water. Avoid using vinegar, abrasive, acidic, alcohol-based or heavy cleaners or cleaners containing Ammonia. Only after cleaning the product, if needed, simply apply disinfectant or sanitizer that is in compliance with your local guidelines and regulations.

### Patent

PCT/EP2017/052765



T: +90 850 433 67 85 / info@mtdisplays.com / www.mtdisplays.com

# PRINT TEMPLATES

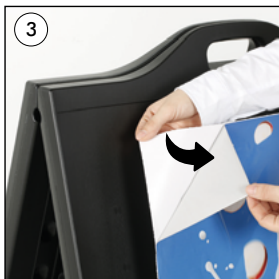
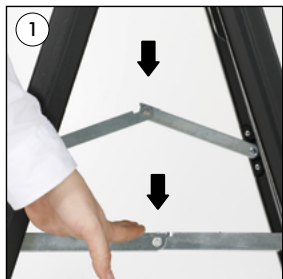
Street Signpro Board - 610 x 915 mm

Document Size: 620 x 925 mm (Includes Bleeds)

Finished Size: 610 x 915 mm [Print](#)

## INSTALLATION INSTRUCTIONS

Street Signpro Board / 1010980H000



- Please inform the order number on the product or on the carton (e.g. 1/110001394-460) to the place that you have made the purchase if any problem with the product occurs.
- All rights reserved. All pictures, figures and writings are secured internationally by copy-right law. Infringements will be sued by civil and legal law.

This technical sheet's contents are all subject to update and modification at MT Displays' exclusive discretion. There is nothing official about this document. For final and legally binding information, please get in touch with the sales staff at MT Displays.



T: +90 850 433 67 85 / [info@mtdisplays.com](mailto:info@mtdisplays.com) / [www.mtdisplays.com](http://www.mtdisplays.com)