

STREET SIGNPRO DECO



MULTIPURPOSE SIDEWALK SIGNS WITH EASY POSTER CHANGING DESIGN

Street Sign Pro Deco which is innovative and a patent protected product. Long-lasting and resistance to direct sunlight. Suitable for In- Outdoor usage as a weather-resistant product. Easy transport with one sided wheels. Moulded-in handle hidden inside, access available when product is folded. Very easy to open with a coin. Half-way-top-opening cover, don't need to take of the whole cover completely. PVC grip profile can insert into the channel very easily. Space saving product for storage.

KEY SELECTION ATTRIBUTES

- * Double-sided Street SignPro Deco with Patent Protection.
- * One set includes double sided (HDPE) durable plastic boards with recessed sign areas for protecting posters, half-way-top-opening poster cover with UV resistant anti-reflex graphic protection and PVC grip profile that can insert into channel easily for changing posters, top logo areas on both sides with 300x40(h) mm max. print areas, one sided wheels

- and a molded-in handle for easy transport, flat folded scissors on two sides for keeping the system stable and saving space during storage.
- * Moulded-in handle is accesible when product is folded.
- * Suitable for Indoor and Outdoor use A1 (594x841 mm) poster size on both sides.
- * Easy to carry with 11,5 kg product weight.
- * Maximum poster thickness is 2,00 mm.

- * Black and Grey in standard and various RAL colors available with MOQ. MOQ starts from 1000pcs based on the colour. Call for custom color requests.
- * No need to fill up water or sand as it is already constructed with heavy materials.
- * Packed in a single box with an easy-to-understand instruction sheet. No tool assembly required. Setup in 20 seconds.



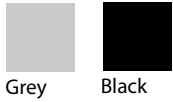
Grey



Black



COLOURS IN STOCK



Grey Black

COLOUR OPTIONS

White - RAL 9003

Red - RAL 3020

Blue - RAL 5002

Green - RAL 6029

Yellow - RAL 1021

SUITABLE FOR

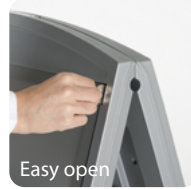
Street SignPro Deco can be used for INDOOR & OUTDOOR applications, for signage needs in many locations like shopping centers, markets, groceries, hotels, offices airports, shops and stores, hospitals, apartments and many more.

WATCH VIDEO



Watch video at our website
www.mtdisplays.com

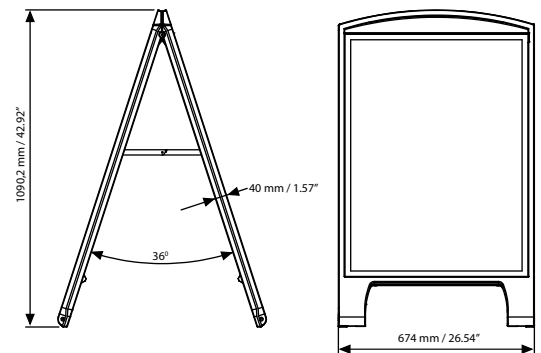
FEATURES



EXPLODED VIEW



TECHNICAL DRAWING



ARTICLES

ARTICLE	SIZE	COPY SIZE	DESCRIPTION	WEIGHT	PACKING SIZE
				WITH PACKING	*W X H X D
UPSD1200A1	594 X 841 mm	589,5 X 836,4 mm	Black	13,000 kg	720 X 1190 X 105 mm
UPSD1300A1	594 X 841 mm	589,5 X 836,4 mm	Gray	13,000 kg	720 X 1190 X 105 mm

PHYSICAL DATA

Material

Durable plastic HDPE main boards, PVC grip frames and PET anti-reflex poster covers.

Recycled Content

Up to %40 recycled content used.

Surface Finish

Black or Grey in standard and various RAL colors available. with MOQ Call for custom color requests.

Warranty

All products are guaranteed for 2 years by MT Displays with below conditions:

[Warranty Conditions](#)

Storage Conditions

Goods should be stored at 0° to 25°C in a dry place. Store in the original package.

Poster Thickness

Max. poster thickness is 2,00 mm. Any non-standard poster thickness should be indicated with order.

Installation Considerations

Street SignPro Deco is packed in a single box with an easy-to-understand instruction sheet. No tool assembly required. Setup in 20 seconds. One set includes double sided (HDPE) durable plastic boards with recessed sign areas for protecting posters, half-way-top-opening poster cover with UV resistant anti-reflex graphic protection and PVC grip profile that can insert into channel easily for changing posters, top logo areas on both sides with 300x40(h) mm max. print areas, one sided wheels and a molded-in handle for easy transport, flat folded scissors on two sides for keeping the system stable and saving space during storage.

Design Considerations

Double-sided Street SignPro Deco with Patent Protection. Suitable for Indoor and Outdoor use A1 (594x841 mm) poster size on both sides. No need to fill up water or sand as it is already constructed with heavy materials. Moulded-in handle is accessible when product is folded. Easy to carry with 11,5 kg product weight.

Cleaning and Disinfecting

Clean your displays, with damp microfiber clothes, rinsed with simply water or warm, soapy or gentle shampooed water. Avoid using vinegar, abrasive, acidic, alcohol-based or heavy cleaners or cleaners containing Ammonia. Only after cleaning the product, if needed, simply apply disinfectant or sanitizer that is in compliance with your local guidelines and regulations.

Patent

PCT/EP2017/052765



T: +90 850 433 67 85 / info@mtdisplays.com / www.mtdisplays.com

PRINT TEMPLATES

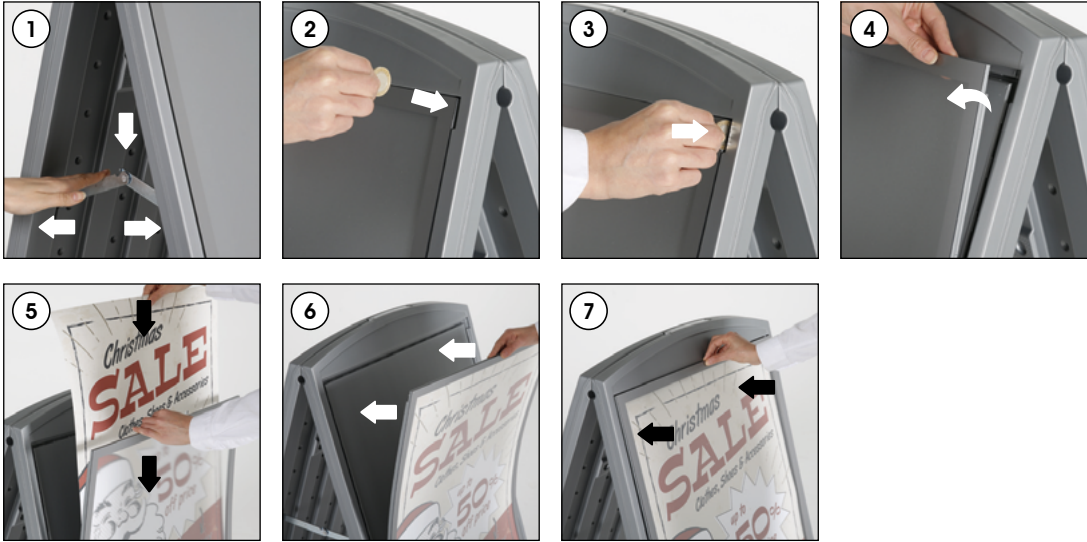
Street Signpro Deco - A1

Document Size: 604 x 851 mm (Includes Bleeds)

Finished Size: A1 (594 x 841 mm) [Print](#)

INSTALLATION INSTRUCTIONS

Street Signpro Deco / 1011531H000



Easy to carry



- Please inform the order number on the product or on the carton (e.g. 1/110001394-460) to the place that you have made the purchase if any problem with the product occurs.
- All rights reserved. All pictures, figures and writings are secured internationally by copy-right law. Infringements will be sued by civil and legal law.

This technical sheet's contents are all subject to update and modification at MT Displays' exclusive discretion. There is nothing official about this document. For final and legally binding information, please get in touch with the sales staff at MT Displays.



T: +90 850 433 67 85 / info@mtdisplays.com / www.mtdisplays.com