

TIMBER CHALK BOARD



SOLID WOOD SIDEWALK SIGNS FOR USE WITH MARKERS

Timber Chalk Board is made of solid Beech wood. Slide in panels are galvanised steel sheets which ensures for outdoor use as heavy and rust-free. The erasable surface enables for erasing the messages and transmit them to your audience while keeping as updated easily. Slide in panels are double sided to make sure timely use of A Frame. So two different messages of advertisement can be stored on the panels. Chalk or chalkboard water-based pen can be used for black surfaces to display the messages. Suitable for outdoor places such as restaurants, cafes, bars, malls, offices and many more.

KEY SELECTION ATTRIBUTES

- * Double-sided, free-standing sidewalk signs, designed for writing on with chalk or waterbase markers.
- * A perfect way to present removable messages, announcements or promotions to your audience while keeping them updated.
- * Suitable for use with 600x780mm writing area and OUTDOOR FRIENDLY and INDOOR versions.
- * One set includes double sided 40x40mm solid beech wood slide-in profile frames with lacquered finish for durability; double sided black magnetic write-on chalkboards made from steel sheets for outdoor use as heavy and rust-free and for changing notes easily by sliding-in and out from top of the frame; black hinges and scissors for keeping the system stable.
- * Easy to carry by folding black hinges and foldable structure saves space in storage. Slide in panels are double sided, two different messages of advertisement can be stored on the panels.
- * Magnetic PET covers and magnetic buttons are optional, not included in standard package. Please order separately.
- * Suitable for using chalk or chalkboard water-based pen. Chalkboard pens are not included in the original pack, should be ordered separately. No-ghost after cleaning. For spotless removing of chalk pens from surface, please use window & glass cleaner otherwise clean with damp cloth.
- * Natural or dark beech wood frames with lacquered finish and black magnetic chalkboard made from steel sheet in standard. Magnetic clear PET pockets are available in A4 and A5 size with grey, black, white and red color options.
- * Packed in a single box with an easy easy-to-understand instruction sheet. Each unit comes ready to use without any tool for assembly.



Dark Wood



Natural Wood



COLOURS IN STOCK



Natural Wood Dark Wood

SUITABLE FOR

Timber Chalk Boards can be used for INDOOR or OUTDOOR FRIENDLY applications, for signage needs in many locations like shopping centers, markets, groceries, hotels, offices airports, shops and stores, hospitals, schools, apartments and many more.

WATCH VIDEO



Watch video at our website www.mtdisplays.com

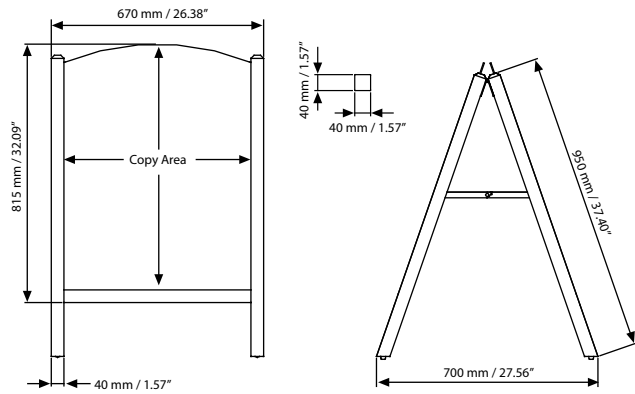
FEATURES



EXPLODED VIEW



TECHNICAL DRAWING



ARTICLES

ARTICLE	SIZE	COPY	DESCRIPTION	WEIGHT	PACKING SIZE
				WITH PACKING	*W X H X D
UWTC006078	600 X 780 mm	590 X 775 mm	Natural Wood-Outdoor	13,820 kg	690 X 1030 X 110 mm
UWTC006078	600 X 780 mm	590 X 775 mm	Dark Wood-Outdoor	13,820 kg	690 X 1030 X 110 mm
UWTCN16078	600 X 780 mm	590 X 775 mm	Natural Wood-Indoor	10,680 kg	690 X 1030 X 110 mm
UWTCDI6078	600 X 780 mm	590 X 775 mm	Dark Wood-Indoor	10,680 kg	690 X 1030 X 110 mm

OPTIONAL ACCESSORIES



Optional magnetic buttons. Packed in 10. UYUP397000



Colour chalkboard marker. 10 mm wide. 5 Pcs. / UYAKLM1251



White chalkboard marker for Wood Display. 10 mm wide. 3 Pcs / UYAKLM1250



Magnetic PET Cover Please don't forget to order

MAGNETIC PET COVER		
ARTICLE	SIZE	COLOUR
UPCMOR00A4	210 X 297 mm	Red
UPCMOB00A4	210 X 297 mm	Black
UPCMOW00A4	210 X 297 mm	White
UPCMOG00A4	210 X 297 mm	Grey
UPCMOG00A5	105 X 148 mm	Grey
UPCMOB00A5	105 X 148 mm	Black



PHYSICAL DATA

Material

Beech wood.

Surface Finish

Natural or dark beech wood frames with lacquered finish and black magnetic chalkboard made from steel sheet in standard. Magnetic clear PET pockets are available in A4 and A5 size with grey, black, white and red color options.

Warranty

All products are guaranteed for 1 years by MT Displays with below conditions:

[Warranty Conditions](#)

Storage Conditions

Goods should be stored at 0° to 25°C in a dry place. Store in the original package.

Installation Considerations

Packed in a single box with an easy-to-understand instruction sheet. Each unit comes ready to use without any tool for assembly. One set includes double-sided 40x40mm solid beech wood slide-in profile frames with lacquered finish for durability; double-sided black magnetic write-on chalkboards made from steel sheets for outdoor use as heavy and rust-free and for changing notes easily by sliding-in and out from top of the frame; black hinges and scissors for keeping the system stable. Easy to carry by folding black hinges and foldable structure saves space in storage. Slide-in panels are double-sided, two different messages of advertisement can be stored on the panels. Magnetic PET covers and magnetic buttons are optional, not included in standard package. Please order separately. Suitable for using chalk or chalkboard water-based pen. Chalkboard pens are not included in the original pack, should be ordered separately. No-ghost after cleaning. For spotless removing of chalk pens from surface, please use window & glass cleaner otherwise clean with damp cloth.

Design Considerations

Double-sided, free-standing sidewalk signs, designed for writing on with chalk or water-based markers. A perfect way to present removable messages, announcements or promotions to your audience while keeping them updated. Suitable for use with 600x780mm writing area and OUTDOOR FRIENDLY and INDOOR versions.

Cleaning and Disinfecting

Clean your displays, with damp microfiber clothes, rinsed with simply water or warm, soapy or gentle shampooed water. Avoid using vinegar, abrasive, acidic, alcohol-based or heavy cleaners or cleaners containing Ammonia. Only after cleaning the product, if needed, simply apply disinfectant or sanitizer that is in compliance with your local guidelines and regulations.

This technical sheet's contents are all subject to update and modification at MT Displays' exclusive discretion. There is nothing official about this document. For final and legally binding information, please get in touch with the sales staff at MT Displays.

