

UNIVERSAL SHOWBOARD CORK & MAGNETIC



OUTDOOR FRIENDLY BOARDS WITH A SLIM CASE DESIGN

Universal Showboard has 2 models; one with a cork backing and with a magnetic backing. It has a slim case which is 27 mm deep and 30 mm profile and hidden lock on the side. It is suitable for public places or outdoor use under a shelter.

KEY SELECTION ATTRIBUTES

- * OUTDOOR FRIENDLY, wall-mounting and lockable showboards with a slim case design in 2 different models; with cork or dry-wipe magnetic inner boards.
- * Suitable for wall mounting with single key 4xA4, double key 6xA4 and 9xA4 paper capacity sizes. Max. available size is 1200x2000mm.
- * Perfect way to offer multiple services, present/change messages, announcements and promotions in outdoor places under a shelter or public buildings like offices, hospitals, schools and more.
- * For cork model, one set includes 30mm natural silver anodised aluminium frame with 27mm depth and hidden locking; galvanised steel backing; PET-G protective cover; 2 stays at each end to keep the cover door open; cork inner board for pinning and changing notes easily; 2 keys; 4 screws and 4 anchors for installing on wall.
- * For magnetic model, one set includes 30mm natural silver anodised

- aluminium frame with 27mm depth and hidden locking; PET-G protective cover; 2 stays at each end to keep the cover door open; white painted galvanised steel inner board for pinning and changing notes easily; 2 keys; 4 screws and 4 anchors for installing on wall
- * Available for weatherproof use by inside water leakage isolation.
- * Each product includes 1 key set of single variation.
- * Lockable cover can be opened to 90 degrees.
- * Each frame with cork surface includes a set of pins. Each frame with steel surface includes a set of magnets.
- * Each unit is packed in an individual box with mounting set and easy-to-understand installation sheet.
- * Please discard the protective film on the unit before use. Please throw away the silica gel on the cork before use.



Magnetic



Cork



COLOURS IN STOCK

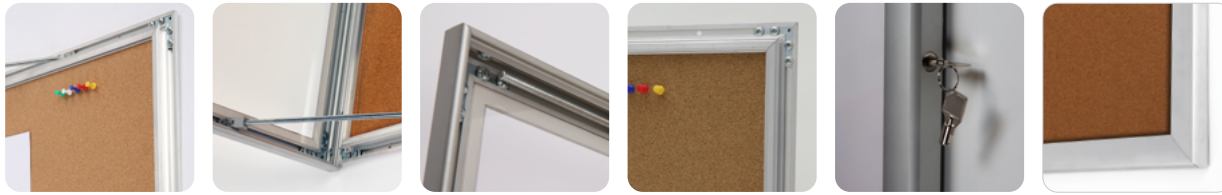


Silver

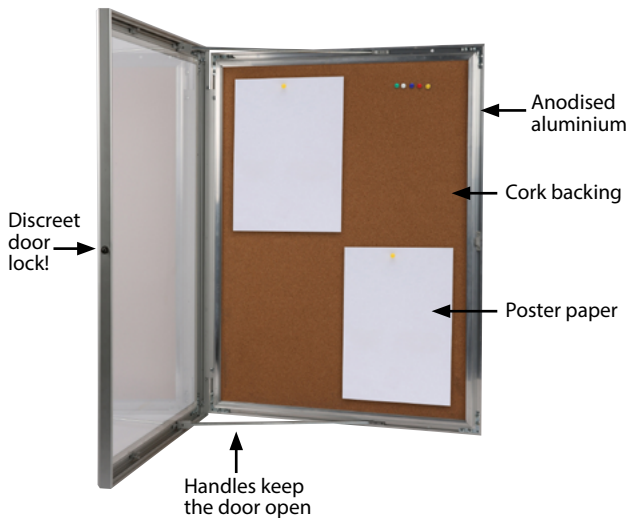
SUITABLE FOR

Universal Showboards are OUTDOOR FRIENDLY, they can be used for signage needs in outdoor places under a shelter or public buildings like shopping centers, markets, groceries, hotels, offices airports, shops and stores, hospitals, schools, apartments, banks, car dealers, restaurants, telecom companies, insurance companies, libraries, museums, travel agencies and many more.

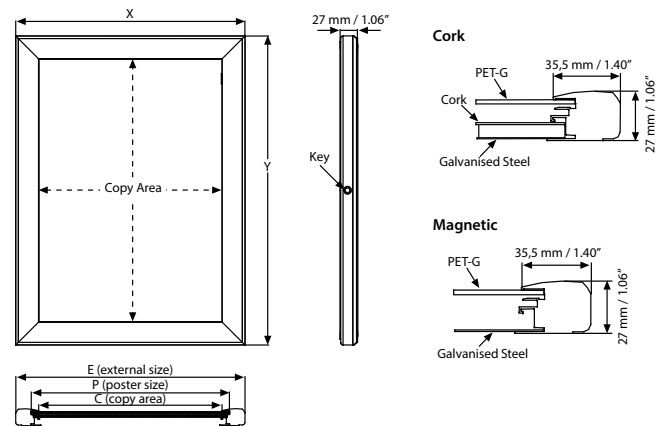
FEATURES



EXPLODED VIEW



TECHNICAL DRAWING



Size of boards for all Universal Showboard models:

	6A4		9A4		
4A4	A4	A4	A4	A4	A4
	A4	A4	A4	A4	A4
	A4	A4	A4	A4	A4

ARTICLES

CORK	MAGNETIC	EXTERNAL (x-y)	COPY	PAPER AREA	CAPACITY	KEY	WEIGHT	PACKING SIZE
USBNU104A4	USBNU204A4	560 X 730 mm	489 X 659 mm	486 X 656 mm	4 X A4	1	WITH PACKING	*W X H X D
							6,500 kg	580 X 770 X 46 mm
USBNU106A4	USBNU206A4	560 X 1050 mm	489 X 979 mm	486 X 976 mm	6 X A4	2		
							8,400 kg	580 X 1090 X 46 mm
USBNU109A4	USBNU209A4	790 X 1050 mm	719 X 979 mm	716 X 976 mm	9 X A4	2		
							11,200 kg	810 X 1090 X 46 mm

PHYSICAL DATA

Material

30mm aluminium profiles with 27mm depth, PET-G protective cover, galvanised steel backing & cork board or painted steel board.

Surface Finish

Natural silver anodized aluminium frame, PET-G protective cover, cork and/or white painted steel surfaces.

Recycled Content

Up to 78% recycled content used.

Warranty

All products are guaranteed for 3 years by MT Displays with below conditions:

[Warranty Conditions](#)

Storage Conditions

Goods should be stored at 0° to 25°C in a dry place. Store in the original package.

Installation Considerations

Universal Showboards are packed with a mounting set and easy-to-understand installation sheet. For cork model, one set includes 30mm natural silver anodised aluminium frame with 27mm depth and hidden locking; galvanised steel backing; PET-G protective cover; 2 stays at each end to keep the cover door open; cork inner board for pinning and changing notes easily; 2 keys; 4 screws and 4 anchors for installing on wall. For magnetic model, one set includes 30mm natural silver anodised aluminium frame with 27mm depth and hidden locking; PET-G protective cover; 2 stays at each end to keep the cover door open; white painted galvanised steel inner board for pinning and changing notes easily; 2 keys; 4 screws and 4 anchors for installing on wall. Each product includes 1 key set of single variation. Lockable cover can be opened to 90 degrees. Each frame with cork board includes a set of pins. Each frame with steel board includes a set of magnets. Please discard the protective film on the unit before use.

Design Considerations

OUTDOOR FRIENDLY, wall-mounting and lockable showboards with a slim case design in 2 different models; with cork or dry-wipe magnetic inner boards. Suitable for wall mounting with single key 4xA4, double key 6xA4 and 9xA4 paper capacity sizes. Max. available size is 1200x2000mm. Perfect way to offer multiple services, present/change messages, announcements and promotions in outdoor places under a shelter or public buildings like offices, hospitals, schools and more. Available for weatherproof use by inside water leakage isolation.

Cleaning and Disinfecting

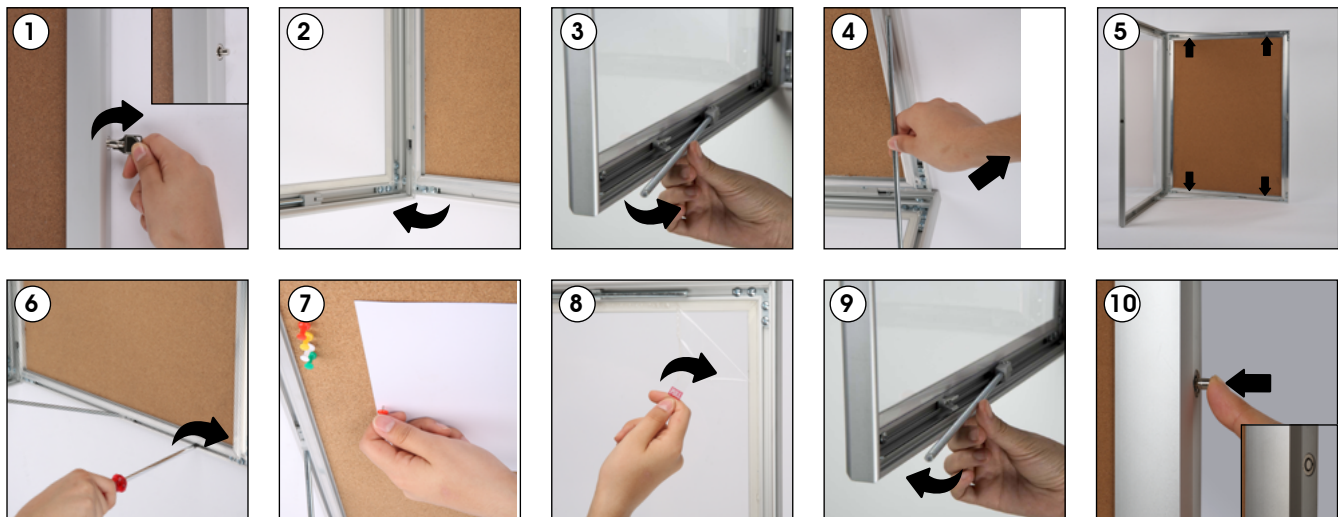
Clean your displays, with damp microfiber clothes, rinsed with simply water or warm, soapy or gentle shampooed water. Avoid using vinegar, abrasive, acidic, alcohol-based or heavy cleaners or cleaners containing Ammonia. Only after cleaning the product, if needed, simply apply disinfectant or sanitizer that is in compliance with your local guidelines and regulations.



T: +90 850 433 67 85 / info@mtdisplays.com / www.mtdisplays.com

INSTALLATION INSTRUCTIONS

Universal Showboards with Cork & Magnetic



Each product includes wall mounting accessories (4 screws & 4 anchors)

2 keys and pins for Cork model. 2 keys and magnets button for Magnetic model



Universal Showboard with Cork



Universal Showboard with Magnetic

- Please inform the order number on the product or on the carton (e.g. 1/110001394-460) to the place that you have made the purchase if any problem with the product occurs.
- All rights reserved. All pictures, figures and writings are secured internationally by copy-right law. Infringements will be sued by civil and legal law.

This technical sheet's contents are all subject to update and modification at MT Displays' exclusive discretion. There is nothing official about this document. For final and legally binding information, please get in touch with the sales staff at MT Displays.



T: +90 850 433 67 85 / info@mtdisplays.com / www.mtdisplays.com