

## WEATHERPROOF A BOARD



### DOUBLE SIDED SIDEWALK SIGNS WITH EASY SNAP OPENING WEATHERPROOF DESIGN

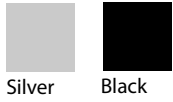
35 mm weatherproof. Suitable for use under rainy outdoor conditions. When poster is placed inside the water wick, it is protected, weatherproof. Header board and brochure basket options are present. Easy-to-open snap frame includes the anti-reflex cover in all standard A boards. Frame size alternatives are A2, A1, 500x700 mm, 700x1000 mm, 20"x30", 30"x40" mm.

### KEY SELECTION ATTRIBUTES

- \* Patent protected, double-sided Pavement Sign with easy-to-open snap frame design, suitable for weatherproof usage.
- \* Suitable for use under rainy outdoor conditions with A2 (420x594 mm), A1 (594x841 mm), B2 (500x700 mm), B1 (700x1000 mm), 20"x30" and 30"x40" poster sizes.
- \* One set includes double sided 35mm aluminium profile snap open frames with sealing and water drainage slots on bottom profiles, PET anti-reflex poster covers, PS backings, mill finish legs, hinges, and scissors for keeping the system stable.
- \* Weatherproof IP55: When poster is placed inside the water wick, it is protected.
- \* Optional Wire Header Holder, Header Board and Brochure Baskets are not included, should be ordered separately.
- \* Please use pull sticker to take off cover.
- \* Natural silver-anodized, black in standard and various RAL colors available with antimicrobial powder coating.
- \* Packed in a single box with easy mounting instruction sheet. No tool assembly.

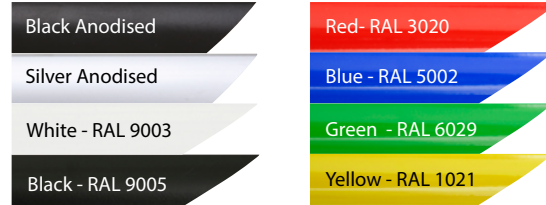


## COLOURS IN STOCK



Silver Black

## COLOUR OPTIONS



## SUITABLE FOR

Weatherproof A Boards can be used for INDOOR and OUTDOOR applications, for signage needs in many locations like shopping centers, markets, groceries, hotels, offices airports, shops and stores, hospitals, schools, apartments and many more.

## WATCH VIDEO



Watch video at our website  
www.mtdisplays.com

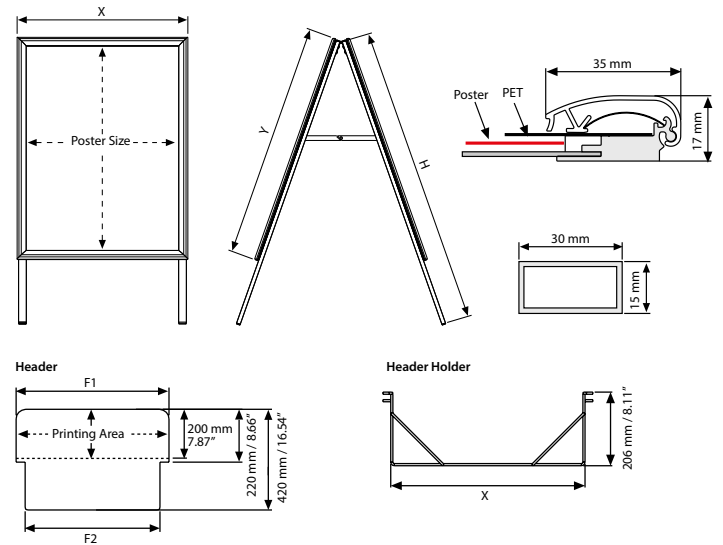
## FEATURES



## EXPLODED VIEW



## TECHNICAL DRAWING



## ARTICLES

| ARTICLE    | POSTER        | X      | Y       | H       | WEIGHT       | PACKING SIZE            |
|------------|---------------|--------|---------|---------|--------------|-------------------------|
|            |               |        |         |         | WITH PACKING | *W X H X D              |
| UAB3550NA2 | 420 X 594 mm  | 482 mm | 656 mm  | 950 mm  | 6,200 kg     | 510 X 1080 X 85 mm      |
| UAB3550NA1 | 594 X 841 mm  | 656 mm | 903 mm  | 1150 mm | 7,850 kg     | 720 X 1180 X 85 mm      |
| UAB3550NB2 | 500 X 700 mm  | 562 mm | 762 mm  | 950 mm  | 8,350 kg     | 630 X 1100 X 85 mm      |
| UAB3550NB1 | 700 X 1000 mm | 762 mm | 1062 mm | 1250 mm | 13,350 kg    | 800 X 1390 X 85 mm      |
| UAB3550N22 | 22" X 28"     | 24.49" | 28.86"  | 37.40"  | 17.636 lbs   | 25.39" X 41.34" X 4.33" |

| HEADER     |        |        | WEIGHT       |
|------------|--------|--------|--------------|
| ARTICLE    | F1     | F2     | WITH PACKING |
| UYTT3550A2 | 482 mm | 405 mm |              |
| UYTT3550A1 | 657 mm | 580 mm |              |
| UYTT3550B2 | 561 mm | 486 mm |              |
| UYTT3550B1 | 761 mm | 686 mm |              |
| UYTT355022 | 620 mm | 545 mm |              |

| HEADER HOLDER |        | WEIGHT       |
|---------------|--------|--------------|
| ARTICLE       | X      | WITH PACKING |
| UYFT3550A2    | 425 mm |              |
| UYFT3550A1    | 600 mm |              |
| UYFT3550B2    | 506 mm |              |
| UYFT3550B1    | 706 mm |              |
| UYFT355022    | 565 mm |              |

## OPTIONAL ACCESSORIES



A Board header  
(4 mm PVC Foam).



A board basket A4 size  
to hang on scissors.  
UYTS3000A4



A Board wire header  
holder.



T: +90 850 433 67 85 / info@mtdisplays.com / www.mtdisplays.com

# PHYSICAL DATA

## Material

32mm aluminium profile click clack snap open frame, PET anti-reflex poster cover, galvanised metal PS backing. PVC Foam optional header.

## Poster Material & Thickness

0,10 – 0,20 mm with gasket/water wick for standard product. Max. poster thickness is 2 mm for low density rigid posters such as PVC foam, PP, etc. Any non-standard poster thickness should be indicated with order.

## Surface Finish

Natural silver-anodized, or black in standard and various RAL colors available with antimicrobial powder coating. Call for custom color requests.

## Recycled Content

Up to 78% recycled content used.

## Warranty

All products are guaranteed for 2 years by MT Displays with below conditions:  
[Warranty Conditions](#)

## Installation Considerations

Weatherproof A Boards are packed in a single box with an easy-to-understand instruction sheet. No tool assembly. One set includes double sided 35mm aluminium profile snap open frames with sealing and water drainage slots on bottom profiles, PET anti-reflex poster covers, PS backings, mill finish legs, hinges, and scissors for keeping the system stable. Please use pull sticker to take off cover. Optional Wire Header Holder, Header Board and Brochure Baskets are not included, should be ordered separately.

## Storage Conditions

Goods should be stored at 0° to 25°C in a dry place. Store in the original package.

## Design Considerations

Patent protected, double-sided Pavement Sign with easy-to-open snap frame design. Suitable for use under rainy outdoor conditions with A2 (420x594 mm), A1 (594x841 mm), B2 (500x700 mm), B1 (700x1000 mm), 20"x30" and 30"x40" poster sizes. Weatherproof IP55: When poster is placed inside the water wick, it is protected. Suitable for silk screen printing, max. letter height is 16mm.

## Cleaning and Disinfecting

Clean your displays, with damp microfiber clothes, rinsed with simply water or warm, soapy or gentle shampooed water. Avoid using vinegar, abrasive, acidic, alcohol-based or heavy cleaners or cleaners containing Ammonia. Only after cleaning the product, if needed, simply apply disinfectant or sanitizer that is in compliance with your local guidelines and regulations.

## Patent

PCT/EP2018/060515

# PRINT TEMPLATES

## Weatherproof A Board - A2

Document Size: 430 x 604 mm (Includes Bleeds)  
Finished Size: A2 (420 x 594 mm) [Print](#)

## Weatherproof A Board - A1

Document Size: 604 x 851 mm (Includes Bleeds)  
Finished Size: A1 (594 x 841 mm) [Print](#)

## Weatherproof A Board - B2

Document Size: 510 x 710 mm (Includes Bleeds)  
Finished Size: B2 (500 x 700 mm) [Print](#)

## Weatherproof A Board - B1

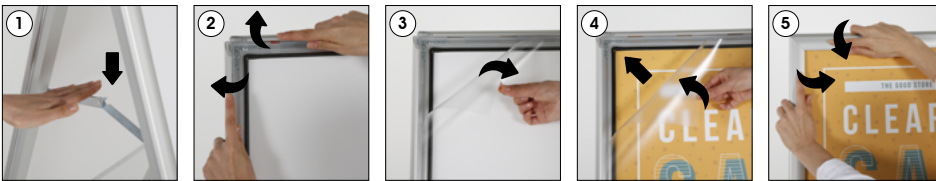
Document Size: 710 x 1010 mm (Includes Bleeds)  
Finished Size: B1 (700 x 1000 mm) [Print](#)

## Weatherproof A Board - 22" x 28"

Document Size: 22.4" x 28.4" (Includes Bleeds)  
Finished Size: 22" x 28" (558.8 x 711.2 mm)

# INSTALLATION INSTRUCTIONS

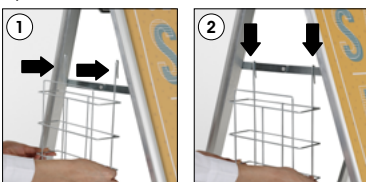
## Weatherproof A Board / 1007029



### Optional Header & Header Holder



### Optional Basket



Note: Wire header holder, PVC Foam header and baskets are optional.



- Please inform the order number on the product or on the carton (e.g. 1/110001394-460) to the place that you have made the purchase if any problem with the product occurs.
- All rights reserved. All pictures, figures and writings are secured internationally by copy-right law. Infringements will be sued by civil and legal law.

This technical sheet's contents are all subject to update and modification at MT Displays' exclusive discretion. There is nothing official about this document. For final and legally binding information, please get in touch with the sales staff at MT Displays.



T: +90 850 433 67 85 / [info@mtdisplays.com](mailto:info@mtdisplays.com) / [www.mtdisplays.com](http://www.mtdisplays.com)