

WOOD A BOARD INDOOR



SOLID WOOD SIDEWALK SIGNS FOR USE WITH MARKERS

It is made of solid wood. MDF backing is suitable for closed areas.

The erasable surface enables for erasing the messages and transmit them to your audience while keeping as updated.

Chalkboard pen can be used for black surfaces to display the messages. Also water-based and scent free markers are proper for writing on it. Suitable for indoor places such as restaurants, cafes, bars, malls, offices and education centers.

KEY SELECTION ATTRIBUTES

- * Double-sided, free-standing sidewalk signs, designed for writing on with chalk or waterbase markers.
- * A perfect way to present removable messages, announcements or promotions to your audience while keeping them updated.
- * One set includes double sided solid beech wood profile frames with 22mm depth, black write-on chalkboards with MDF backing for changing notes easily, black hinges and scissors for keeping the system stable.
- * Suitable for INTERIOR use with A1 (600x800mm) writing area.
- * Natural beech wood frames with lacquered finish and black chalk surface with MDF backing in standard.
- * Easy to carry by folding black hinges and foldable structure saves space in storage.
- * Suitable for using chalk or chalkboard water-based pen. Chalkboard pens are not included in the original pack, should be ordered separately. No-ghost after cleaning. For spotless removing of chalk pens from surface, please use window & glass cleaner otherwise clean with damp cloth.
- * Packed in a single box with an easy easy-to-understand instruction sheet. Each unit comes ready to use without any tool for assembly.



COLOURS IN STOCK



Natural Wood

SUITABLE FOR

Wood A Boards can be used for INDOOR applications, for signage needs in many locations like shopping centers, markets, groceries, hotels, offices airports, shops and stores, hospitals, schools, apartments and many more.

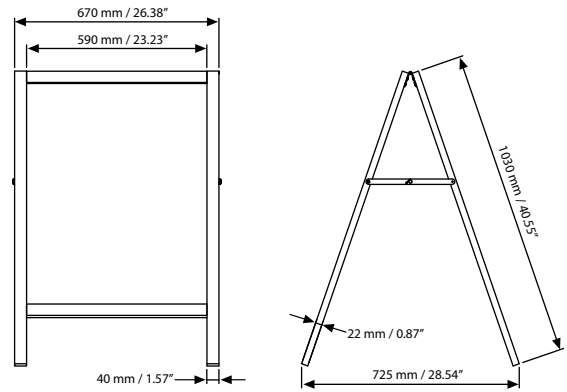
FEATURES



EXPLODED VIEW



TECHNICAL DRAWING



ARTICLES

ARTICLE	SIZE	DESCRIPTION	WEIGHT	PACKING SIZE
			WITH PACKING	*W X H X D
UWID006078	590 X 780 mm	Black chalkboard	8,470 kg	715 X 1050 X 55 mm

OPTIONAL ACCESSORIES



Colour chalkboard marker. 10 mm wide.
5 Pcs. / UYAKLM1251



White chalkboard marker for Wood Display. 10 mm wide. 3 Pcs / UYAKLM1250

PHYSICAL DATA

Material

Solid beech wood frames, write-on boards with MDF backing.

Surface Finish

Natural beech wood frames with lacquered finish and black chalk surface with MDF backing in standard.

Warranty

All products are guaranteed for 1 years by MT Displays with below conditions:
[Warranty Conditions](#)

Storage Conditions

Goods should be stored at 0° to 25°C in a dry place. Store in the original package.

Installation Considerations

Packed in a single box with an easy easy-to-understand instruction sheet. Each unit comes ready to use without any tool for assembly. One set includes double sided solid beech wood profile frames with 22mm depth, black write-on chalkboards with MDF backing for changing notes easily, black hinges and scissors for keeping the system stable. Easy to carry by folding black hinges and foldable structure saves space in storage. Suitable for using chalk or chalkboard water-based pen. Chalkboard pens are not included in the original pack, should be ordered separately. No-ghost after cleaning. For spotless removing of chalk pens from surface, please use window & glass cleaner otherwise clean with damp cloth.

Design Considerations

Double-sided, free-standing sidewalk signs, designed for writing on with chalk or waterbase markers. A perfect way to present removable messages, announcements or promotions to your audience while keeping them updated. Suitable for INTERIOR use with A1 (600x800mm) writing area.

Cleaning and Disinfecting

Clean your displays, with damp microfiber clothes, rinsed with simply water or warm, soapy or gentle shampooed water. Avoid using vinegar, abrasive, acidic, alcohol-based or heavy cleaners or cleaners containing Ammonia. Only after cleaning the product, if needed, simply apply disinfectant or sanitizer that is in compliance with your local guidelines and regulations.

This technical sheet's contents are all subject to update and modification at MT Displays' exclusive discretion. There is nothing official about this document. For final and legally binding information, please get in touch with the sales staff at MT Displays.



T: +90 850 433 67 85 / info@mtdisplays.com / www.mtdisplays.com