

WOOD A BOARD OUTDOOR



SOLID WOOD SIDEWALK SIGNS FOR USE WITH MARKERS

It is made of solid wood. Aluminum composite backing provides availability for open air usage for Outdoor A Board. The erasable surface enables for erasing the messages and transmit them to your audience while keeping as updated easily. Chalkboard pen can be used for black surfaces to display the messages. Also water-based and scent free markers are proper for writing on it. Suitable for outdoor places such as restaurants, cafes, bars, malls, offices and education centers.

KEY SELECTION ATTRIBUTES

- * Double-sided, free-standing sidewalk signs, designed for writing on with chalk or waterbase markers.
- * A perfect way to present removable messages, announcements or promotions to your audience while keeping them updated.
- * OUTDOOR FRIENDLY, suitable for use with 460x680mm, 590x780 and 590x1190mm writing areas.
- * One set includes double sided solid beech wood profile frames with 22mm depth, black magnetic write-on chalkboards with steel backing for changing notes easily, black hinges and scissors for keeping the system stable. Hinge and chain is different on 460x680 mm than other sizes which aims to increase performance of small size.
- * Magnetic PET covers and magnetic buttons are optional, not included in standard package. Please order separately.
- * Easy to carry by folding black hinges and foldable structure saves space in storage.
- * Suitable for using chalk or chalkboard water-based pen. Chalkboard pens are not included in the original pack, should be ordered separately. No-ghost after cleaning. For spotless removing of chalk pens from surface, please use window & glass cleaner otherwise clean with damp cloth.
- * Natural or dark beech wood frames with lacquered finish and black magnetic chalk surface with steel backing in standard. Magnetic clear PET pockets are available in A4 and A5 size with grey, black, white, red color options.
- * Packed in a single box with an easy easy-to-understand instruction sheet. Each unit comes ready to use without any tool for assembly.



Dark Wood - 590x780 mm

Natural Wood - 460x680 mm

Dark Wood - 590x1190 mm



COLOURS IN STOCK



Natural Wood Dark Wood

SUITABLE FOR

Wood A Boards can be used for OUTDOOR applications, for signage needs in many locations like shopping centers, markets, groceries, hotels, offices airports, shops and stores, hospitals, schools, apartments and many more.

WATCH VIDEO



Watch video at our website www.mtdisplays.com

FEATURES

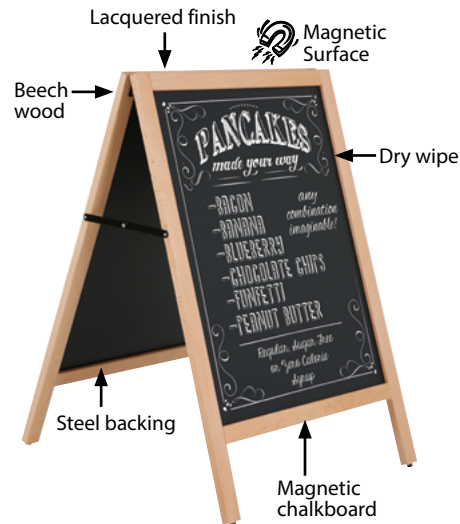
Natural Wood 590x780 mm



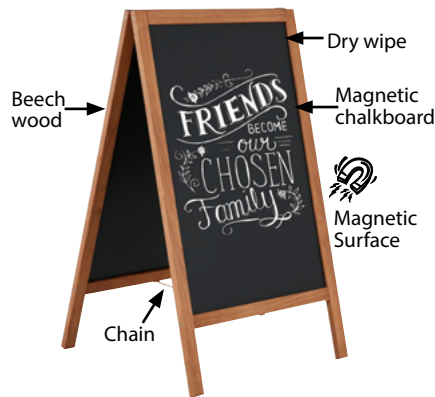
Dark Wood 460x680 mm



EXPLODED VIEW

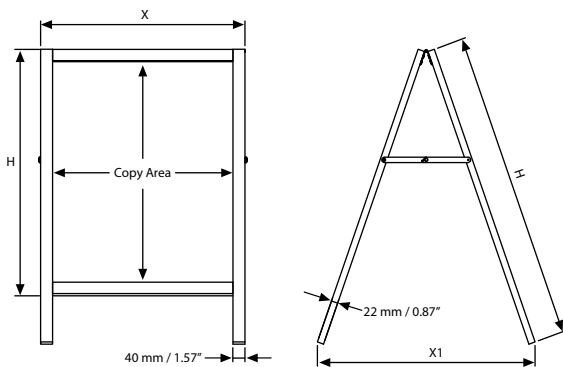


Natural Wood - 590x780 mm



Dark Wood - 460x680 mm

TECHNICAL DRAWING



ARTICLES

ARTICLE	EXTERNAL (x-y)	SIZE	DESCRIPTION	H	X1	WEIGHT	PACKING SIZE
						WITH PACKING	*W X H X D
UWOD004668	540 X 760 mm	460 X 680 mm	Natural Wood	950 mm	510 mm	7,800 kg	560 X 950 X 60 mm
UWOD004668	540 X 760 mm	460 X 680 mm	Dark Wood	950 mm	510 mm	7,800 kg	560 X 950 X 60 mm
UWOD006078	670 X 860 mm	590 X 780 mm	Natural Wood	1050 mm	560 mm	8,470 kg	715 X 1050 X 55 mm
UWOD006078	670 X 860 mm	590 X 780 mm	Dark Wood	1050 mm	560 mm	8,470 kg	715 X 1050 X 55 mm
UWOD006012	670 X 1270 mm	590 X 1190 mm	Natural Wood	1450 mm	750 mm	15,160 kg	715 X 1490 X 60 mm
UWOD006012	670 X 1270 mm	590 X 1190 mm	Dark Wood	1450 mm	750 mm	15,160 kg	715 X 1490 X 60 mm



T: +90 850 433 67 85 / info@mtdisplays.com / www.mtdisplays.com

OPTIONAL ACCESSORIES



Optional magnetic buttons. Packed in 10. UYUP397000



Colour chalkboard marker. 10 mm wide. 5 Pcs. / UYAKLM1251



White chalkboard marker for Wood Display. 10 mm wide. 3 Pcs / UYAKLM1250



Magnetic PET Cover
Please don't forget to order

MAGNETIC PET COVER		
ARTICLE	SIZE	COLOUR
UPCMOR00A4	210 X 297 mm	Red
UPCMOB00A4	210 X 297 mm	Black
UPCMOW00A4	210 X 297 mm	White
UPCMOG00A4	210 X 297 mm	Grey
UPCMOG00A5	105 X 148 mm	Grey
UPCMOB00A5	105 X 148 mm	Black

PHYSICAL DATA

Material

Solid beech wood frames, write-on boards with steel backing.

Surface Finish

Natural or dark beech wood frames with lacquered finish and black magnetic chalk surface with steel backing in standard. Magnetic clear PET pockets are available in A4 and A5 size with grey, black, white, red color options.

Warranty

All products are guaranteed for 1 years by MT Displays with below conditions:

[Warranty Conditions](#)

Storage Conditions

Goods should be stored at 0° to 25°C in a dry place. Store in the original package.

Installation Considerations

Packed in a single box with an easy-to-understand instruction sheet. Each unit comes ready to use without any tool for assembly. One set includes double-sided solid beech wood profile frames with 22mm depth, black magnetic write-on chalkboards with steel backing for changing notes easily, black hinges and scissors for keeping the system stable. Hinge and chain is different on 460x680 mm than other sizes which aims to increase performance of small size. Magnetic PET covers and magnetic buttons are optional, not included in standard package. Please order separately. Easy to carry by folding black hinges and foldable structure saves space in storage. Suitable for using chalk or chalkboard water-based pen. Chalkboard pens are not included in the original pack, should be ordered separately. No-ghost after cleaning. For spotless removing of chalk pens from surface, please use window & glass cleaner otherwise clean with damp cloth.

Design Considerations

Double-sided, free-standing sidewalk signs, designed for writing on with chalk or waterbase markers. A perfect way to present removable messages, announcements or promotions to your audience while keeping them updated. OUTDOOR FRIENDLY, suitable for use with 460x680mm, 590x780 and 590x1190mm writing areas.

Cleaning and Disinfecting

Clean your displays, with damp microfiber clothes, rinsed with simply water or warm, soapy or gentle shampooed water. Avoid using vinegar, abrasive, acidic, alcohol-based or heavy cleaners or cleaners containing Ammonia. Only after cleaning the product, if needed, simply apply disinfectant or sanitizer that is in compliance with your local guidelines and regulations.

This technical sheet's contents are all subject to update and modification at MT Displays' exclusive discretion. There is nothing official about this document. For final and legally binding information, please get in touch with the sales staff at MT Displays.



T: +90 850 433 67 85 / info@mtdisplays.com / www.mtdisplays.com