

## WOODEN FOLDING LUGGAGE RACK



### DECORATIVE RACKS FOR ORGANIZING LUGGAGES

Wood Folding Luggage Rack is made of beech wood. Lacquered finish is applied for long term use. It is equipped with woven strips. Its shelf has 90 kg carriage capacity. It has with or without shelf options. Foldable flat design is space saving.

### KEY SELECTION ATTRIBUTES

- \* Foldable Luggage Racks are decorative and stylish solutions, designed for carrying and organizing luggages, bags, boxes and more.
- \* Suitable for INDOOR use with 90kg carriage capacity and 714x449x554mm(height) size.
- \* One set includes solid beech wood main body with lacquered finish for durability, 4 woven strips for carrying the luggages and optional foldible beech wood shelf below for creating additional space for holding luggages.
- \* Foldible flat design allows for saving from space.
- \* Natural, dark or black beech wood racks with lacquered finish in standard.
- \* The product is packed in a single box with an easy-to understand instruction sheet.
- \* Assembly in 10 seconds.



Natural with Shelf



Black without Shelf



Natural without Shelf



Dark with Shelf



## COLOURS IN STOCK



Natural Wood    Dark Wood

Black

## SUITABLE FOR

Wooden Folding Luggage Rack can be used for INDOOR applications, for signage needs in many locations like shopping centers, markets, groceries, hotels, offices airports, shops and stores, hospitals, schools, apartments and many more.

## WATCH VIDEO

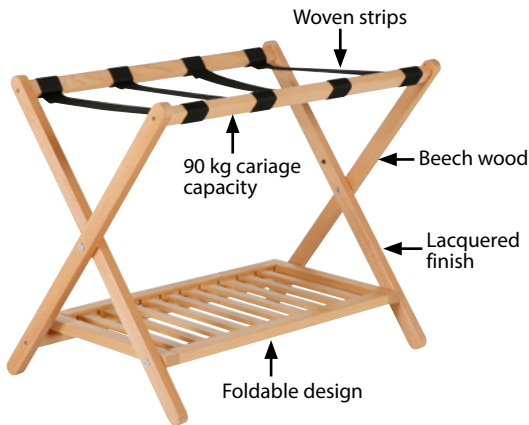


Watch video at our website  
www.mtdisplays.com

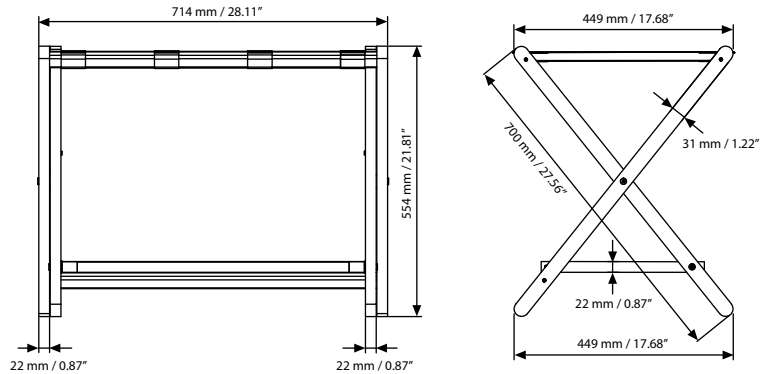
## FEATURES



## EXPLODED VIEW



## TECHNICAL DRAWING



## ARTICLES

WITHOUT SHELF	WITH SHELF	DESCRIPTION	WEIGHT	PACKING SIZE
			WITH PACKING	*W X H X D
UWFLR1N000	UWFLR2N000	Natural Wood	3,900 kg	730 X 740 X 80 mm
UWFLR1D000	UWFLR2D000	Dark Wood	3,900 kg	730 X 740 X 80 mm
UWFLR1B000	UWFLR2B000	Black	3,900 kg	730 X 740 X 80 mm

## PHYSICAL DATA

### Material

Beech wood. Woven strips

### Surface Finish

Natural, dark or black beech wood racks with lacquered finish in standard.

### Warranty

All products are guaranteed for 1 years by MT Displays with below conditions:

[Warranty Conditions](#)

### Storage Conditions

Goods should be stored at 0° to 25°C in a dry place. Store in the original package.

### Installation Considerations

The product is packed in a single box with an easy-to-understand instruction sheet. Assembly in 10 seconds. One set includes solid beech wood main body with lacquered finish for durability, 4 woven strips for carrying the luggages and optional foldible beech wood shelf below for creating additional space for holding luggages. Foldible flat design allows for saving from space.

### Design Considerations

Foldable Luggage Racks are decorative and stylish solutions, designed for carrying and organizing luggages, bags, boxes and more. Suitable for INDOOR use with 90kg carriage capacity and 714x449x554mm(height) size.

### Cleaning and Disinfecting

Clean your displays, with damp microfiber clothes, rinsed with simply water or warm, soapy or gentle shampooed water. Avoid using vinegar, abrasive, acidic, alcohol-based or heavy cleaners or cleaners containing Ammonia. Only after cleaning the product, if needed, simply apply disinfectant or sanitizer that is in compliance with your local guidelines and regulations.

This technical sheet's contents are all subject to update and modification at MT Displays' exclusive discretion. There is nothing official about this document. For final and legally binding information, please get in touch with the sales staff at MT Displays.



T: +90 850 433 67 85 / info@mtdisplays.com / www.mtdisplays.com