

## WOOD PORTABLE EASEL



### PRACTICAL FOR PRESENTING ADS, MENUS, PROMOTIONS, MESSAGES AND NOTES

Practical and foldable, Wood Portable Easel is a good solution for presentation for business and art purposes. Its modern and traditional look will create a huge impact on your advertisement. You can adjust the mobile peg depending on the size of your picture. It is made of beech wood. It is suitable for both outdoor and indoor usage as it is made of beech wood. It is packed assembled in a sturdy box. The perfect way to get attention for display marketing advertisements, restaurant menu, promotions, important messages or any personal notes. It can be used in a multipurpose setting, such as of business, office, outdoors, markets, cafes, events like conventions, weddings, birthdays, parties and more.

### KEY SELECTION ATTRIBUTES

- \* Practical and foldable Beech Wood Portable Easel.
- \* Dark Wood and Natural Wood options with combination of a modern and traditional look.
- \* Perfect way to present/change the posters/messages without magnets or pins.
- \* One set includes beech wood body, adjustable mobile pegs, locking plate and soft feet.
- \* Optional accessories like wood frames, magnetic glassboards, opti or snap frames, frameless frames or frameboards are not included.
- \* You can adjust the mobile peg depending on the size of picture.
- \* 50mm shelf depth and 5 different display height options.
- \* Ideal for presenting, ads, menus, promotions, messages and notes.
- \* Easy to fold and open the system with soft feet.
- \* Suitable for both outdoor and indoor usage.
- \* Max carriage capacity 8kg/17,60lbs.
- \* Packed unassembled in a sturdy box.



Dark Wood



Natural



## COLOURS IN STOCK



Natural Wood    Dark Wood

## SUITABLE FOR

Wood Portable Easels can be used for INDOOR and OUTDOOR applications, for signage needs in many locations like shopping centers, markets, groceries, hotels, offices airports, shops and stores, hospitals, schools, apartments and many more.

## WATCH VIDEO

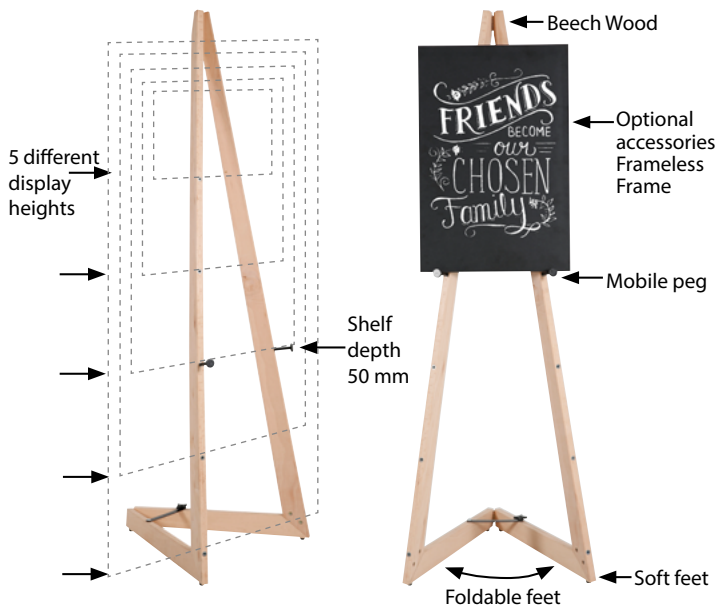


Watch video at our website  
www.mtdisplays.com

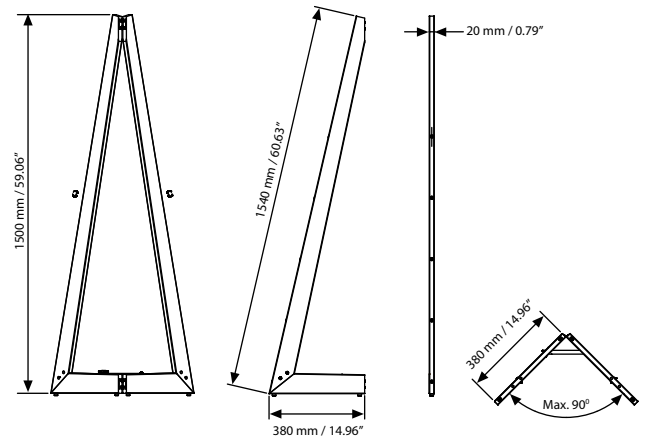
## FEATURES



## EXPLODED VIEW



## TECHNICAL DRAWING



## ARTICLES

ARTICLE	DESCRIPTION	WEIGHT	PACKING SIZE
		WITH PACKING	*W X H X D
UWPESLN010	Natural Wood	3,950 kg	150 X 1670 X 50 mm
UWPESLD010	Dark Wood	3,950 kg	150 X 1670 X 50 mm

## OPTIONAL ACCESSORIES



Colour chalkboard marker. 10 mm wide. 5 Pcs. / UYAKLM1251



White chalkboard marker for Wood Display. 10 mm wide. 3 Pcs / UYAKLM1250



Opti Frame 25 mm A2, A1, A0, B2, B1, B0, 22"x28", 20"x30", 24"x36", 30"x40"



Snap Frame 25 mm A2, A1, A0, B2, B1, B0, 22"x28", 20"x30", 24"x36", 30"x40"



Magnetic Glassboard. Black, Red, White colours. 400x600 mm, 600x900 mm



Frameless Frame. 400x600 mm, 600x900 mm, 600x800 mm.



Easy Wood Frame. Natural wood, Dark wood. 480x680 mm, 680x980 mm, 680x880 mm.



Frameboard 9 mm Cork, Magnetic, M&C 4xA4, 6xA4



CHALKBOARD PANEL UYPBAD1010 UYPBAD1020



T: +90 850 433 67 85 / info@mtdisplays.com / www.mtdisplays.com

# PHYSICAL DATA

## Material

Easel, made of Beech Wood.

## Surface Finish

Dark Wood or Natural Wood options with combination of a modern and traditional look.

## Warranty

All products are guaranteed for 1 years by MT Displays with below conditions:  
[Warranty Conditions](#)

## Installation Considerations

Packed unassembled in a sturdy box with an easy to understand instruction. One set includes beech wood body, adjustable mobile pegs and locking plate. Assembly in 10 seconds. Easy to fold, open

and lock the feet. Frame is not included. Please order the frame accessories separately. Max carriage capacity 8kg/17,60lbs.

## Storage Conditions

Goods should be stored at 0° to 25°C in a dry place. Store in the original package.

## Design Considerations

It holds frames from B2 up to A0. You can adjust the mobile peg with 5 different display height options depending on the size of picture frame.

or frameboards. Mobile pegs creates 50mm shelf depth for displaying the frames.

## Cleaning and Disinfecting

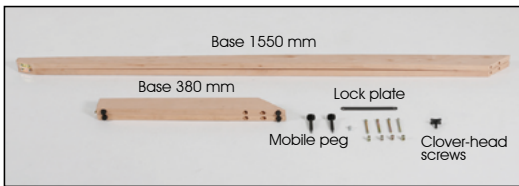
Clean your displays, with damp microfibre clothes, rinsed with simply water or warm, soapy or gentle shampooed water. Avoid using vinegar, abrasive, acidic, alcohol-based or heavy cleaners or cleaners containing Ammonia. Only after cleaning the product, if needed, simply apply disinfectant or sanitizer that is in compliance with your local guidelines and regulations.

## Poster Material & Thickness

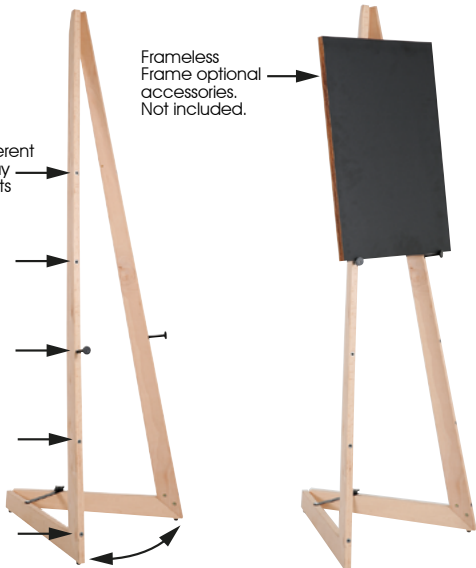
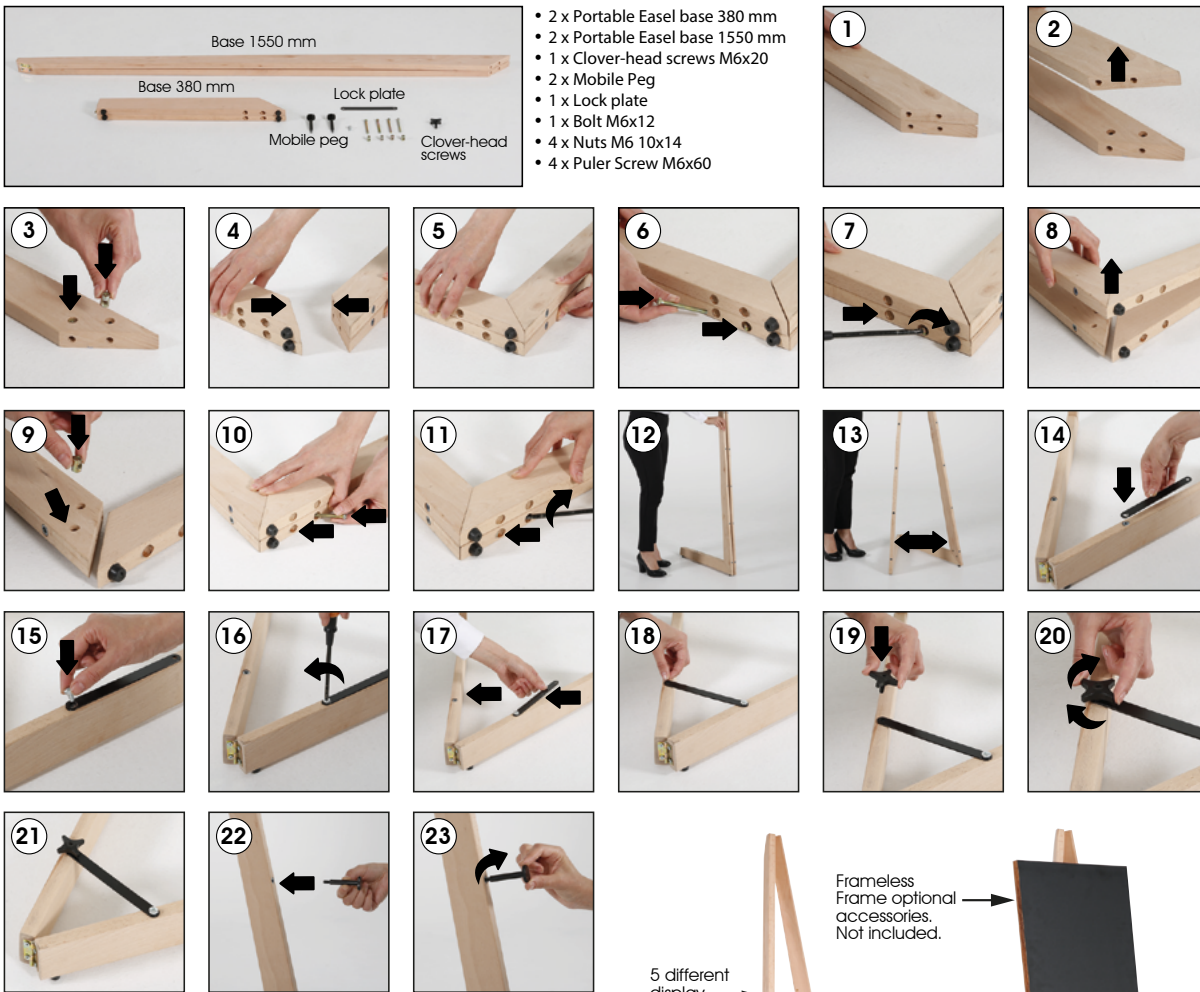
Wood Portable Easel is ideal for using with accessories like wood frames, magnetic glassboards, opti/snap frames, frameless frames

# INSTALLATION INSTRUCTIONS

## Portable Wood Easel / 1011809H000



- 2 x Portable Easel base 380 mm
- 2 x Portable Easel base 1550 mm
- 1 x Clover-head screws M6x20
- 2 x Mobile Peg
- 1 x Lock plate
- 1 x Bolt M6x12
- 4 x Nuts M6 10x14
- 4 x Puler Screw M6x60



• Please inform the order number on the product or on the carton (e.g. 1/110001394-460) to the place that you have made the purchase if any problem with the product occurs.  
 • All rights reserved. All pictures, figures and writings are secured internationally by copy-right law. Infringements will be sued by civil and legal law.

This technical sheet's contents are all subject to update and modification at MT Displays' exclusive discretion. There is nothing official about this document. For final and legally binding information, please get in touch with the sales staff at MT Displays.



T: +90 850 433 67 85 / info@mtdisplays.com / www.mtdisplays.com