

## WOOD WINDPRO



### DOUBLE SIDED SIDEWALK SIGNS WITH FLEXIBLE SPRING DESIGN

The Patent protected double sided Wood WindPro is made of beech wood. Its base is made of sturdy HDPE. Lacquered finish is applied on the frame for long term outdoor use. The chalk surface is suitable for chalk pen use and it is magnetic. You can add your advertisements and announcements with using magnetic PET cover, magnets or you can write on it. PET cover, magnets and writable surface allows you to change and organize your notes currently. Strong springs keep the product in balance under windy weather conditions. It is tested against wind up to 90km/h.

### KEY SELECTION ATTRIBUTES

- \* Double-sided Fir Wood Pavement Sign with Sliding-in magnetic chalkboard and swinging steel spring design.
- \* Patent protected Wood WindPro is heavy and robust pavement sign for OUTDOOR use with 2 main parts: wood frame with chalkboard and the water base.
- \* Outdoorfriendly & Wind Resistant: Suitable for windy outdoor conditions. Tested against wind up to 90km/h. This product is not waterproof, but suitable for outdoor use.
- \* Suitable for using chalk pen, magnetic PET pocket and magnet pin with 460x680mm, 590x780mm writing area.
- \* One set includes fir wood channeled profile swing frame with lacquered finish for being durable in outdoor conditions; a double-sided black magnetic chalkboard for sliding in and out from top of the frame and changing announcements frequently; sturdy HDPE water base for stability; washers, nuts and spanners for installation.
- \* Magnetic PET cover, magnets and chalkboard markers are optional, not included in standard package, please order separately.
- \* It is recommended to carry the product with a carry tool, when the base is full with water. Carry tool is optional, not included in package, should be ordered separately.
- \* Swinging steel springs and heavy water base provides flexibility and stability.
- \* Ground wheels in upside position enable easy movement of the product.
- \* Dark fir wood frame with lacquered finish and magnetic chalkboard in black color in standard. Waterbase standard in black color, other colors are available upon request.
- \* Packed unassembled in 2 boxes with an easy-to-understand instruction sheet & fixing set. Assembly in 60 seconds.
- \* Please use the wrench enclosed and tighten carefully. If tightened too much, the base can breach.



Magnetic pet is an additional option, please do not forget to order

## SUITABLE FOR

Wood WindPro can be used for INDOOR and OUTDOOR applications, for signage needs in many locations like shopping centers, markets, groceries, hotels, offices airports, shops and stores, hospitals, schools, apartments and many more.

## WATCH VIDEO FEATURES



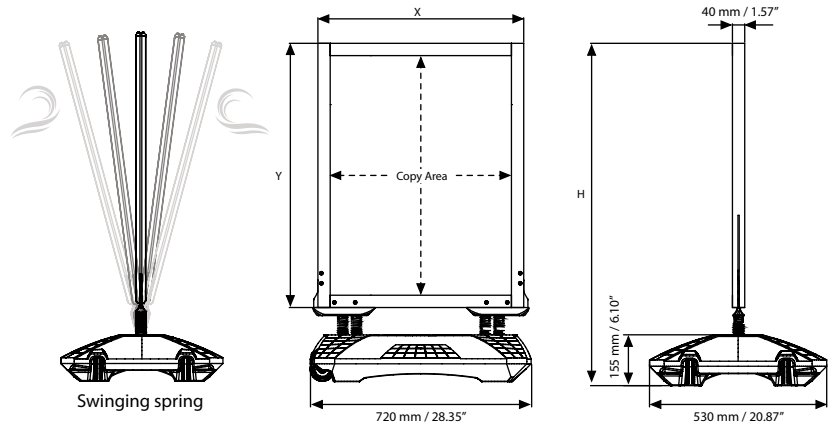
Watch video at our website [www.mtdisplays.com](http://www.mtdisplays.com)



## EXPLODED VIEW



## TECHNICAL DRAWING



## ARTICLES

| FRAME      |                |              |         | WEIGHT       | PACKING SIZE       | NEWTECH WATERBASE |              |              | WEIGHT       | PACKING SIZE       |
|------------|----------------|--------------|---------|--------------|--------------------|-------------------|--------------|--------------|--------------|--------------------|
| ARTICLE    | EXTERNAL (x-y) | COPY AREA    | H       | WITH PACKING | *W X H X D         | ARTICLE           | SIZE         | FOR          | WITH PACKING | *W X H X D         |
| USWPWOOD10 | 540 X 760 mm   | 460 X 680 mm | 1003 mm | 8,150 kg     | 590 X 1020 X 60 mm | UTWM003010        | 720 X 530 mm | 460 X 680 mm | 4,480 kg     | 555 X 750 X 178 mm |
| USWPWOOD20 | 670 X 860 mm   | 590 X 780 mm | 1103 mm | 10,100 kg    | 720 X 1120 X 60 mm |                   |              | 590 X 780 mm |              |                    |

## OPTIONAL ACCESSORIES



Optional magnetic buttons. Packed in 10. UYUP397000



Colour chalkboard marker. 10 mm wide. 5 Pcs. / UYAKLM1251



White chalkboard marker for Wood Display. 10 mm wide. 3 Pcs. / UYAKLM1250



Magnetic PET Cover Please don't forget to order

| MAGNETIC PET COVER |              |        |
|--------------------|--------------|--------|
| ARTICLE            | SIZE         | COLOUR |
| UPCMOR00A4         | 210 X 297 mm | Red    |
| UPCMB00A4          | 210 X 297 mm | Black  |
| UPCMOW00A4         | 210 X 297 mm | White  |
| UPCMOG00A4         | 210 X 297 mm | Grey   |
| UPCMOG00A5         | 105 X 148 mm | Grey   |
| UPCMB00A5          | 105 X 148 mm | Black  |



Optional carry tool. UYUP480945



T: +90 850 433 67 85 / [info@mtdisplays.com](mailto:info@mtdisplays.com) / [www.mtdisplays.com](http://www.mtdisplays.com)

## PHYSICAL DATA

### Material

Fir wood frame and magnetic chalkboard. HDPE water base.

### Surface Finish

Black Chalkboard. Magnetic surface. Dry wipe.

### Recycled Content

Up to 40% recycled content used.

### Warranty

All products are guaranteed for 3 years by MT Displays with below conditions:

[Warranty Conditions](#)

### Storage Conditions

Goods should be stored at 0° to 25°C in a dry place. Store in the original package.

### Installation Considerations

Wood WindPro is packed unassembled in 2 boxes with an easy-to-understand instruction sheet & fixing set. Assembly in 60 seconds. One set includes fir wood channeled profile swing frame with lacquered finish for being durable in outdoor conditions; a double-sided black magnetic chalkboard for sliding in and out from top of the frame and changing announcements frequently; sturdy HDPE water base for stability; washers, nuts and spanners for installation. Magnetic PET cover, magnets and chalkboard markers are optional, not included in standard package, please order separately. Please use the wrench enclosed and tighten carefully. If tightened too much, the base can breach. Ground wheels in upside position enable easy movement of the product. It is recommended to carry the product with a carry tool, when the base is full with water. Carry tool is optional, not included in package, should be ordered separately.

### Design Considerations

Double-sided Fir Wood Pavement Sign with sliding-in magnetic chalkboard and swinging steel spring design. Patent protected Wood WindPro is heavy and robust pavement sign for OUTDOOR use with 2 main parts: wood frame with chalkboard and the water base. Outdoorfriendly & Wind Resistant: Suitable for windy outdoor conditions. Tested against wind up to 90km/h. This product is not waterproof, but suitable for outdoor use. Suitable for using chalk pen, magnetic PET pocket and magnet pin with 460x680mm, 590x780mm writing area. Swinging steel springs and heavy water base provides flexibility and stability.

### Cleaning and Disinfecting

Clean your displays, with damp microfiber clothes, rinsed with simply water or warm, soapy or gentle shampooed water. Avoid using vinegar, abrasive, acidic, alcohol-based or heavy cleaners or cleaners containing Ammonia. Only after cleaning the product, if needed, simply apply disinfectant or sanitizer that is in compliance with your local guidelines and regulations.

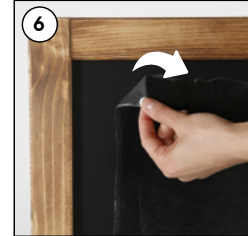
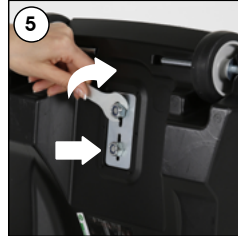
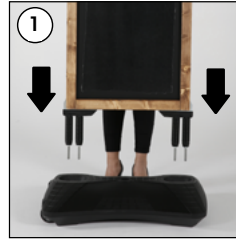


# INSTALLATION INSTRUCTIONS

## Wood WindPro / 101

### Each product package includes

- 1 x Wood Frame
- 1 x Water base
- 2 x Washer
- 4 x Nut M10
- 1 x 17 spanner



You can fill in the base by water & close the cover cap.

### Optional accessories

#### Magnetic PET



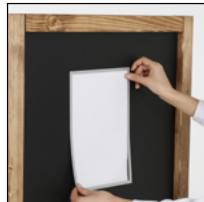
#### Magnets / UYUP397000



#### Board Marker



#### Magnetic PET Cover



UYAKLM1251 - Colour Marker  
UYAKLM1250 - White Marker

- Please inform the order number on the product or on the carton (e.g. 1/110001394-460) to the place that you have made the purchase if any problem with the product occurs.
- All rights reserved. All pictures, figures and writings are secured internationally by copy-right law. Infringements will be sued by civil and legal law.

| ARTICLE    | SIZE         | COLOUR |
|------------|--------------|--------|
| UPCMOR00A4 | 210 X 297 mm | Red    |
| UPCMOB00A4 | 210 X 297 mm | Black  |
| UPCMOW00A4 | 210 X 297 mm | White  |
| UPCMOG00A4 | 210 X 297 mm | Grey   |
| UPCMOG00A5 | 105 X 148 mm | Grey   |
| UPCMOB00A5 | 105 X 148 mm | Black  |



#### WARNING!

- Please use the wrench enclosed and tighten carefully. When tighten too much, the base can breach.
- It is recommend to carry the product with the tool as shown (optional available), when the base is full with water.

This technical sheet's contents are all subject to update and modification at MT Displays' exclusive discretion. There is nothing official about this document. For final and legally binding information, please get in touch with the sales staff at MT Displays.



T: +90 850 433 67 85 / info@mtdisplays.com / www.mtdisplays.com